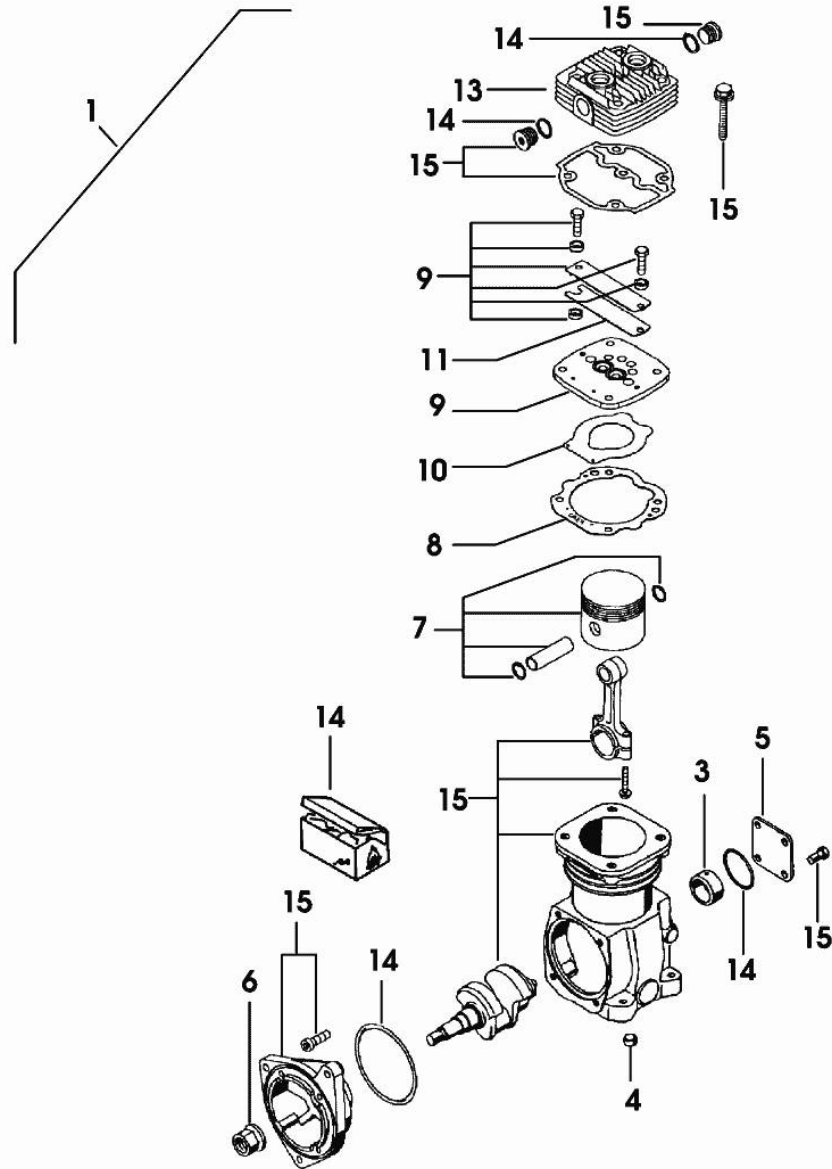


Section: ENGINE

COMPRESSOR-PARTS

Fig.	P/n	QTY	Name
1	04428408.4	1	air compressor 229 cm ³
3	04436267	1	bushing
4	01151194	2	cover
5	04436268	1	cover
6	04436276	1	nut
7	04436269	1	piston
8	04436270	1	gasket
9	04436271	1	valve
10	04436272	1	thin plate
11	04436273	1	thin plate
13	04436275	1	cover
14	04436277	1	sub-assy parts
15	0.000.0000.1		cannot be supplied



0442_6744_4

PLUG

Fig.	P/n	QTY	Name
------	-----	-----	------

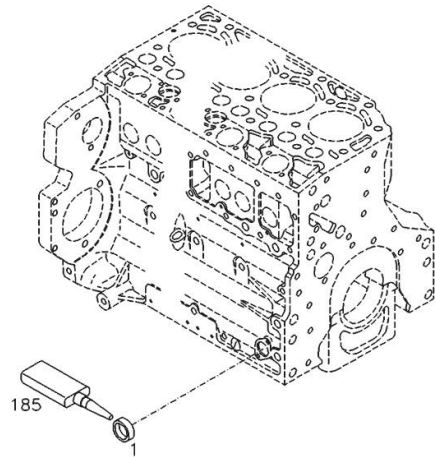
Notes:
[R7.190 S]

Engine serial number:

859205 859206 859207 859208 859209 861108 861109 861110 861111 861112 861113 861114 875554 875555 875556
875557 875558 875559 875560 875561 890218 954488 954489 954490 954491 954492 954493 954494 954495 954496
954497 974668 974669 974670 974671 974672 974673 974674 974675 974676 974677

1	01179634	1	plug H 2860 -A36-ST-FE/ZNPHR
185	01016127	1	sealing compound ml. 50 H 0699 -DEUTZDW72-50ML

001



Section: ENGINE
FASTENINGS

Fig.	P/n	QTY	Name
------	-----	-----	------

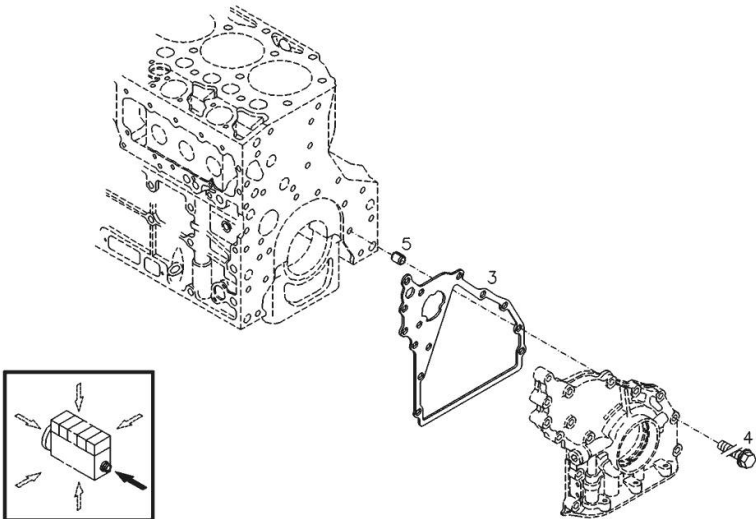
Notes:
 [R7.190 S]

Engine serial number:

859205 859206 859207 859208 859209 861108 861109 861110 861111 861112 861113 861114 875554 875555 875556
 875557 875558 875559 875560 875561 890218 954488 954489 954490 954491 954492 954493 954494 954495 954496
 954497 974668 974669 974670 974671 974672 974673 974674 974675 974676 974677

3	04204450	1	gasket
4	01143362	14	screw EN 1662 -F-M8X35-10.9-A4C
5	01181406	1	bushing H 2341 -B11X8-FE/ZN12C*

001



0507 0361

Section: ENGINE

OIL PRESSUR.SWITCH

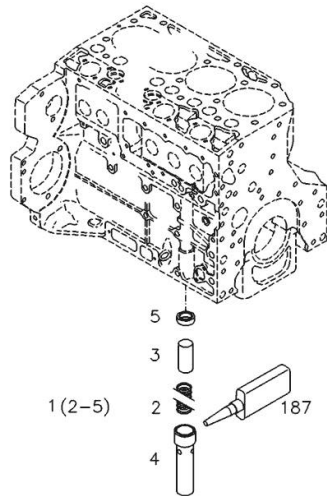
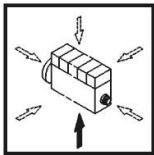
Fig.	P/n	QTY	Name
------	-----	-----	------

Notes:
[R7.190 S]

Engine serial number:

859205 859206 859207 859208 859209 861108 861109 861110 861111 861112 861113 861114 875554 875555 875556
875557 875558 875559 875560 875561 890218 954488 954489 954490 954491 954492 954493 954494 954495 954496
954497 974668 974669 974670 974671 974672 974673 974674 974675 974676 974677

1	04207119	1	valve WITH ITEM (2-5)
2	04200782	1	spring
3	04207120	1	piston
4	04207121	1	spacer
5	04201794	1	ring
187	01016123	1	small plate H 0699 -DEUTZDW71-50ML



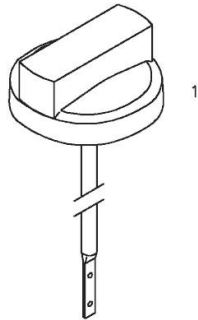
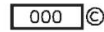
FILLER CAP

Fig.	P/n	QTY	Name
------	-----	-----	------

Notes:
[R7.190 S]

Engine serial number:
859205 859206 859207 859208 859209 861108 861109 861110 861111 861112 861113 861114 875554 875555 875556
875557 875558 875559 875560 875561 890218 954488 954489 954490 954491 954492 954493 954494 954495 954496
954497 974668 974669 974670 974671 974672 974673 974674 974675 974676 974677

1	01180286	1	plug H 2875 -B2-OL40-166X4-130X12
---	----------	---	--------------------------------------



Section: ENGINE

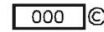
OIL FILLER NECK

Fig.	P/n	QTY	Name
------	-----	-----	------

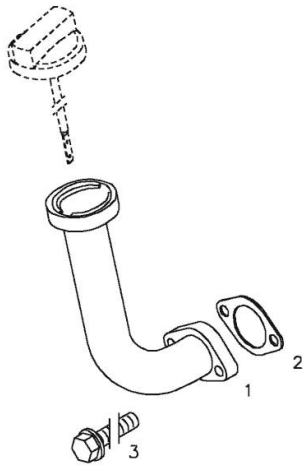
Notes:
[R7.190 S]

Engine serial number:

859205 859206 859207 859208 859209 861108 861109 861110 861111 861112 861113 861114 875554 875555 875556
875557 875558 875559 875560 875561 890218 954488 954489 954490 954491 954492 954493 954494 954495 954496
954497 974668 974669 974670 974671 974672 974673 974674 974675 974676 974677



1	04207099	1	tube
2	01178421	1	gasket
3	01181433	2	screw



Section: ENGINE

CRANKCASE BREATHER

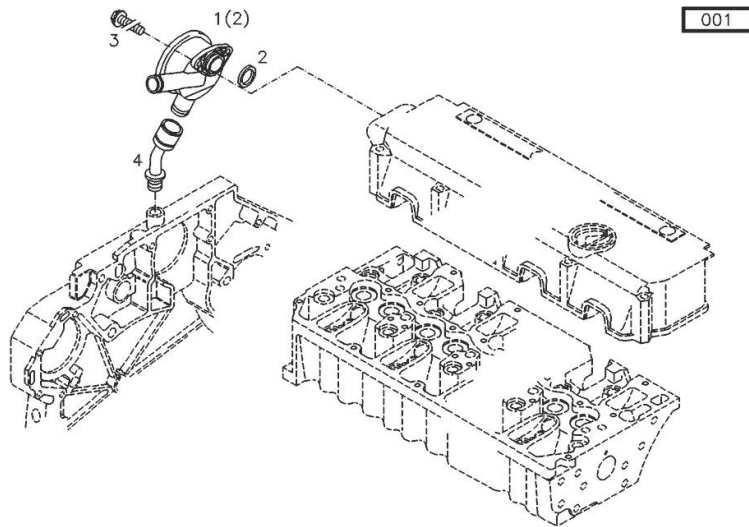
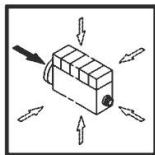
Fig.	P/n	QTY	Name
------	-----	-----	------

Notes:
[R7.190 S]

Engine serial number:

859205 859206 859207 859208 859209 861108 861109 861110 861111 861112 861113 861114 875554 875555 875556
875557 875558 875559 875560 875561 890218 954488 954489 954490 954491 954492 954493 954494 954495 954496
954497 974668 974669 974670 974671 974672 974673 974674 974675 974676 974677

1	04207651	1	valve WITH ITEM (2)
2	04207649	1	ring
3	01180218	2	screw EN 1662 -F-M6X20-10.9-GESCHW
4	04207290	1	pipng



Buy Now



Our support email:

ebooklibonline@outlook.com