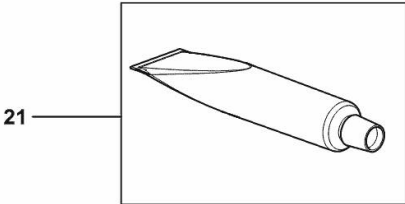
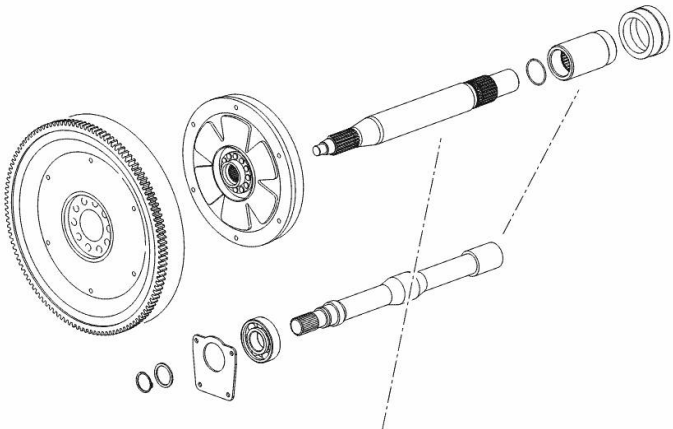


LUBRICANTS AND SEALANTS

Fig.	P/n	QTY	Name
------	-----	-----	------

Notes:
 [R8.230 DCR ->WSXJ390200LL10001]

21	01005149	0.1	genuine lubricants H 685 -DEUTZ S2- 1 KG
----	----------	-----	--



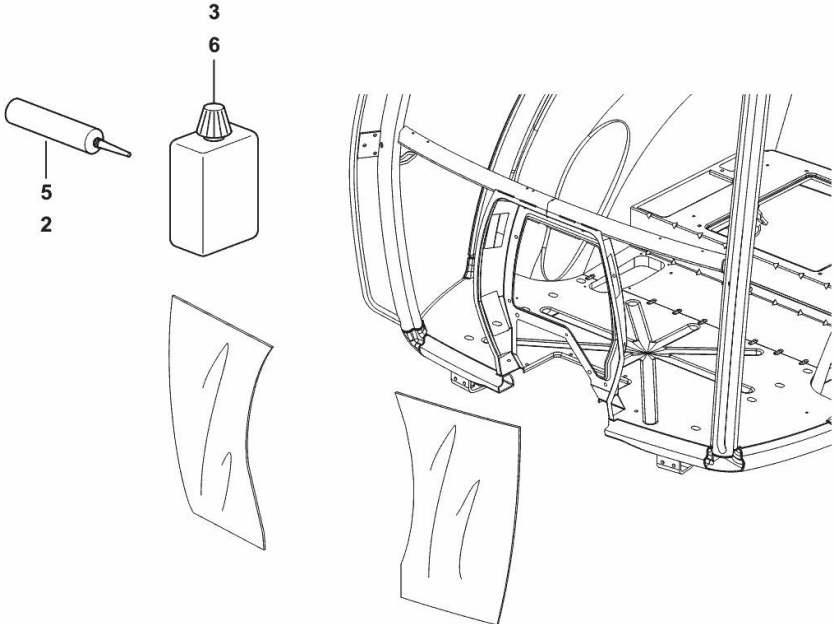
K9_J3365_02_0-B-001

LUBRICANTS AND SEALANTS

Fig.	P/n	QTY	Name
------	-----	-----	------

Notes:
 [R8.230 DCR ->WSXJ390200LL10001]

2	04414226	0.12	sealing compound HENKEL 211-342
3	04414225	0.01	genuine lubricants HENKEL 148785
5	04414226	0.12	sealing compound HENKEL 211-342
6	04414225	0.01	genuine lubricants HENKEL 148785



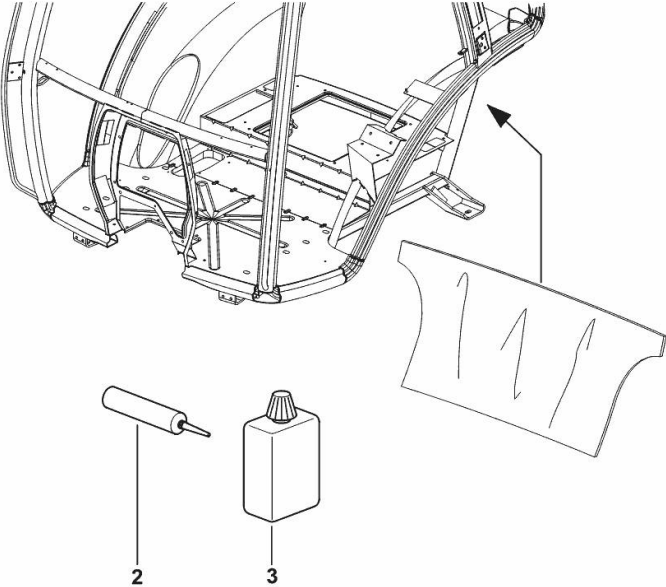
K9_95071_19_0-B-001

LUBRICANTS AND SEALANTS

Fig.	P/n	QTY	Name
------	-----	-----	------

Notes:
 [R8.230 DCR ->WSXJ390200LL10001]

2	04414226	0.3	sealing compound HENKEL 211-342
3	04414225	0.01	genuine lubricants HENKEL 148785



K9_95071_18_0-B-001

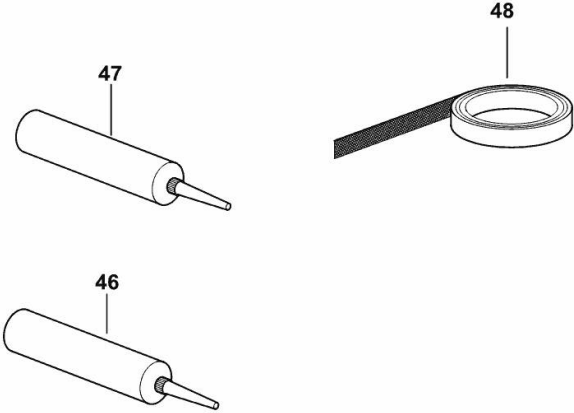
TRANSFERS, LUBRICATION

Fig.	P/n	QTY	Name
------	-----	-----	------

Notes:

[R8.230 DCR ->WSXJ390200LL10001]

46	04450288	0.04	adhesive HENKEL 80891
47	04414226	0.04	sealing compound HENKEL 211-342
48	01171694	9	clamp 172X4.6



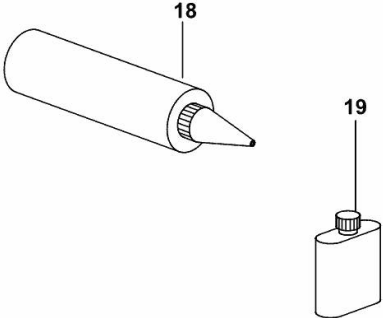
K9_J3371_20_0-D-001

LUBRICANTS AND SEALANTS

Fig.	P/n	QTY	Name
------	-----	-----	------

Notes:
[R8.230 DCR ->WSXJ390200LL10001]

18	04414226	1	sealing compound HENKEL 211-342
19	04414225	0.01	genuine lubricants HENKEL 148785



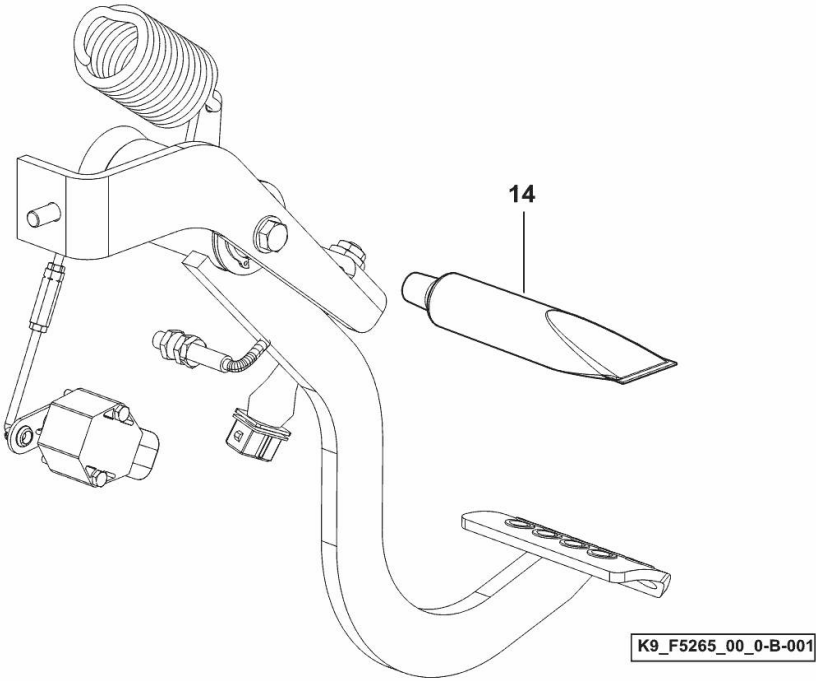
K9_A0171_11_0-C-001

LIQUID GASKET

Fig.	P/n	QTY	Name
------	-----	-----	------

Notes:
[R8.230 DCR ->WSXJ390200LL10001]

14	01009463	0.05	sealing compound H 699 -DEUTZ DW 43
----	----------	------	-------------------------------------



LUBRICANTS AND SEALANTS

Fig.	P/n	QTY	Name
------	-----	-----	------

Notes:
[R8.230 DCR ->WSXJ390200LL10001]

12	04425415	1	sealing compound 566.4
----	----------	---	------------------------



K9_94671_69_0-D-001

Buy Now



Our support email:

ebooklibonline@outlook.com