

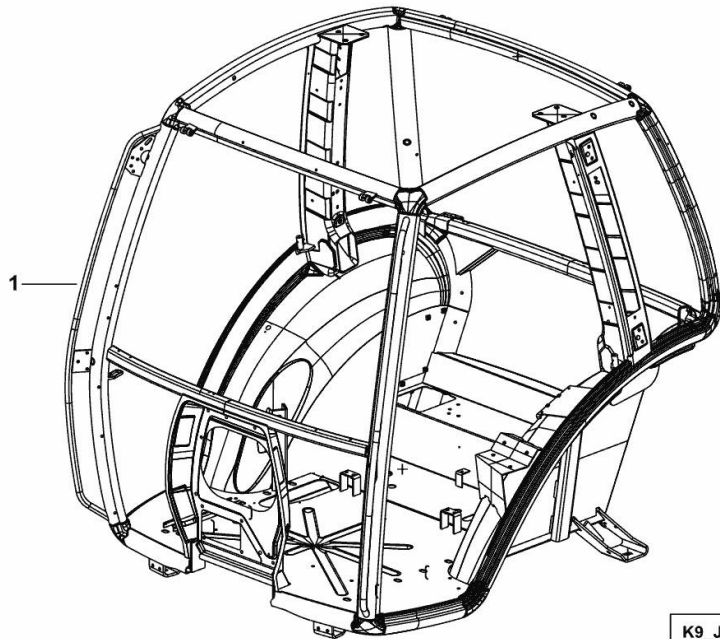
SINGLE-STRUCTURE CAB

Fig.	P/n	QTY	Name
------	-----	-----	------

Notes:

[R8.230 DCR ->WSXL890200LL10001] 10012 <-

1	0.017.9833.4/10	1	cab frame
---	-----------------	---	-----------



K9_J3371_00_0-A-001

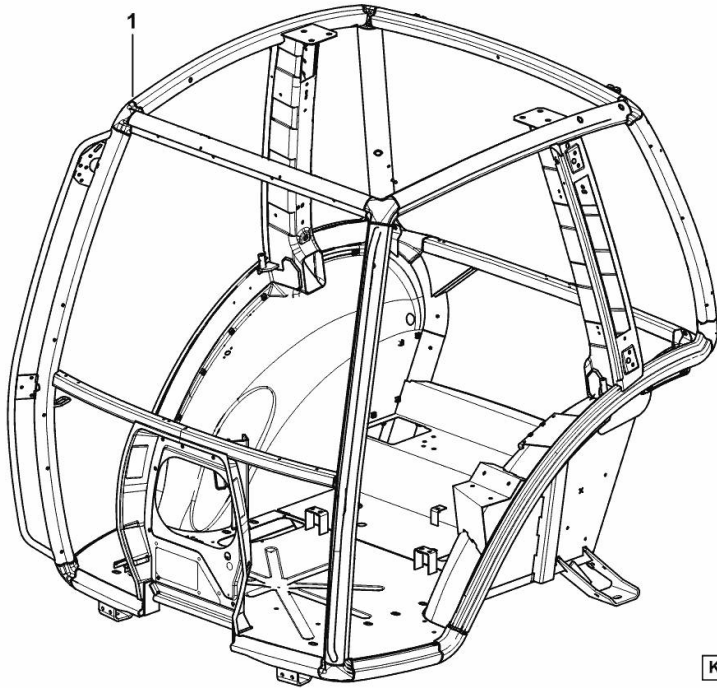
SINGLE-STRUCTURE CAB

Fig.	P/n	QTY	Name
------	-----	-----	------

Notes:

[R8.230 DCR ->WSXL890200LL10001] -> 10013

1	0.016.5314.3/80	1	cab frame
---	-----------------	---	-----------



K9_L0271_00_0-A-001

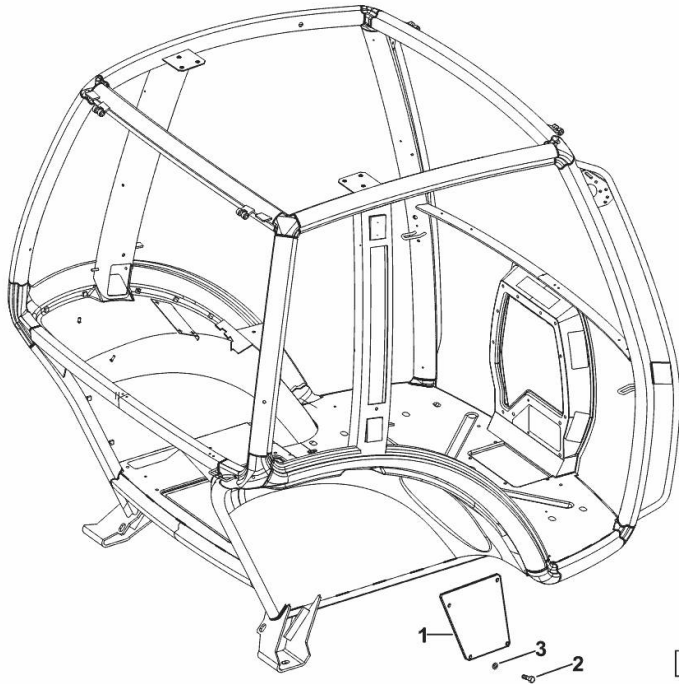
END PLATE

Fig.	P/n	QTY	Name
------	-----	-----	------

Notes:

[R8.230 DCR ->WSXL890200LL10001]

1	0.018.7448.0	1	plate
2	2.0114.005.2	4	screw m 6 p.1.0 x 16
3	2.1310.002.2	4	flat washer 6.4x12.5



K9_95071_29_0-A-001

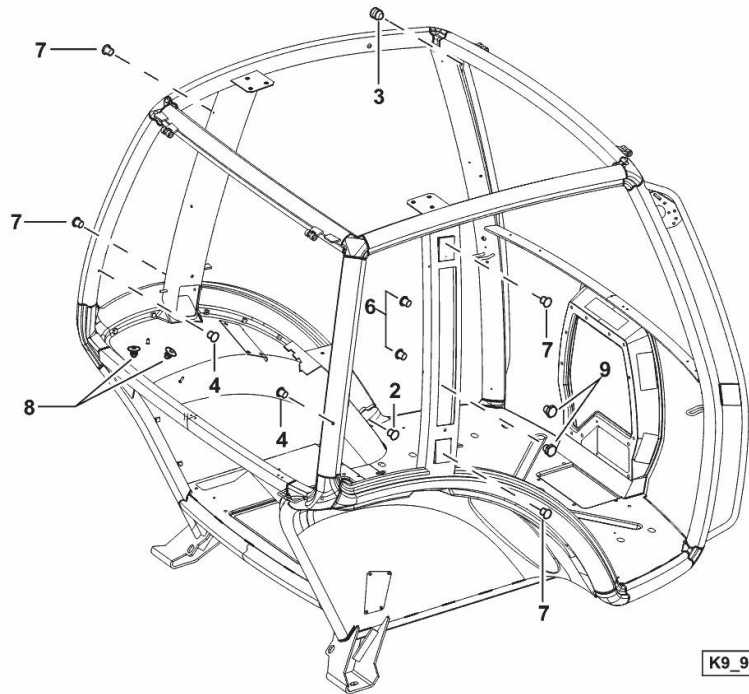
CAB INSTALLATION COMPLETION

Fig.	P/n	QTY	Name
------	-----	-----	------

Notes:

[R8.230 DCR ->WSXL890200LL10001]

2	01167308	4	plug 7.2x5.2x9
3	04424188	1	grommet 16
4	04424360	7	plug
6	0.178.7455.0	2	plug Ø 12
7	01167312	4	plug 10.3x8 x17
8	2.3199.114.0	2	plug mm 14.5
9	2.0112.303.2	2	screw m 10 p.1.5x12



K9_95071_06_0-A-002

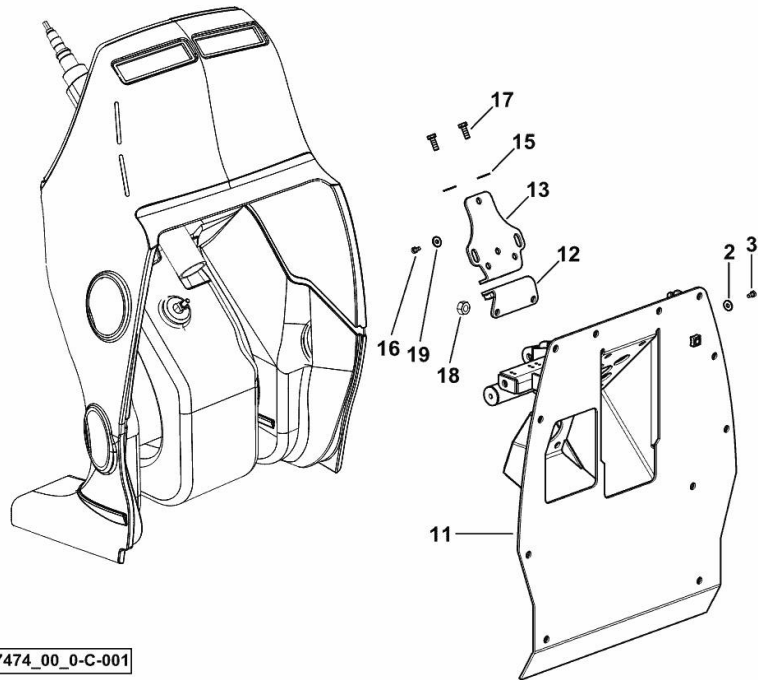
PEDAL SUPPORT

Fig.	P/n	QTY	Name
------	-----	-----	------

Notes:

[R8.230 DCR ->WSXL890200LL10001] 10012 <-

2	2.1310.004.2	9	flat washer 8.4x17
3	01171763	9	screw m 8 p.1.25 x 20
11	0.014.2428.4/90	1	division
12	04429701.4	1	square
13	04429727	1	support
15	2.1312.004.2	4	washer 8x24x2
16	2.0114.203.2	2	screw m 8 x 12
17	2.0114.207.2	2	screw m 8 p.1.25 x 20
18	2.1011.105.2	2	nut m 8 p.1.25
19	2.1310.004.2	4	flat washer 8.4x17



K9_B7474_00_0-C-001

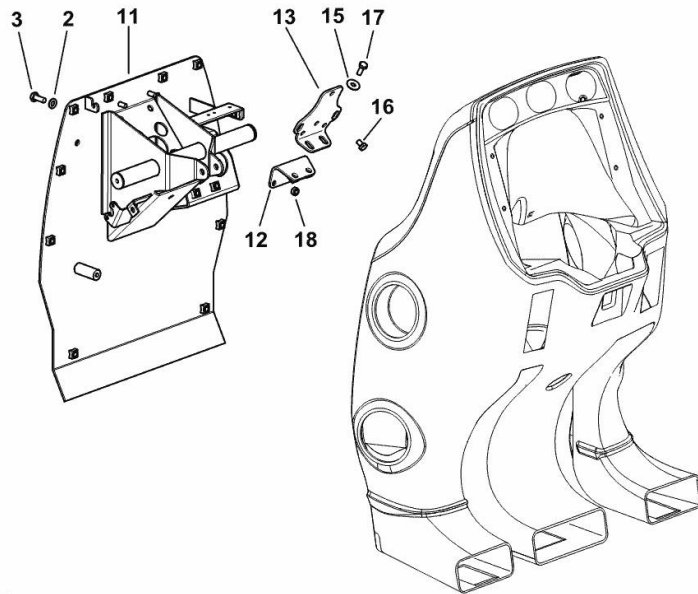
PEDAL SUPPORT

Fig.	P/n	QTY	Name
------	-----	-----	------

Notes:

[R8.230 DCR ->WSXL890200LL10001] -> 10013

2	2.1310.004.2	11	flat washer 8.4x17
3	01171763	9	screw m 8 p.1.25 x 20
11	0.014.2428.4/90	1	division
12	04429701.4	1	square
13	04429727	1	support
15	2.1312.004.2	4	washer 8x24x2
16	2.0114.203.2	2	screw m 8 x 12
17	2.0114.207.2	2	screw m 8 p.1.25 x 20
18	2.1011.105.2	2	nut m 8 p.1.25



K9_L0274_00_0-C-001

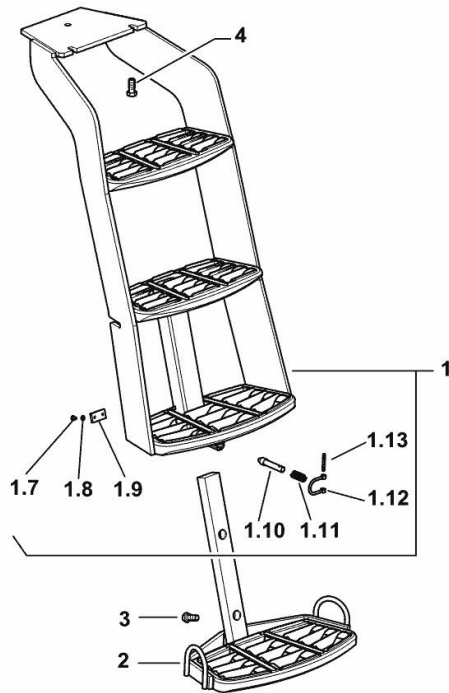
LADDER

Fig.	P/n	QTY	Name
------	-----	-----	------

Notes:

[R8.230 DCR ->WSXL890200LL10001]

1	0.015.3469.4/30	2	climbing steps
1.7	2.0332.302.2	2	screw m 5x8
1.8	2.1310.001.2	2	flat washer 5.3 x 10
1.9	0.012.4390.0	1	small plate
1.10	04436728	1	pin
1.11	2.4019.586.2	1	spring
1.12	0.009.9591.0/10	1	u bolt
1.13	2.1630.515.0	1	roll pin 5 x 40
2	0.012.4415.3/10	2	foot board
3	2.0112.411.2	2	screw m 12 p.1.75 x 30
4	2.0112.311.2	6	screw m 10 p.1.5 x 30



K9_J3376_00_0-A-001

Buy Now



Our support email:

ebooklibonline@outlook.com