

Section: F0 - FRONT AXLE

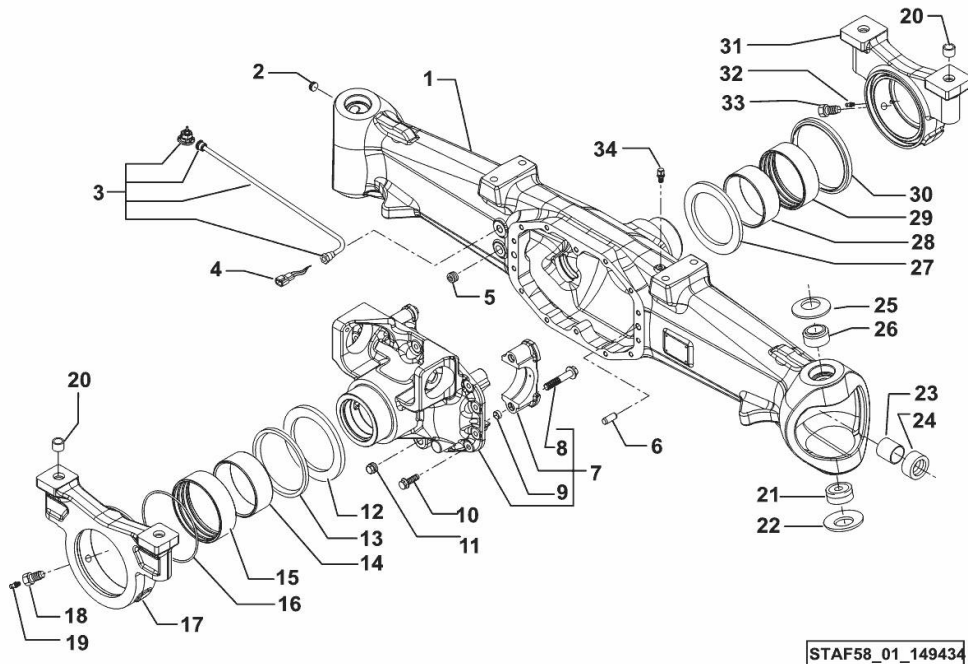
DRIVEN FRONT AXLE - 149434

Fig.	P/n	QTY	Name
1	0.900.0092.8	1	axle
2	0.900.0081.6	1	plug m 26 p.1.5
3	0.900.0081.4	1	electric cable - KIT
4	0.900.0081.5	1	connector
5	0.900.0081.1	1	plug m 24 p.1.5
6	0.900.0092.9	2	pin D15x35
7	0.900.0093.0	1	support
8	0.900.0093.1	4	screw
9	0.900.0093.2	4	bush 20 x 17 x 12
10	0.900.0093.3	14	screw m 12x33
11	0.900.0093.4	1	bottom m 22 p.1.5
12	0.900.0093.5	1	slewing ring
13	0.900.0093.6	1	circlip
14	0.900.0093.7	1	bushing
15	0.900.0093.8	1	bushing
16	0.900.1169.4	1	ring
17	0.900.0094.0	1	support
18	0.900.0094.1	1	screw
19	0.900.0094.2	1	grease gun
20	0.900.0094.3	4	bush
21	0.900.0094.4	2	ball joint
22	0.900.0094.5	2	spring
23	0.900.0094.6	2	bearing
24	0.900.0094.7	2	circlip
25	0.900.0094.8	2	spring
26	0.900.0094.9	2	bushing
27	0.900.0095.0	1	slewing ring
28	0.900.0095.1	1	bushing
29	0.900.0095.2	1	bushing
30	0.900.0095.3	1	circlip
31	0.900.0095.4	1	front support
32	0.900.0095.5	1	grease gun
33	0.900.0095.6	1	screw
34	0.900.0079.8	1	breather m 10 p.1

Section: F0 - FRONT AXLE
STEERING CYLINDER - 149434

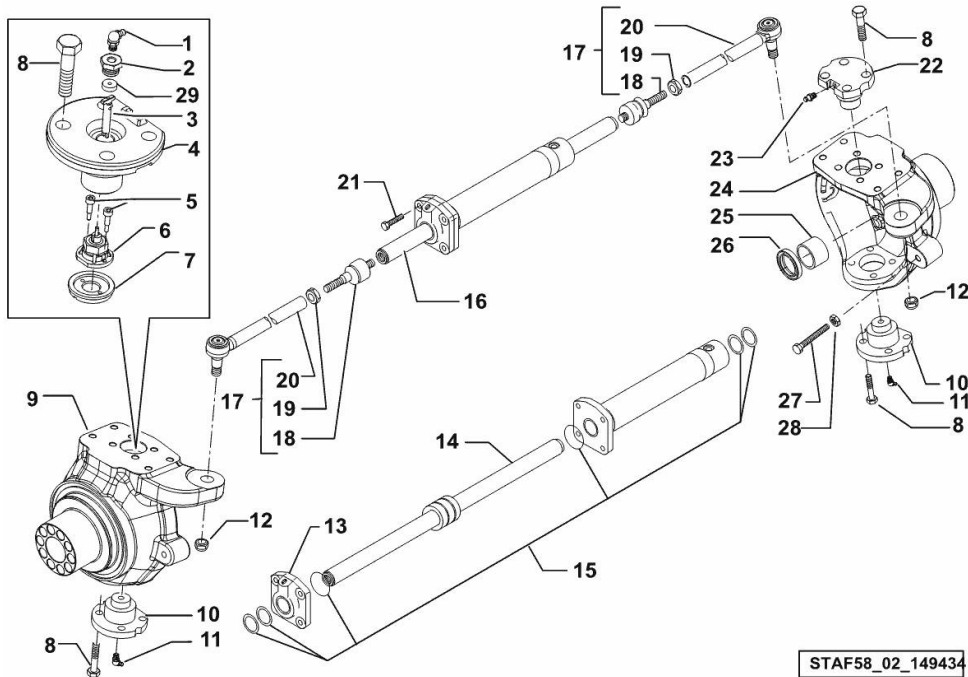
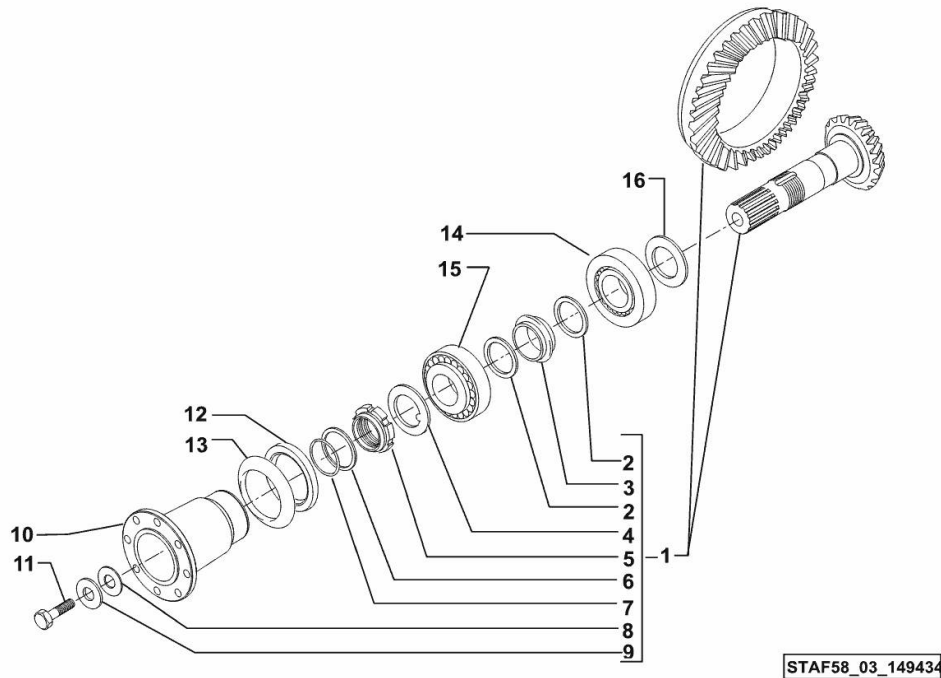


Fig.	P/n	QTY	Name
1	0.900.0082.3	1	grease gun M6x6
2	0.900.0082.4	1	screw m 20 p.1.5
3	0.900.0095.7	1	shaft
4	0.900.0095.8	1	pin
5	0.900.0082.7	2	screw m 4 x 10
7	0.900.0082.8	1	cover
8	0.900.0095.9	16	screw
9	0.900.0096.0	1	cover sx/lh/li
10	0.900.0096.1	2	pin
11	0.900.0083.5	2	grease gun m 6 p.1, 45°
12	0.900.0096.2	2	nut M24x1.5
13	0.900.0096.3	1	head
14	0.900.0096.4	1	stem
15	0.900.0096.5	1	gasket set
16	0.900.0096.6	1	jack
17	0.900.0096.7	2	rod
			COMPLETE (18, 19 & 20)
18	0.900.0084.5	2	ball joint
19	0.900.0084.6	2	nut m 24x10
20	0.900.0096.8	2	crosspiece
21	0.900.0091.8	4	screw m 12 x 45
22	0.900.0096.9	1	pin
23	0.900.0094.2	1	grease gun
24	0.900.0097.1	1	cover dx/rh/re
25	0.900.0097.2	2	bearing
26	0.900.0097.3	2	oil seal
27	0.900.0097.4	2	screw m16x130
28	0.900.0097.5	2	nut m 16
29	0.900.0085.3	1	washer

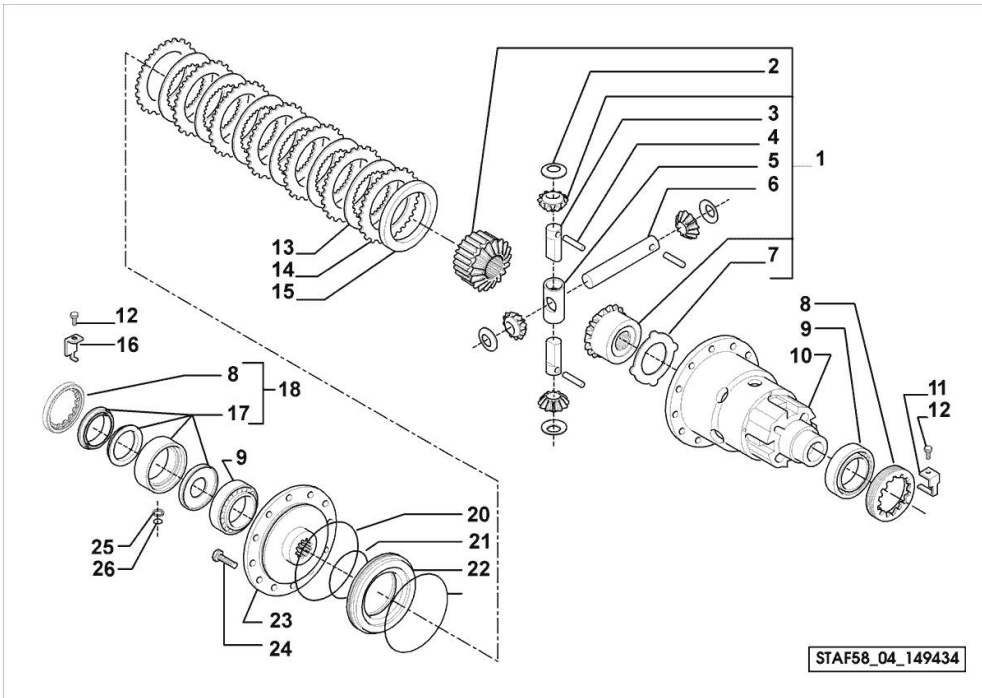
BEVEL WHEEL GEAR - 149434

Fig.	P/n	QTY	Name
1	0.900.0097.6	1	bevel drive COMPLETE (2, 3, 4, 5, 6, 7, 8 & 9)
2	0.900.0097.7	2	washer
3	0.900.0097.8	1	spacer
4	0.900.0097.9	1	washer
5	0.900.0098.0	1	ring nut M 45X1.5 D.56/9
6	0.900.0098.1	1	washer
7	0.900.0098.2	1	ring
8	0.900.0098.3		shim
8	0.900.0098.4		shim
8	0.900.0098.5		shim
9	0.900.0098.6	1	washer
10	0.900.0098.7	1	flange
11	0.900.0098.8	1	screw m 12 x 25
12	0.900.0098.9	1	circlip
13	0.900.0099.0	1	cover
14	0.900.0099.1	1	bearing
15	0.900.0099.2	1	bearing
16	0.900.0099.3		shim 2.50
16	0.900.0099.4		shim 2.60
16	0.900.0099.5		shim 2.70
16	0.900.0099.6		shim 2.80
16	0.900.0099.7		shim 2.90
16	0.900.0099.8		shim 3.00
16	0.900.0099.9		shim 3.10
16	0.900.0100.0		shim 3.20
16	0.900.0100.1		shim 3.30
16	0.900.0100.2		shim 3.40



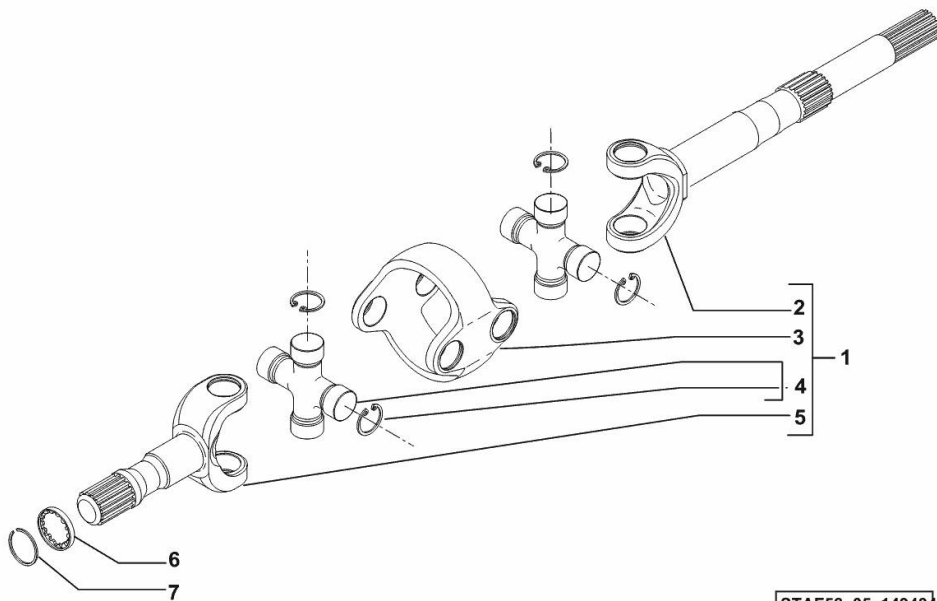
DIFFERENTIAL LOCK - 149434

Fig.	P/n	QTY	Name
1	0.900.0100.3	1	gear COMPLETE (2, 3, 4, 5, 6 & 7)
2	0.900.0100.4	4	slewing ring
3	0.900.0100.5	2	pin
4	0.900.0100.6	3	pin D7X65
5	0.900.0100.7	1	universal joint
6	0.900.0100.8	1	pin
7	0.900.0100.9	1	washer
8	0.900.0101.0	1	ring nut m114x2
9	0.900.0101.1	2	bearing
10	0.900.0101.2	1	differential carrier
11	0.900.0101.3	1	stop
12	0.900.0101.4	2	screw m 6x10
13	0.900.0101.5	6	washer
14	0.900.0101.6	7	washer
15	0.900.0101.7	1	spacer
16	0.900.0101.8	1	stop
17	*	1	cannot be supplied
18	0.900.1383.5	1	seal ring kit
20	0.900.1169.4	2	ring
21	0.900.0102.3	1	ring
22	0.900.0102.4	1	piston
23	0.900.0102.5	1	cover
24	0.900.0102.6	12	screw M14x40
25	0.900.0102.7	1	washer
26	0.900.0102.8	1	ring



DOUBLE COUPLING - 149434

Fig.	P/n	QTY	Name
1	0.900.0103.0	2	joint COMPLETE (2, 3, 4 & 5)
2	0.900.0103.1	2	fork
3	0.900.0103.2	2	body
4	0.900.0103.3	4	universal joint
5	0.900.0103.4	2	fork
6	0.900.0103.5	2	washer
7	0.900.0103.6	2	ring

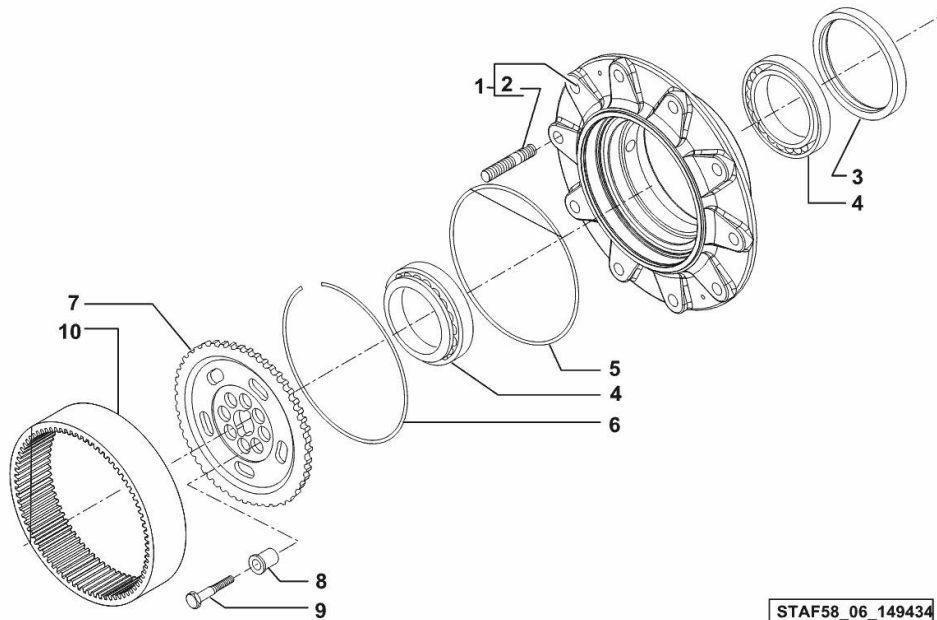


STAF58_05_149434

Section: F0 - FRONT AXLE

WHEEL HUB - 149434

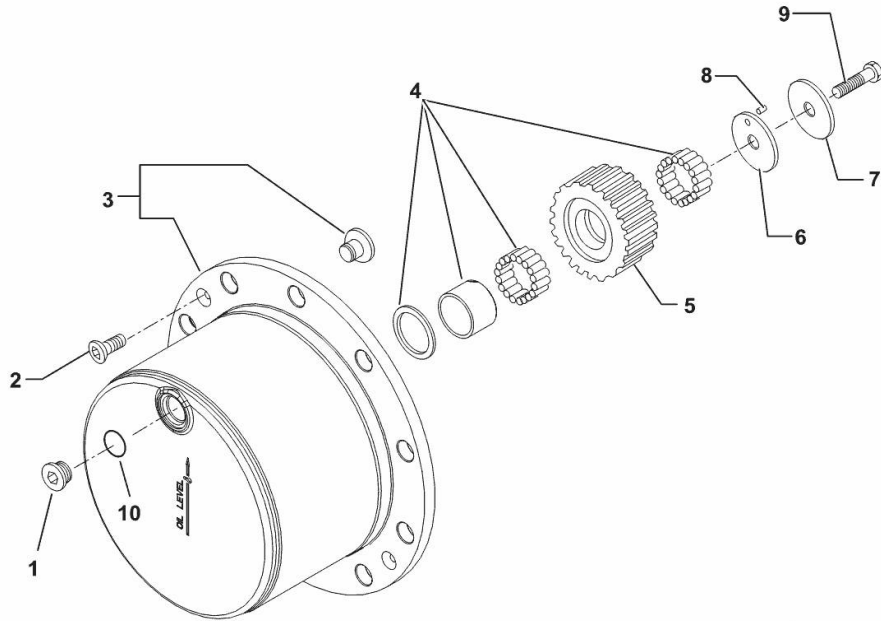
Fig.	P/n	QTY	Name
1	0.900.0103.7	2	wheel hub COMPLETE (2)
2	0.900.0103.8	20	stud bolt
3	0.900.0103.9	2	circlip
4	0.900.0104.0	4	bearing
5	0.900.0104.1	2	ring
6	0.900.0104.2	2	ring
7	0.900.0104.3	2	hub
8	0.900.0104.4	20	bush
9	0.900.0104.5	20	screw m14x1.5
10	0.900.0104.6	2	crown wheel z = 81



STAF58_06_149434

Section: F0 - FRONT AXLE
PLANETARY GEAR - 149434

Fig.	P/n	QTY	Name
1	0.900.0092.1	2	plug m 30 p.2
2	0.900.0092.0	4	screw m 8 p.1.25 x 20
3	0.900.0104.7	2	spider
4	0.900.0104.8	6	roller bearing - KIT
5	0.900.0104.9	6	gear Z = 31
6	0.900.0105.0	6	slewing ring
7	0.900.0105.1	6	slewing ring
8	0.900.0105.2	1	roller
9	0.900.0105.3	6	screw m10x50
10	0.900.0863.0	2	oil seal



STAF58_07_149434

Buy Now



Our support email:

ebooklibonline@outlook.com