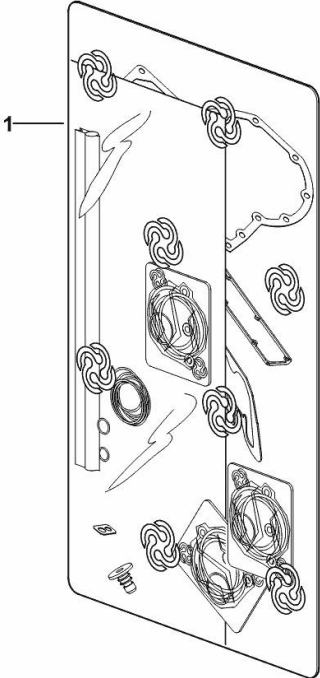


GASKET SET FOR ENGINE ASSEMBLY

Fig.	P/n	QTY	Name
------	-----	-----	------

Notes:
 [R8.270 DCR ->WSXJ400200LL10001]

1	02931772	1	gasket set
---	----------	---	------------



9_STA J33_00_0-A-001

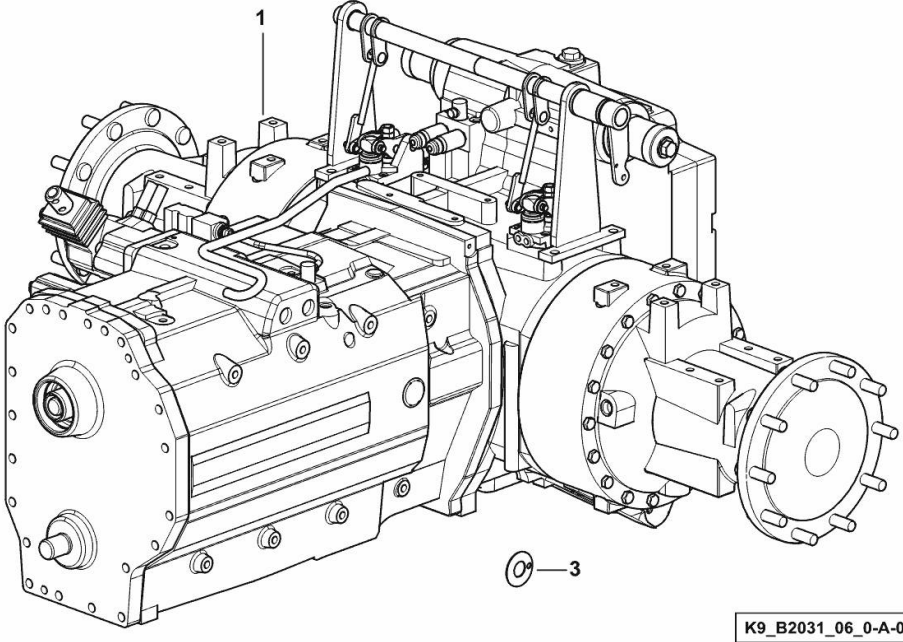
GEARBOX (49/24) WITH FIXED HALFSHAFT - 2094 009 015

Fig.	P/n	QTY	Name
------	-----	-----	------

Notes:

[R8.270 DCR ->WSXJ400200LL10001]

1	04451914/20	1	gearbox - 2094 009 015 ☞ 04451914/20
3	04338187	1	washer

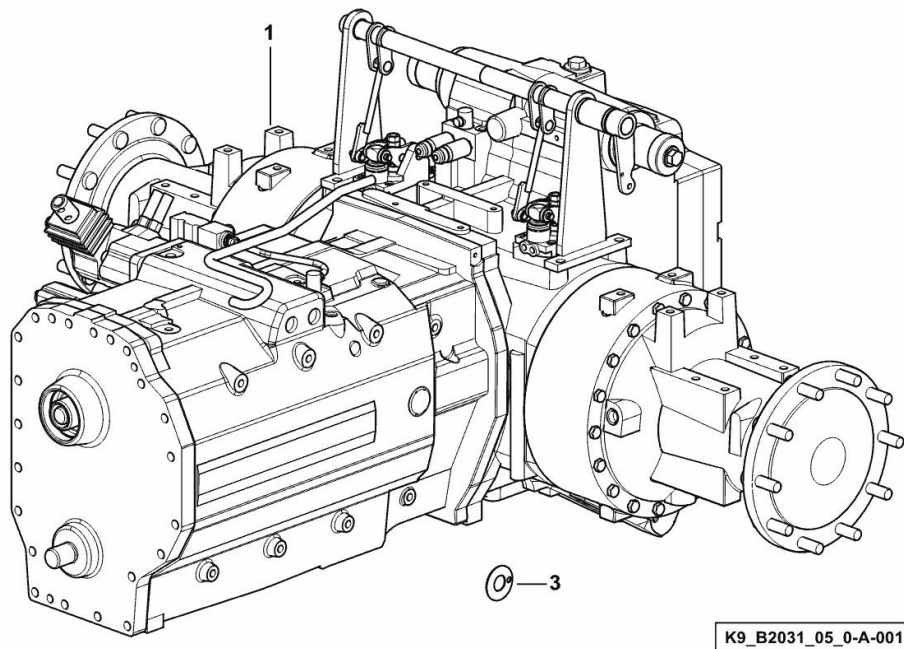


GEARBOX (49/26) WITH FIXED HALFSHAFT - 2094 009 018

Fig.	P/n	QTY	Name
------	-----	-----	------

Notes:

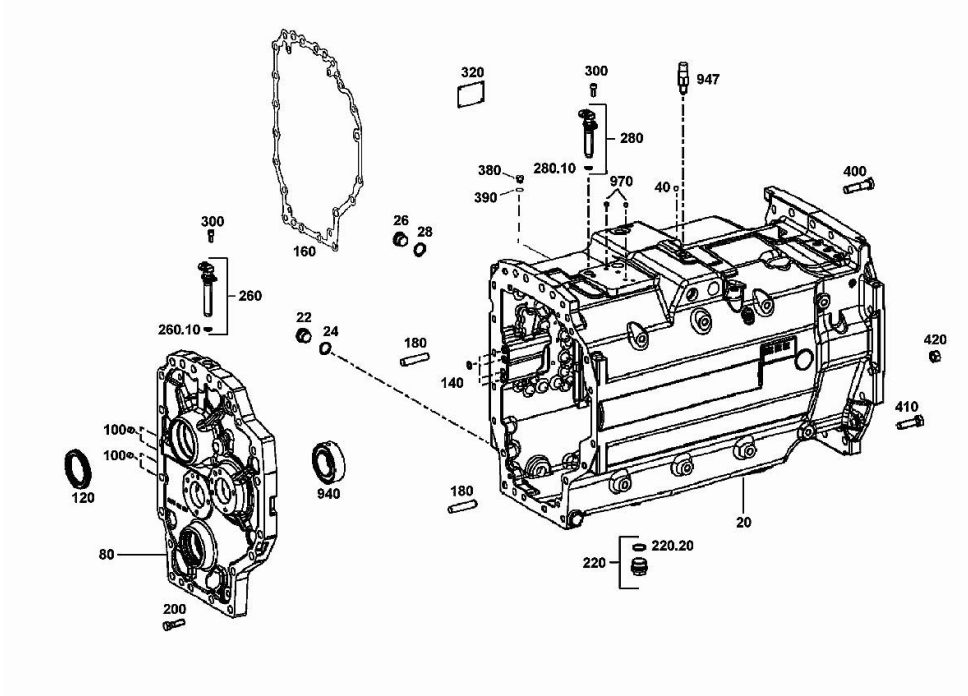
[R8.270 DCR ->WSXJ400200LL10001]



1	04451913/20	1	gearbox - 2094 009 018
			☞ 04451913/20
			☞ 04451913/20
			☞ 04451913/20
			☞ 04451913/20
			☞ 04451913/20
			☞ 04451913/20
			☞ 04451913/20
			☞ 04451913/20
			☞ 04451913/20
			☞ 04451913/20
			☞ 04451913/20
			☞ 04451913/20
			☞ 04451913/20
			☞ 04451913/20
			☞ 04451913/20
			☞ 04451913/20
			☞ 04451913/20
			☞ 04451913/20
			☞ 04451913/20
			☞ 04451913/20
			☞ 04451913/20
			☞ 04451913/20
			☞ 04451913/20
			☞ 04451913/20
			☞ 04451913/20
			☞ 04451913/20
			☞ 04451913/20
			☞ 04451913/20
			☞ 04451913/20
			☞ 04451913/20
			☞ 04451913/20
			☞ 04451913/20
			☞ 04451913/20
			☞ 04451913/20
			☞ 04451913/20
			☞ 04451913/20
			☞ 04451913/20
			☞ 04451913/20
			☞ 04451913/20
			☞ 04451913/20
			☞ 04451913/20
			☞ 04451913/20
			☞ 04451913/20
			☞ 04451913/20
3	04338187	1	washer

GEARBOX - 2094 009 018

Fig.	P/n	QTY	Name
20	0.010.3794.2	1	box (...) <-
20	0.900.1278.9	1	gear box > (...)
22	0.010.2622.1	1	screw m 26 p.1.5
24	0.010.2899.0	1	gasket 26x31
26	0.010.2622.1	1	screw m 26 p.1.5
28	0.010.2899.0	1	gasket 26x31
40	04431789	2	ball
80	04431788	1	cover
100	0.010.2626.2	4	screw m 12x10
120	04431790	1	ring
140	01295686	4	special oil seal
160	04431791	1	gasket (...) <-
180	04431792	2	cylindrical plug 16 m 6x70
200	04431795	4	screw
220	0.900.1455.0	1	plug m 33 p.2
220.10	04436329	1	screw m 33 p.2
220.20	04415825	1	ring 30x2.5
260	0.010.2942.0	1	speed sensor L = mm 100
260.10	04417747	1	oil seal 15.54x2.62
280	04438438	1	position sensor L = 83,2mm
280.10	04417747	1	oil seal 15.54x2.62
300	04434551	2	screw m 8 p.1.25 x 20
320	04415260	1	plate
380	04436330	1	screw m 16 p.1.5 (...) <-
390	04436331	1	oil seal 16 x 20 (...) <-
400	04434544	5	screw m 16 x 65, d933
410	04434545	9	screw m 16 x 55
420	04433975	3	nut m 16
940	0.010.3428.1	1	bush
947	04416066	1	switch



PUMP CONTROL - FROM GEARBOX SERIAL NUMBER ZF 929142 - 2094 009 018

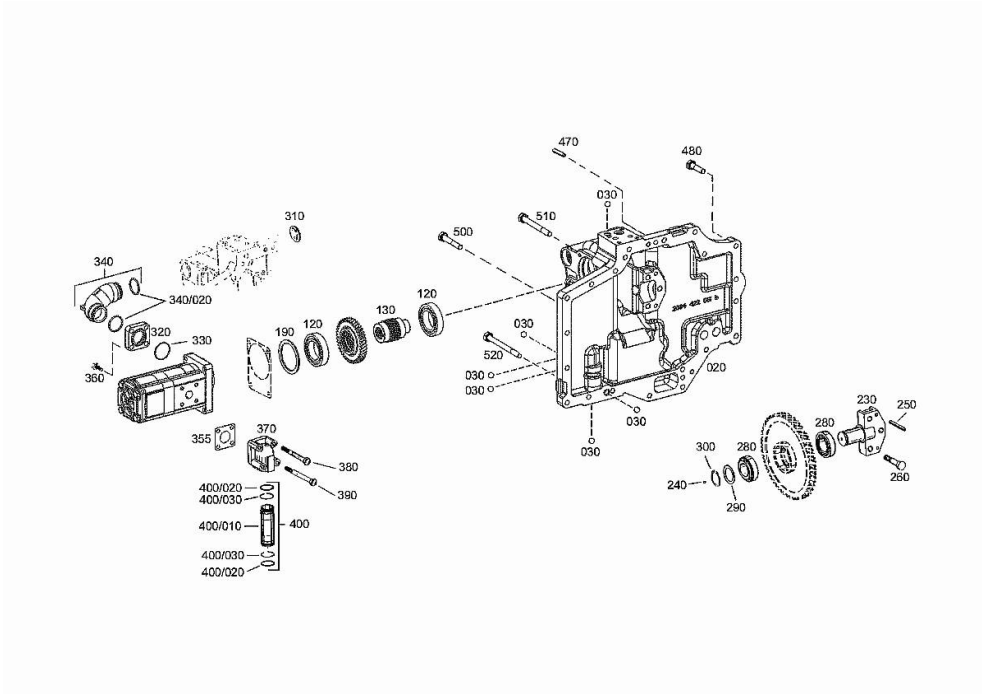
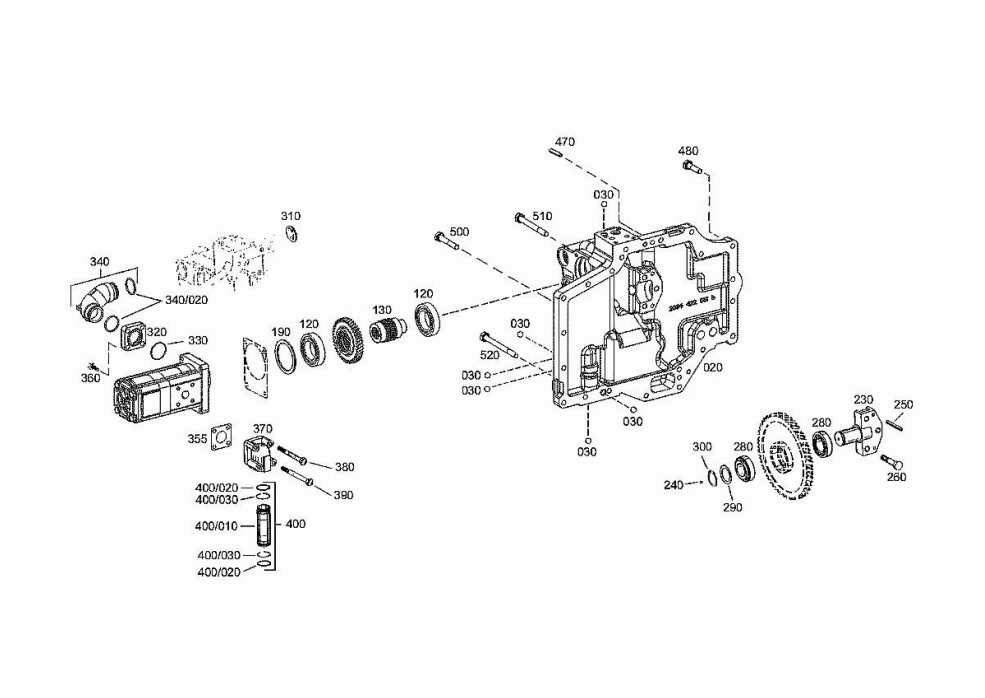


Fig.	P/n	QTY	Name
20	0.900.1279.0	1	box
30	04415830	6	ball 12 mm
120	04415834	2	ball bearing
130	0.900.0488.6	1	bush z=38
190	04417130	1	washer mm 3.00
230	04415918	1	bearing block
240	04415919	1	ball
250	04415823	2	screw 8 m 6x36
260	04431795	3	screw
280	04415821	2	ball bearing
290	04416775	1	shim mm 2.50
290	04416776	1	shim mm 2.00
290	04416777	1	shim mm 2.40
290	04416778	1	shim mm 2.50
290	04417056	1	shim mm 2.10
290	04417115	1	shim mm 2.05
290	04417117	1	shim mm 2.15
290	04417118	1	shim mm 2.20
290	04417119	1	shim mm 2.25
290	04417120	1	shim mm 2.30
290	04417121	1	shim mm 2.35
290	04417123	1	shim mm 2.45
290	04417126	1	shim mm 1.85
290	04417127	1	shim mm 1.90
290	04417128	1	shim mm 1.95
300	0.010.2621.1	1	circlip 30x2
310	0.010.2621.2	1	washer 34
320	0.900.0051.2	1	flange
330	0.900.0051.3	1	oil seal
340	0.900.0051.4	1	manifold
340.20	0.010.3728.0	2	oil seal 33x2.5
355	04415827	1	gasket
360	04434498	4	screw m 8 x 25
370	04415836	1	manifold
380	04434549	2	screw m 8 x 45
390	0.010.3782.2	2	screw m 8 x 55
400	0.010.2874.1	1	tube
400.10	04415837	1	tube
400.20	04415838	2	ring 23X2.5
400.30	0.010.2621.3	2	circlip
470	04415833	2	cylindrical plug 10 m 6x35
480	04434553	13	screw m 10 x 40

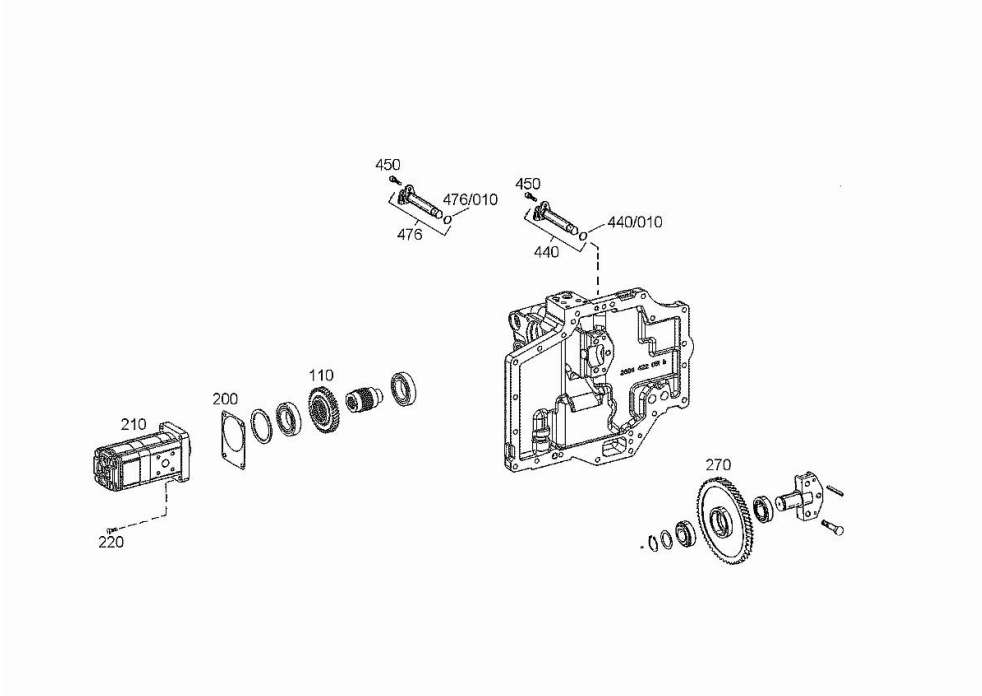
PUMP CONTROL - FROM GEARBOX SERIAL NUMBER ZF 929142 - 2094 009 018

Fig.	P/n	QTY	Name
500	04434554	3	screw m 6 x 60
510	04434555	2	screw m 6x95
520	04434556	2	screw m 6x110



PUMP DRIVE - 2094 009 018

Fig.	P/n	QTY	Name
110	0.900.1362.5	1	gear -> (...)
110	04415916	1	gear wheel Z = 41 (...) <-
200	04415921	1	gasket
210	04433998	1	pump
220	04434509	4	screw m 8 x 30
270	04433999	1	gear wheel z=75
440	04438438	1	position sensor L = 83,2mm
440.10	04417747	1	oil seal 15.54x2.62
450	04434551	2	screw m 8 p.1.25 x 20
476	04438436	1	speed sensor L = 125,1mm
476.10	04417747	1	oil seal 15.54x2.62



Buy Now



Our support email:

ebooklibonline@outlook.com