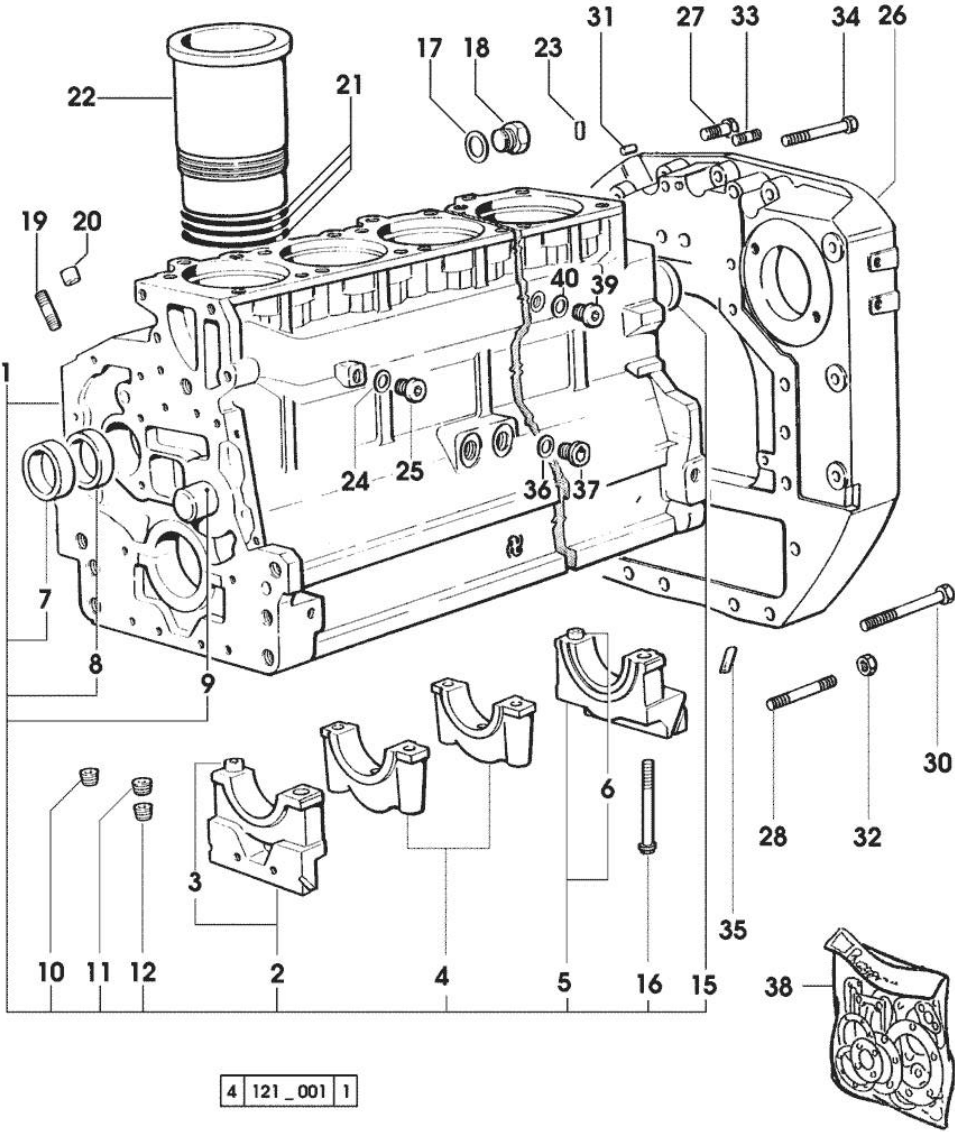


Section: ENGINE
CRANKCASE

| Fig. | P/n | QTY | Name |
|------|-----|-----|------|
|------|-----|-----|------|

Notes:
 [RACING 150 -> 3001]

| | | | |
|----|-----------------|----|---------------------------------|
| 1 | 0.007.1102.6/20 | 1 | crankcase |
| 2 | 0.065.1112.7 | 1 | support |
| 3 | 2.1699.165.0 | 1 | bush 12.3x15x16 |
| 4 | 0.065.1114.0/10 | 5 | support |
| 5 | 0.007.0848.3/10 | 1 | support |
| 6 | 2.1699.165.0 | 1 | bush 12.3x15x16 |
| 7 | 0.065.1140.0 | 6 | special bushing 59X55X20 |
| 8 | 0.065.1141.0 | 1 | special bushing 59X55X30 |
| 9 | 0.066.1151.0 | 1 | pin |
| 10 | 2.3130.001.1 | 14 | plug 1/8" gas |
| 11 | 2.3130.002.1 | 2 | plug 1/4" gas |
| 12 | 2.3130.003.1 | 8 | plug 3/8" gas |
| 15 | 2.3179.012.0 | 1 | plug 60 |
| 16 | 0.065.1117.0 | 14 | screw m 12 x 100 |
| 17 | 2.1539.047.0 | 1 | special oil seal 26.7x1.78 |
| 18 | 2.3199.405.2 | 1 | plug m 28 p.1.5 |
| 19 | 2.0432.003.7 | 18 | stud bolt m 8 p.1.25 / p.1 x 20 |
| 20 | 2.1559.188.2 | 6 | bush 11.4 x 14 x16 |
| 21 | 2.1539.193.0 | 12 | special oil seal 107.62x2.62 |
| 22 | 0.011.0183.0/20 | 6 | engine cylinder |
| 23 | 2.1549.154.2 | 6 | bush 4.8x5.8x16 |
| 24 | 2.1560.010.0 | 1 | gasket 14.2 x 20 |
| 25 | 2.3199.292.0 | 1 | plug 1/4" gas |
| 26 | 0.007.0809.0/20 | 1 | flange |
| 27 | 2.0112.513.2 | 11 | screw m 14 p.2 x 35 |
| 28 | 2.0432.328.7 | 4 | stud bolt m 14 p.2-1.5x130 |
| 30 | 2.0112.534.2 | 2 | screw m 14 p.2x125 |
| 31 | 2.1651.911.0 | 2 | cylindrical plug |
| 32 | 2.1011.108.2 | 4 | nut m 14 p.2 |
| 33 | 2.0432.255.7 | 2 | stud bolt m 12 p.1.75-1.25x25 |
| 34 | 2.0312.520.1 | 2 | screw m 14 p.2x70 |
| 35 | 0.066.1152.0/10 | 4 | gasket |
| 36 | 2.1560.014.0 | 1 | washer 18.2 x 24 |
| 37 | 2.3120.101.0 | 1 | plug m 18 p.1.5 |
| 38 | 0.337.0050.6 | 1 | gasket set |
| 39 | 2.3120.101.0 | 1 | plug m 18 p.1.5 |
| 40 | 2.1560.014.0 | 1 | washer 18.2 x 24 |

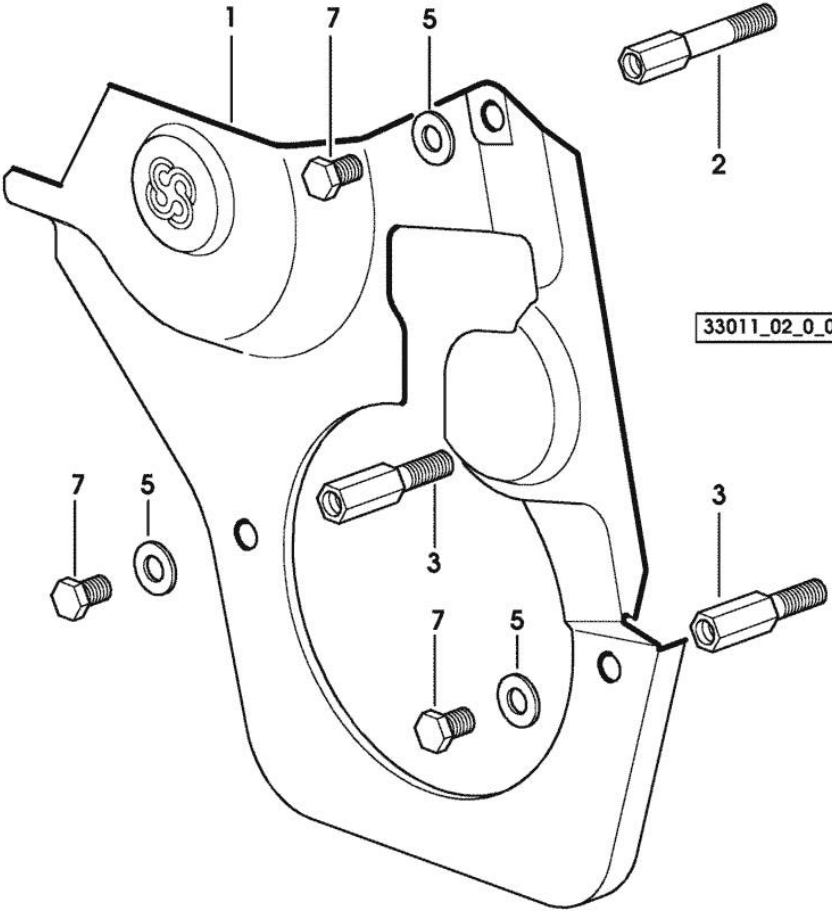


Section: ENGINE
TIMING CASE

| Fig. | P/n | QTY | Name |
|------|-----|-----|------|
|------|-----|-----|------|

Notes:
[RACING 150 -> 3001]

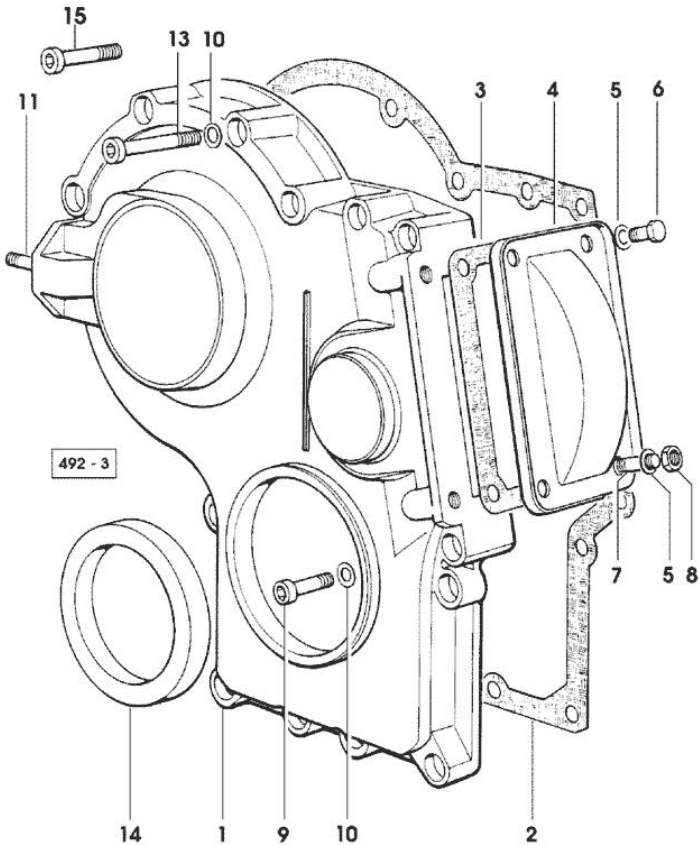
| | | | |
|---|-----------------|---|-------------------------------------|
| 1 | 0.007.1262.3/50 | 1 | guard |
| 2 | 0.007.1271.0/10 | 1 | small column m 8 p.1.25 / L = mm 60 |
| 3 | 0.007.1272.0/10 | 2 | small column m 8 p.1.25 / L = mm 50 |
| 5 | 2.1310.004.2 | 3 | flat washer 8.4x17 |
| 7 | 2.0112.205.2 | 3 | screw m 8 p.1.25 x 16 |



Section: ENGINE
TIMING CASE

| Fig. | P/n | QTY | Name |
|------|-----|-----|------|
|------|-----|-----|------|

Notes:
[RACING 150 -> 3001]



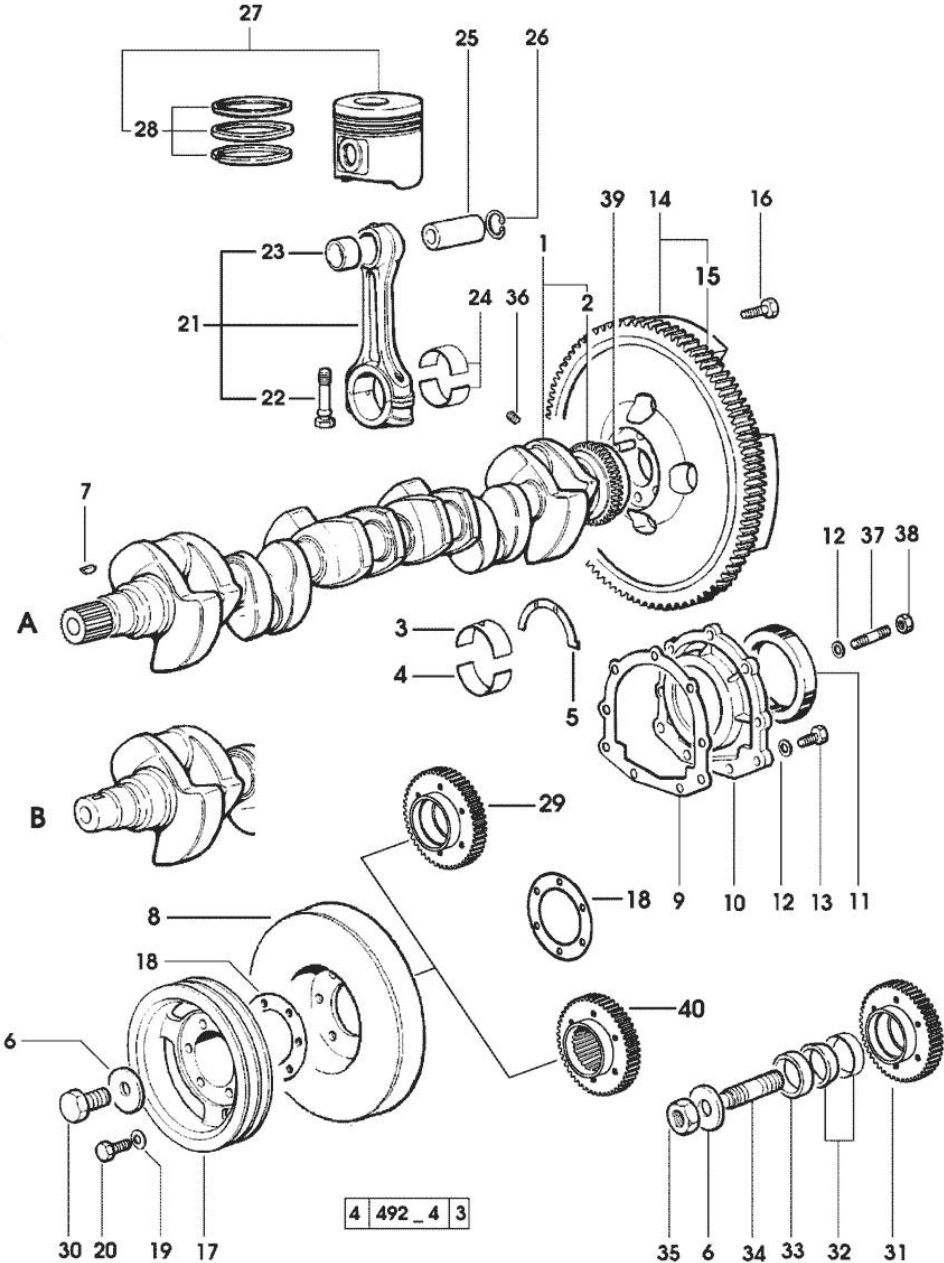
| | | | |
|----|-----------------|----|---------------------------------|
| 1 | 0.065.1132.0/60 | 1 | guard |
| 2 | 0.065.1150.0/30 | 1 | gasket |
| 3 | 0.065.1152.0 | 1 | gasket |
| 4 | 0.065.1151.0 | 1 | cover |
| 5 | 2.1470.004.2 | 4 | lock washer 8 |
| 6 | 2.0112.205.2 | 2 | screw m 8 p.1.25 x 16 |
| 7 | 2.0432.003.7 | 2 | stud bolt m 8 p.1.25 / p.1 x 20 |
| 8 | 2.1011.405.2 | 2 | nut m 8 p.1 |
| 9 | 2.0312.214.2 | 3 | screw m 8 p.1.25 x 40 |
| 10 | 2.1480.014.1 | 15 | washer 8 |
| 11 | 2.0432.003.7 | 2 | stud bolt m 8 p.1.25 / p.1 x 20 |
| 13 | 2.0312.219.2 | 4 | screw m 8 p.1.25x65 |
| 14 | 2.1529.141.0 | 1 | special oil seal |
| 15 | 2.0312.208.2 | 8 | screw m 8 p.1.25 x 25 |

Section: ENGINE
CRANKSHAFT

| Fig. | P/n | QTY | Name |
|------|-----|-----|------|
|------|-----|-----|------|

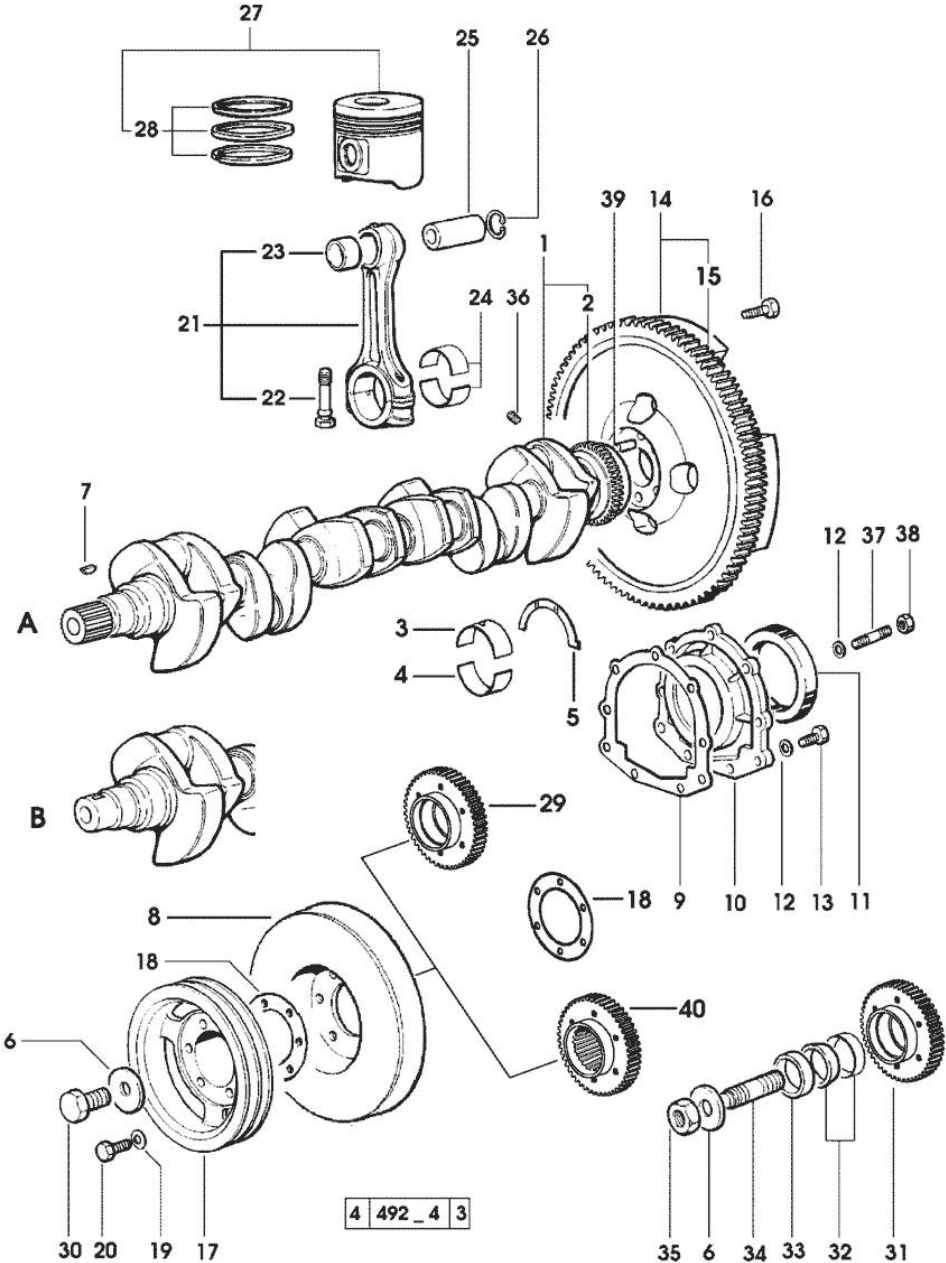
Notes:
 [RACING 150 -> 3001]

| | | | |
|----|-----------------|----|---|
| 1 | 0.010.4320.3/20 | 1 | crankshaft (...) <= " B " * N.1 011.2206.0/10 |
| 2 | 0.007.0855.0 | 1 | gear |
| 3 | 0.065.1215.0 | 7 | main half bushing STANDARD |
| 3 | 0.065.1215.7 | | main half bushing - mm 0.25 |
| 3 | 0.065.1215.8 | | main half bushing - mm 0.50 |
| 4 | 0.065.1216.0 | 7 | main half bushing |
| 4 | 0.065.1216.7 | | main half bushing - mm 0.25 |
| 4 | 0.065.1216.8 | | main half bushing - mm 0.50 |
| 5 | 0.065.1218.0 | 4 | shim STANDARD |
| 5 | 0.065.1218.7 | | shim + mm 0.10 |
| 5 | 0.065.1218.8 | | shim + mm 0.15 |
| 6 | 2.1599.524.7 | 1 | washer 21x60x12 |
| 7 | 2.1720.006.0 | 1 | key 4x6.5 |
| 8 | 0.007.1010.3 | 1 | antivibration pulley |
| 9 | 0.065.1254.0/20 | 1 | gasket |
| 10 | 0.007.0851.0/10 | 1 | cover |
| 11 | 2.1529.073.0 | 1 | special oil seal 110x130x13 |
| 12 | 2.1475.002.2 | 9 | conical washer 8 |
| 13 | 2.0112.207.2 | 7 | screw m 8 p 1.25 x 20 |
| 14 | 0.007.0655.3/20 | 1 | flywheel |
| 15 | 0.065.1242.0 | 1 | crown wheel Z = 123 |
| 16 | 2.0119.174.0/10 | 6 | screw m 12 p.1.25x45 |
| 17 | 0.007.0962.0/20 | 1 | pulley |
| 18 | 2.1589.137.0 | | shoulder ring 71x110x1 |
| 19 | 2.1470.006.2 | 6 | lock washer 10 |
| 20 | 2.0112.322.2 | 6 | screw m 10 p.1.5x65 |
| 21 | 0.007.1395.3/20 | 6 | engine connecting rod |
| 22 | 2.0399.213.0 | 12 | screw m 12 p.1.25x61.5 |
| 23 | 2.1559.255.0 | 6 | special bushing 34.60x39.130x34.65 |
| 24 | 0.065.1225.0 | 12 | con.rod half bushing STANDARD - A = 28.75 -> 29.00 |
| 24 | 0.065.1225.7 | | con.rod half bushing - mm 0.25 |
| 24 | 0.065.1225.8 | | con.rod half bushing - mm 0.50 |
| 25 | 0.038.1236.0/10 | 6 | piston pin Ø 18 / Ø 35 / L = mm 90 |
| 26 | 2.1411.014.1 | 12 | circlip 35 |
| 27 | 0.340.0060.6/10 | 6 | complete piston |
| 27 | 0.383.0060.6 | 6 | complete piston - EXPORT U.S.A. |
| 28 | 0.338.0052.6/10 | 6 | piston ring set |
| 29 | 0.011.2140.0/10 | 1 | hub |



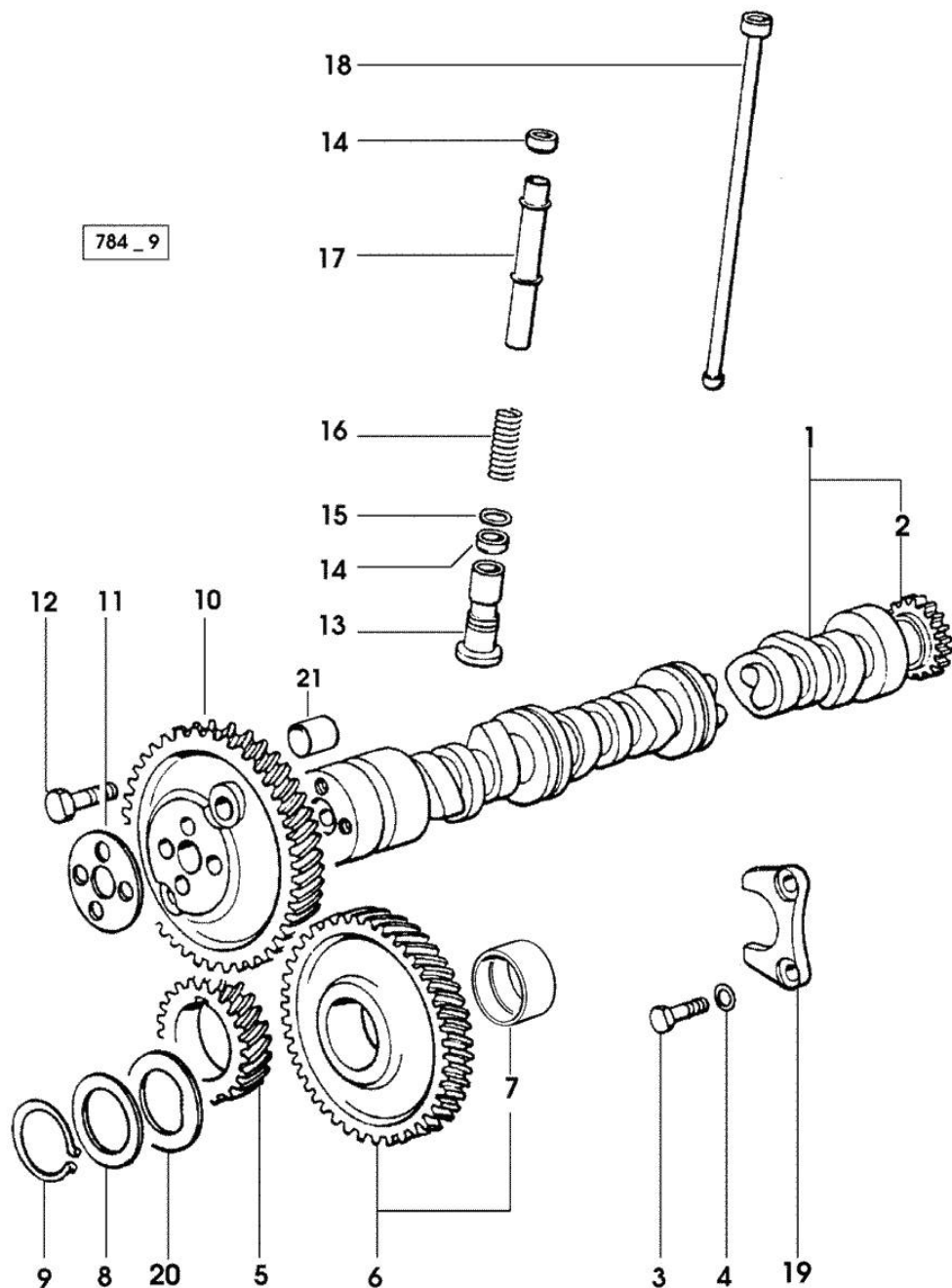
Section: ENGINE
CRANKSHAFT

| Fig. | P/n | QTY | Name |
|------|-----------------|-----|--|
| 30 | 2.0399.144.7/10 | 1 | - X B (...) <= screw m 20 p.1.5x51 |
| 31 | 0.011.2141.0/10 | 1 | hub - FOR MODELS EQUIPPED WITH FRONT P.T.O. - X B (...) <= |
| 32 | 0.035.1263.0 | 2 | ring - X B (...) <= |
| 33 | 2.1579.949.0 | 1 | ring 50.2x56.8x8 - X B (...) <= |
| 34 | 2.0439.195.7 | 1 | stud bolt m 20 p.1.5x80 - X B (...) <= |
| 35 | 2.1019.094.7 | 1 | nut m 20 p.1.5 - X B (...) <= |
| 36 | 2.3130.001.1 | 6 | plug 1/8" gas |
| 37 | 2.0432.003.7 | 2 | stud bolt m 8 p.1.25 / p.1 x 20 |
| 38 | 2.1011.105.2 | 2 | nut m 8 p.1.25 |
| 39 | 2.1651.915.0 | 1 | pin 12x35 |
| 40 | 0.011.2206.0/10 | 1 | hub - X A => (...) |



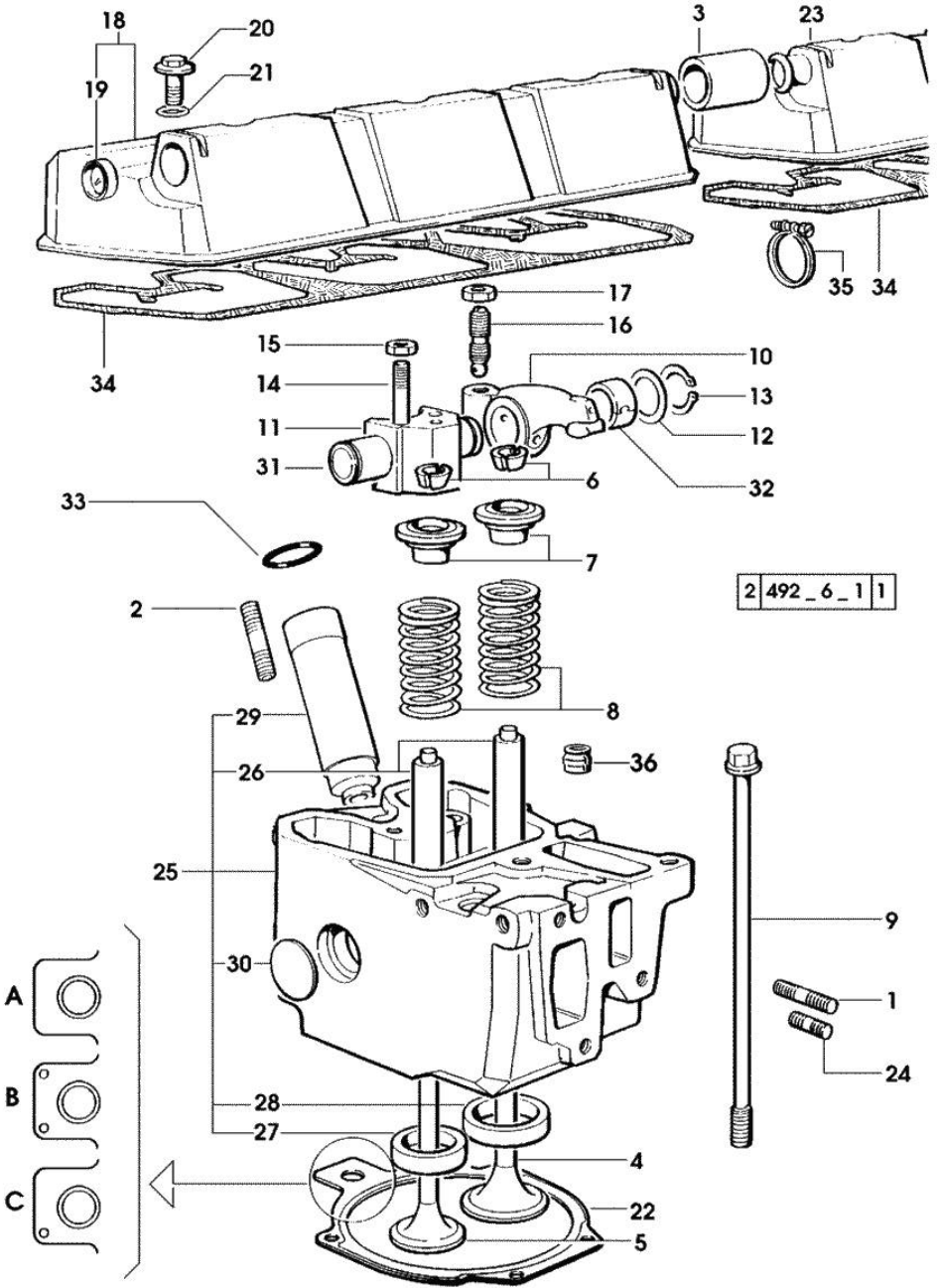
Section: ENGINE

CAMSHAFT



| Fig. | P/n | QTY | Name |
|----------------------|-----------------|-----|--|
| Notes: | | | |
| [RACING 150 -> 3001] | | | |
| 1 | 0.010.4968.3/10 | 1 | camshaft - EXPORT U.S.A. - X 165HP - 190HP - HI.PER. |
| 1 | 0.075.1310.3/30 | 1 | camshaft |
| 2 | 0.065.1324.0/10 | 1 | gear Z = 32 |
| 3 | 2.0312.205.2 | 2 | screw |
| 4 | 2.1480.014.1 | 2 | washer 8 |
| 5 | 0.007.1188.0/20 | 1 | gear Z = 29 |
| 6 | 0.007.1177.3/10 | 1 | gear z = 57 - WITH RED IDENTIFICATION STAMP |
| 6 | 0.007.1178.3/10 | 1 | gear z = 57 - WITH YELLOW IDENTIFICATION STAMP |
| 6 | 0.007.1179.3/10 | 1 | gear z = 57 - WITH GREEN IDENTIFICATION STAMP |
| 7 | 2.1559.185.0/10 | 1 | bushing |
| 8 | 0.065.1352.0 | 1 | shim |
| 9 | 2.1410.016.1 | 1 | circlip 40 |
| 10 | 0.065.1354.0/20 | 1 | gear z=58 |
| 11 | 0.065.1350.0 | 1 | small disc |
| 12 | 2.0132.207.2 | 4 | screw m 10 p.1 x 25 |
| 13 | 0.065.1330.0 | 12 | tappets |
| 14 | 2.1569.114.0/10 | 24 | gasket 14x18.5x8 |
| 15 | 2.1599.437.0 | 12 | shoulder ring |
| 16 | 2.4019.300.1/10 | 12 | spring 18.5x52x2 |
| 17 | 0.065.1332.0 | 12 | sleeve |
| 18 | 0.065.1331.2 | 12 | rod |
| 19 | 0.065.1353.0 | 1 | small plate |
| 20 | 0.065.1351.0 | 2 | shoulder ring |
| 21 | 2.1559.398.0 | 1 | bushing 10.5x13x12 |

Section: ENGINE
CYLINDER HEAD



| Fig. | P/n | QTY | Name |
|------|-----|-----|------|
|------|-----|-----|------|

Notes:
 [RACING 150 -> 3001]

| | | | |
|----|-----------------|----|------------------------------------|
| 1 | 2.0432.011.7 | 6 | stud bolt m 8 p.1.25 / p.1 x 40 |
| 2 | 2.0432.161.7 | 6 | stud bolt m 10 p.1.5 / p.1.25 x 40 |
| 3 | 0.075.1452.0/10 | 1 | sleeve |
| 4 | 0.007.1146.0/10 | 6 | inlet valve mm 43.63 / Ø mm 9 |
| 5 | 0.007.1147.0/10 | 6 | exhaust valve mm 39.1 / Ø mm 9 |
| 6 | 0.074.1423.0 | 24 | conical valve cotter |
| 7 | 0.066.1425.0 | 12 | cup |
| 8 | 2.4019.287.0 | 12 | spring |
| 9 | 0.066.1443.0/10 | 24 | screw |
| 10 | 0.066.1432.0 | 6 | rocker arm |
| 11 | 0.066.1430.0/10 | 6 | support |
| 12 | 2.1599.432.0 | 12 | shoulder ring |
| 13 | 2.1410.055.7 | 12 | circlip 19 |
| 14 | 2.0432.163.7 | 6 | stud bolt m 10 p.1.5 / p.1.25 x 45 |
| 15 | 2.1011.421.2 | 12 | nut m 10 p.1.25 |
| 16 | 0.021.1434.0 | 12 | screw |
| 17 | 2.1011.405.2 | 12 | nut m 8 p.1 |
| 18 | 0.078.1440.3 | 1 | cover |
| 19 | 2.3171.008.4 | 1 | plug 20 |
| 20 | 2.0399.130.2/10 | 6 | screw m 8x36x44 |
| 21 | 2.1532.035.0 | 6 | oil seal 14x1.78 |
| 22 | 0.078.1451.0/40 | 6 | head gasket -A- |
| 22 | 0.078.1452.0/30 | 6 | head gasket -B- |
| 22 | 0.078.1453.0/40 | 6 | head gasket -C- |
| 23 | 0.078.1450.3 | 1 | cover |
| 24 | 2.0432.005.7 | 6 | stud bolt m 8 p.1.5 / p.1 x 25 |
| 25 | 0.007.1360.3/60 | 6 | head |
| 26 | 0.007.1779.0/10 | 12 | valve guide |
| 27 | 0.066.1427.0 | 6 | valve seat |
| 28 | 0.078.1426.0 | 6 | valve seat |
| 29 | 0.010.6041.0 | 6 | bush |
| 30 | 2.3170.012.1 | 2 | expansion plug 30 |
| 31 | 0.066.1431.0 | 1 | pin |
| 32 | 2.1559.021.0/40 | 1 | bushing 15x19x22 |
| 33 | 2.1530.051.0 | 6 | oil seal 20.22x3.53 |
| 34 | 0.009.3877.0/10 | 2 | tappet gasket |
| 35 | 2.6859.052.2 | 2 | clamp |
| 36 | 2.1519.117.0 | 12 | special oil seal |

Buy Now



Our support email:

ebooklibonline@outlook.com