

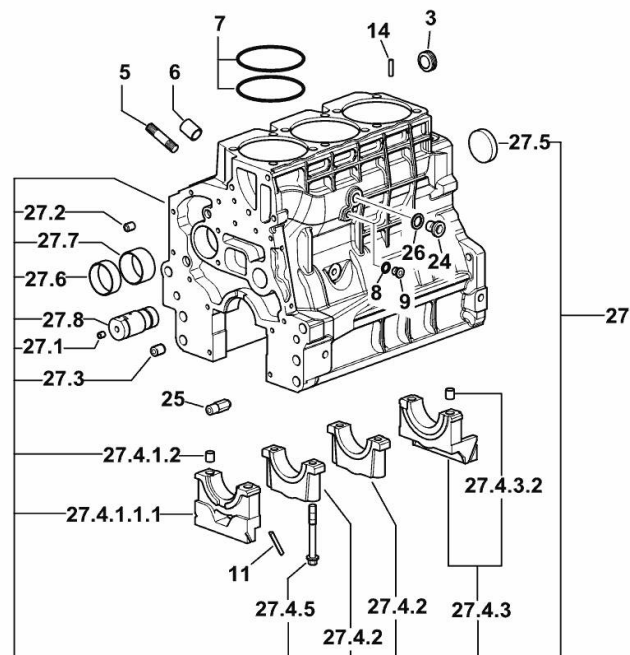
## Section: B0 - ENGINE

**CRANKCASE**

Fig.	P/n	QTY	Name
------	-----	-----	------

**Notes:**

[RF.70 -&gt; 6001]



3	2.3199.312.2/20	1	plug m 35x1.5x9.5
5	2.0439.273.7	6	stud bolt m 8
6	2.1559.188.2	3	bush 11.4 x 14 x16
7	2.1539.259.0	6	special oil seal 107.62x2.62
8	2.1560.010.0	1	gasket 14.2 x 20
9	2.3199.292.0	1	plug 1/4" gas
11	0.066.1152.0/10	4	gasket
14	2.1549.154.2	3	bush 4.8x5.8x16
24	2.3120.101.0	1	plug m 18 p.1.5
25	0.013.4946.0/10	1	sprayer nozzle
26	2.1560.014.0	1	washer 18.2 x 24
27	0.015.2793.4/10	1	crankcase
27.1	2.3130.001.1	9	plug 1/8" gas
27.2	2.3130.002.1	2	plug 1/4" gas
27.3	2.3130.003.1	2	plug 3/8" gas
27.4.1.1.1	0.065.1112.7/10	1	support
27.4.1.2	2.1699.165.0	1	bush 12.3x15x16
27.4.2	0.065.1114.0/10	2	support
27.4.3	0.065.1116.3	1	support
27.4.3.2	2.1699.165.0	1	bush 12.3x15x16
27.4.5	0.065.1117.0	8	screw m 12 x 100
27.5	2.3179.012.0	1	plug 60
27.6	0.065.1140.0	3	special bushing 59X55X20
27.7	0.065.1141.0	1	special bushing 59X55X30
27.8	0.014.1340.0/10	1	pin mm 85

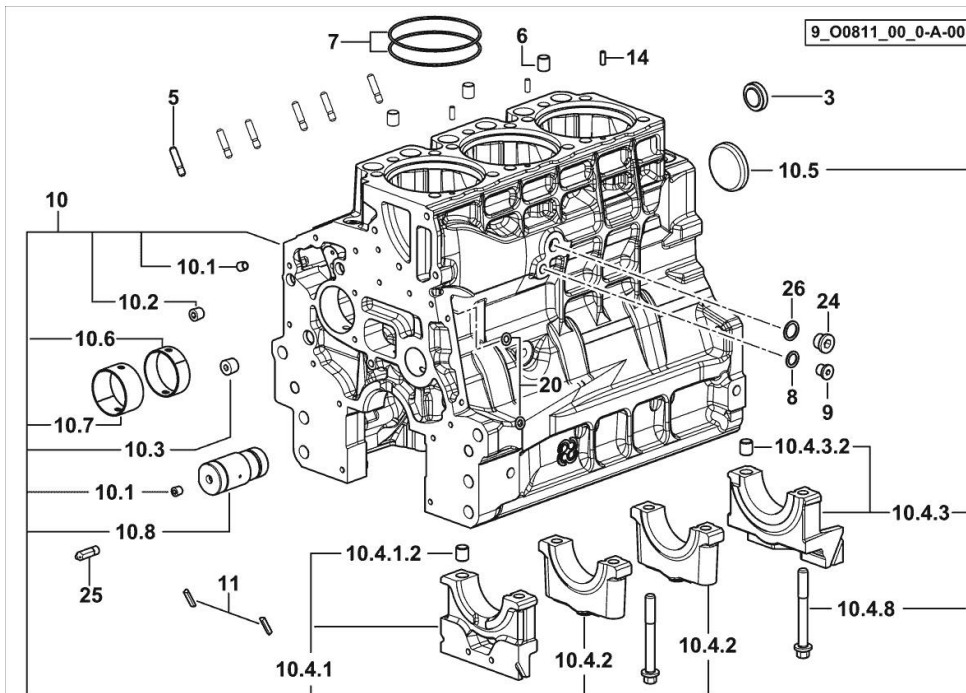
## Section: B0 - ENGINE

**CRANKCASE**

Fig.	P/n	QTY	Name
------	-----	-----	------

**Notes:**

- EXPORT U.S.A. [RF.70 -&gt; 6001]



3	2.3199.312.2/20	1	plug m 35x1.5x9.5
5	2.0439.279.7	6	stud bolt m 8 p.1 x 25
6	2.1559.188.2	3	bush 11.4 x 14 x16
7	2.1539.259.0	6	special oil seal 107.62x2.62
8	2.1560.010.0	1	gasket 14.2 x 20
9	2.3199.292.0	1	plug 1/4" gas
10	0.014.9911.4/30	1	crankcase
10.1	2.3130.001.1	12	plug 1/8" gas
10.2	2.3130.002.1	4	plug 1/4" gas
10.3	2.3130.003.1	2	plug 3/8" gas
10.4.1	0.065.1112.3	1	support
10.4.1.2	2.1699.165.0	1	bush 12.3x15x16
10.4.2	0.065.1114.0/10	2	support
10.4.3	0.065.1116.3	1	support
10.4.3.2	2.1699.165.0	1	bush 12.3x15x16
10.4.8	0.065.1117.0	8	screw m 12 x 100
10.5	2.3179.012.0	1	plug 60
10.6	0.065.1140.0	3	special bushing 59X55X20
10.7	0.065.1141.0	1	special bushing 59X55X30
10.8	0.014.1340.0/10	1	pin mm 85
11	0.066.1152.0/10	4	gasket
14	2.1549.154.2	3	bush 4.8x5.8x16
20	2.1470.004.2	4	lock washer 8
24	2.3120.101.0	1	plug m 18 p.1.5
25	0.013.4946.0/10	1	sprayer nozzle
26	2.1560.014.0	1	washer 18.2 x 24

Section: B0 - ENGINE

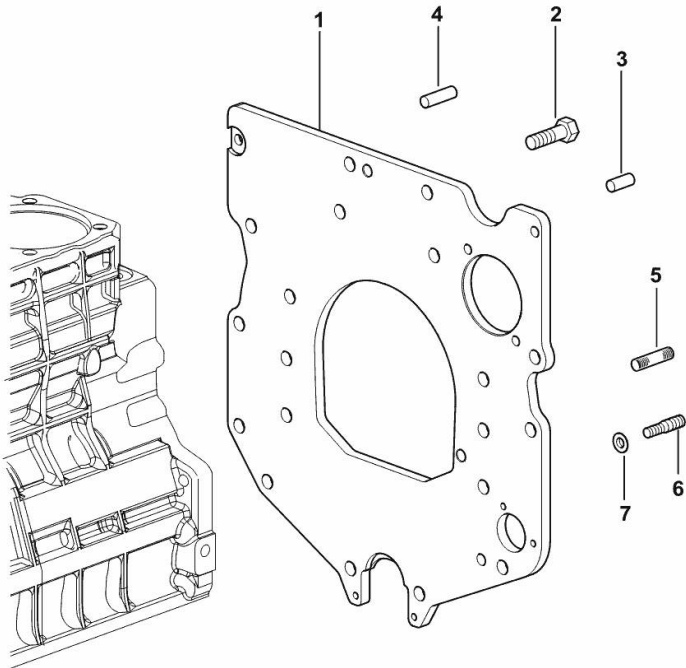
**MONOBLOC ENGINE-GEARBOX CONNECTING FLANGE**

Fig.	P/n	QTY	Name
------	-----	-----	------

**Notes:**

[RF.70 -&gt; 6001]

1	0.007.7752.0/30	1	flange
2	2.0112.511.2	8	screw m 14 p.2 x 30
3	2.1651.912.0	2	cylindrical plug 12x28
4	2.1651.917.0	1	cylindrical plug 12x40
5	2.0432.257.7	1	stud bolt m 12 p.1.75 - 1.25 x 30
6	2.0439.250.7	1	stud bolt m 12 / m 10 x 30
7	0.011.9294.0/10	1	bush



9\_37311\_01\_0-A-001

Section: B0 - ENGINE

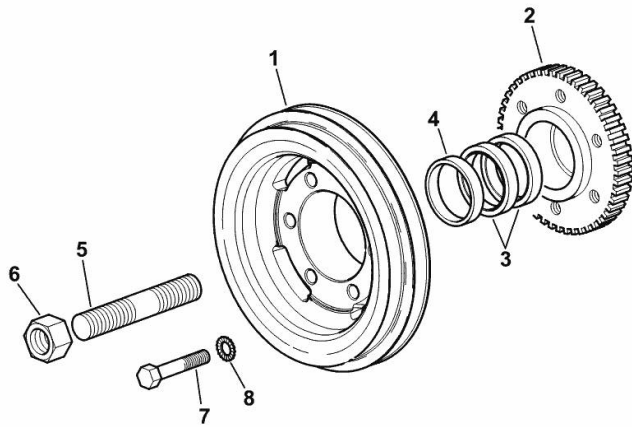
**CRANKSHAFT PULLEY**

Fig.	P/n	QTY	Name
------	-----	-----	------

**Notes:**

[RF.70 -&gt; 6001]

1	0.013.6349.0/10	1	pulley
2	0.011.3515.0/20	1	hub Z = 48
3	0.065.1256.0	2	ring 45x52
4	2.1579.865.0	1	spacer 45.2x51.8x10
5	2.0439.195.7	1	stud bolt m 20 p.1.5x80
6	2.1019.094.7	1	nut m 20 p.1.5
7	2.0112.320.2	6	screw m 10 p.1.5 x 55
8	2.1470.006.2	6	lock washer 10



9\_N1412\_03\_0-A-001

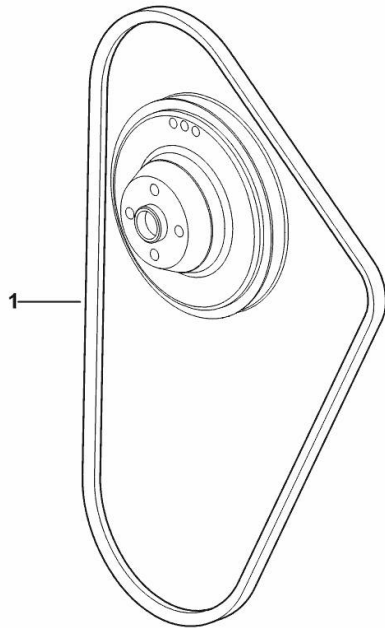
**COOLANT PUMP AND ALTERNATOR DRIVEBELT**

Fig.	P/n	QTY	Name
------	-----	-----	------

**Notes:**

[RF.70 -&gt; 6001]

1	2.4119.177.0	1	belt AV 12.7x1285 mm
---	--------------	---	----------------------



9\_N4817\_02\_0-A-001

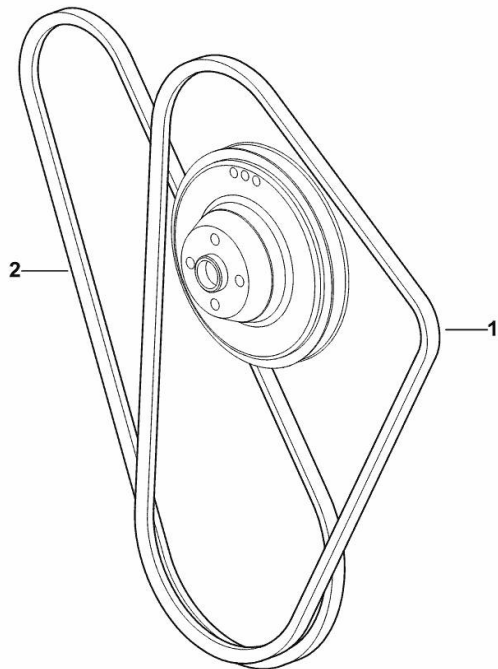
**COOLANT PUMP AND ALTERNATOR DRIVEBELT**

Fig.	P/n	QTY	Name
------	-----	-----	------

**Notes:**

- FOR MODELS WITH COMPRESSOR [RF.70 -> 6001] 6023 <-

1	2.4119.149.0/10	1	belt AV 13x1262 mm
2	2.4119.143.0	1	belt AV 12.7x1225 mm



9\_N1417\_04\_0-A-001

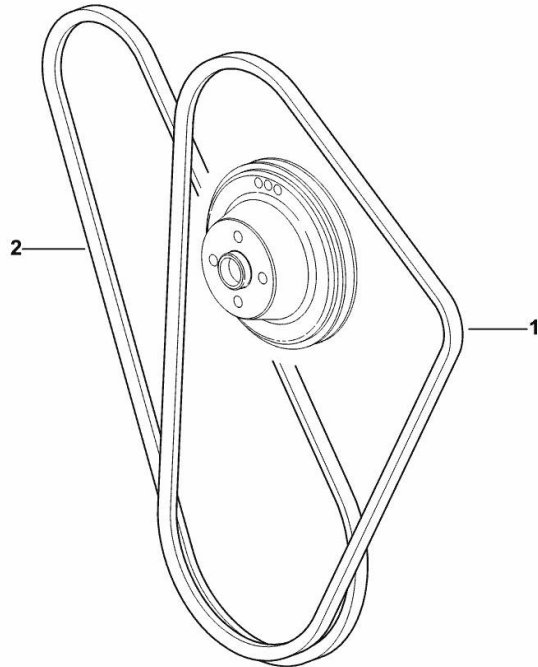
**COOLANT PUMP AND ALTERNATOR DRIVEBELT**

Fig.	P/n	QTY	Name
------	-----	-----	------

**Notes:**

- FOR MODELS WITH COMPRESSOR [RF.70 -&gt; 6001] -&gt; 6030

1	2.4119.177.0	1	belt AV 12.7x1285 mm
2	2.4119.143.0	1	belt AV 12.7x1225 mm



9\_N4917\_04\_0-A-001

**Buy Now**



Our support email:

[ebooklibonline@outlook.com](mailto:ebooklibonline@outlook.com)