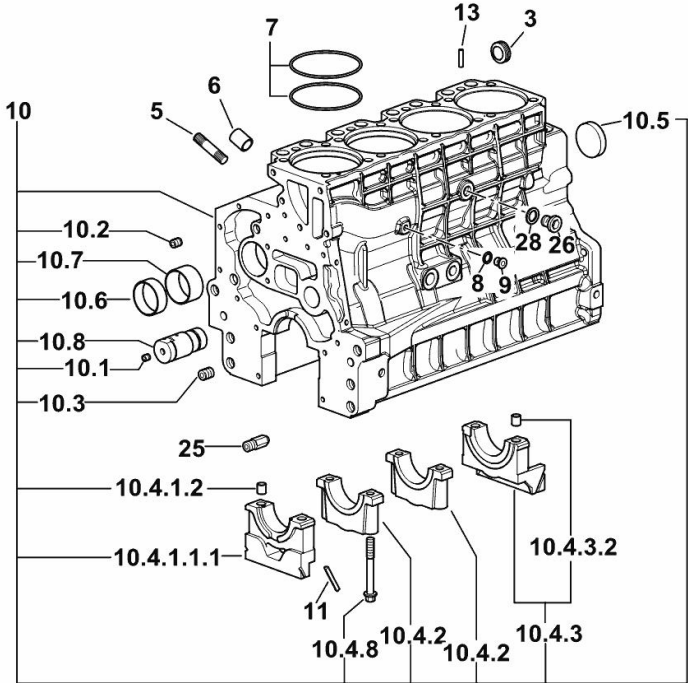


CRANKCASE

| Fig. | P/n | QTY | Name |
|------|-----|-----|------|
|------|-----|-----|------|

Notes:  
 FOR ENGINES PRODUCED IN : TREVIGLIO ITALY [RS.100 -> ZKDP5402W0TL01001]



9\_O1011\_00\_0-A-001

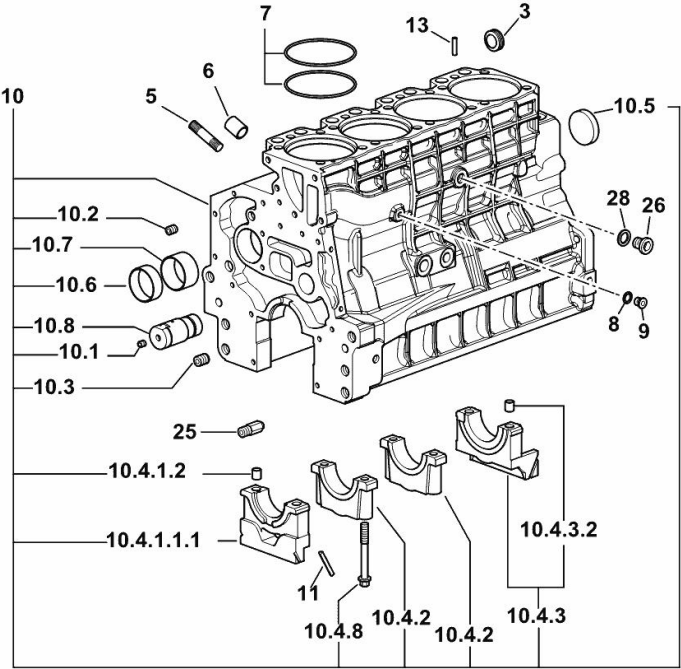
|            |                 |    |                              |
|------------|-----------------|----|------------------------------|
| 3          | 2.3199.312.2/20 | 1  | plug m 35x1.5x9.5            |
| 5          | 2.0439.279.7    | 8  | stud bolt m 8 p.1 x 25       |
| 6          | 2.1559.188.2    | 4  | bush 11.4 x 14 x16           |
| 7          | 2.1539.259.0    | 8  | special oil seal 107.62x2.62 |
| 8          | 2.1560.010.0    | 1  | gasket 14.2 x 20             |
| 9          | 2.3199.292.0    | 1  | plug 1/4" gas                |
| 10         | 0.014.9655.4/30 | 1  | crankcase                    |
| 10.1       | 2.3130.001.1    | 14 | plug 1/8" gas                |
| 10.2       | 2.3130.002.1    | 4  | plug 1/4" gas                |
| 10.3       | 2.3130.003.1    | 6  | plug 3/8" gas                |
| 10.4.1.1.1 | 0.065.1112.7/10 | 1  | support                      |
| 10.4.1.2   | 2.1699.165.0    | 1  | bush 12.3x15x16              |
| 10.4.2     | 0.065.1114.0/10 | 3  | support                      |
| 10.4.3     | 0.065.1116.3    | 1  | support                      |
| 10.4.3.2   | 2.1699.165.0    | 1  | bush 12.3x15x16              |
| 10.4.8     | 0.065.1117.0    | 10 | screw m 12 x 100             |
| 10.5       | 2.3179.012.0    | 1  | plug 60                      |
| 10.6       | 0.065.1140.0    | 4  | special bushing 59X55X20     |
| 10.7       | 0.065.1141.0    | 1  | special bushing 59X55X30     |
| 10.8       | 0.014.1340.0/10 | 1  | pin mm 85                    |
| 11         | 0.066.1152.0/10 | 4  | gasket                       |
| 13         | 2.1549.154.2    | 4  | bush 4.8x5.8x16              |
| 25         | 0.013.4946.0/10 | 1  | sprayer nozzle               |
| 26         | 2.3120.101.0    | 1  | plug m 18 p.1.5              |
| 28         | 2.1560.014.0    | 1  | washer 18.2 x 24             |

Section: B0 - ENGINE  
**CRANKCASE**

| Fig. | P/n | QTY | Name |
|------|-----|-----|------|
|------|-----|-----|------|

Notes:  
FOR ENGINES PRODUCED IN : RANIPET - INDIA [RS.100 -> ZKDP5402W0TL01001]

|            |                 |    |                              |
|------------|-----------------|----|------------------------------|
| 3          | 2.3199.312.2/20 | 1  | plug m 35x1.5x9.5            |
| 5          | 2.0439.279.7    | 8  | stud bolt m 8 p.1 x 25       |
| 6          | 2.1559.188.2    | 4  | bush 11.4 x 14 x16           |
| 7          | 2.1539.259.0    | 8  | special oil seal 107.62x2.62 |
| 8          | 2.1560.010.0    | 1  | gasket 14.2 x 20             |
| 9          | 2.3199.292.0    | 1  | plug 1/4" gas                |
| 10         | 0.014.9655.4/30 | 1  | crankcase                    |
| 10.1       | 2.3130.001.1    | 14 | plug 1/8" gas                |
| 10.2       | 2.3130.002.1    | 4  | plug 1/4" gas                |
| 10.3       | 2.3130.003.1    | 6  | plug 3/8" gas                |
| 10.4.1.1.1 | 0.065.1112.7/10 | 1  | support                      |
| 10.4.1.2   | 2.1699.165.0    | 1  | bush 12.3x15x16              |
| 10.4.2     | 0.065.1114.0/10 | 3  | support                      |
| 10.4.3     | 0.065.1116.3    | 1  | support                      |
| 10.4.3.2   | 2.1699.165.0    | 1  | bush 12.3x15x16              |
| 10.4.8     | 0.065.1117.0    | 10 | screw m 12 x 100             |
| 10.5       | 2.3179.012.0    | 1  | plug 60                      |
| 10.6       | 0.065.1140.0    | 4  | special bushing 59X55X20     |
| 10.7       | 0.065.1141.0    | 1  | special bushing 59X55X30     |
| 10.8       | 0.014.1340.0/10 | 1  | pin mm 85                    |
| 11         | 0.066.1152.0/10 | 4  | gasket                       |
| 13         | 2.1549.154.2    | 4  | bush 4.8x5.8x16              |
| 25         | 0.013.4946.0/10 | 1  | sprayer nozzle               |
| 26         | 2.3120.101.0    | 1  | plug m 18 p.1.5              |
| 28         | 2.1560.014.0    | 1  | washer 18.2 x 24             |



19\_O1011\_00\_0-A-001

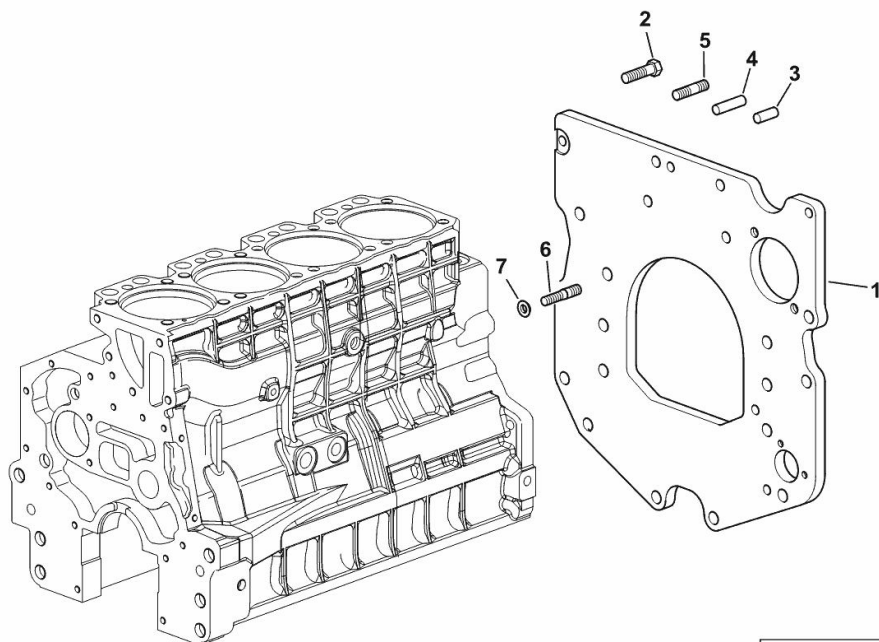
**MONOBLOC ENGINE-GEARBOX CONNECTING FLANGE**

| Fig. | P/n | QTY | Name |
|------|-----|-----|------|
|------|-----|-----|------|

**Notes:**

FOR ENGINES PRODUCED IN : TREVIGLIO ITALY [RS.100 -&gt; ZKDP5402W0TL01001]

|   |                 |   |                                   |
|---|-----------------|---|-----------------------------------|
| 1 | 0.007.1882.0/50 | 1 | flange                            |
| 2 | 2.0112.511.2    | 8 | screw m 14 p.2 x 30               |
| 3 | 2.1651.912.0    | 2 | cylindrical plug 12x28            |
| 4 | 2.1651.917.0    | 1 | cylindrical plug 12x40            |
| 5 | 2.0432.257.7    | 1 | stud bolt m 12 p.1.75 - 1.25 x 30 |
| 6 | 2.0439.250.7    | 1 | stud bolt m 12 / m 10 x 30        |
| 7 | 0.011.9294.0/10 | 1 | bush                              |



9\_38611\_01\_0-A-001

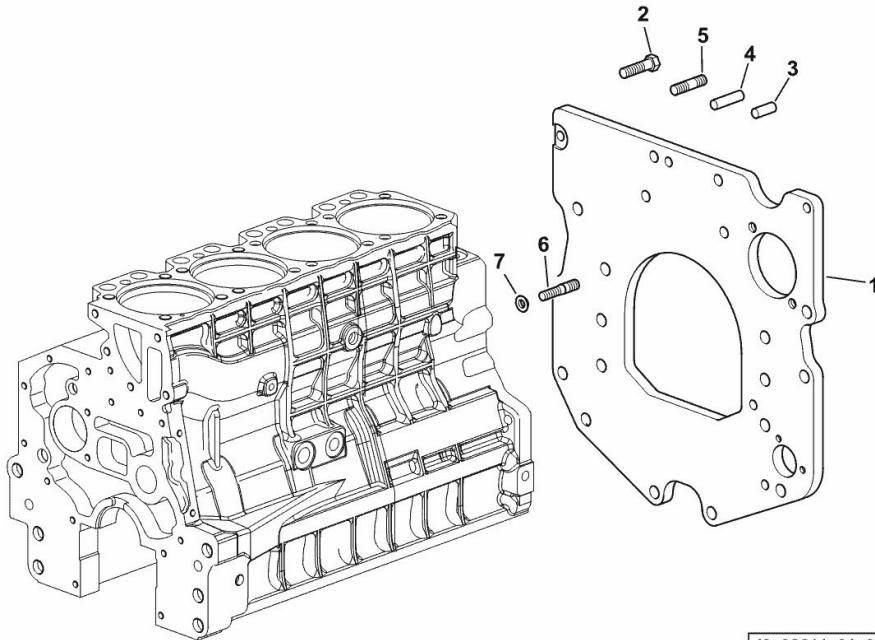
**MONOBLOC ENGINE-GEARBOX CONNECTING FLANGE**

| Fig. | P/n | QTY | Name |
|------|-----|-----|------|
|------|-----|-----|------|

**Notes:**

FOR ENGINES PRODUCED IN : RANIPET - INDIA [RS.100 -&gt; ZKDP5402W0TL01001]

|   |                 |   |                                   |
|---|-----------------|---|-----------------------------------|
| 1 | 0.007.1882.0/50 | 1 | flange                            |
| 2 | 2.0112.511.2    | 8 | screw m 14 p.2 x 30               |
| 3 | 2.1651.912.0    | 2 | cylindrical plug 12x28            |
| 4 | 2.1651.917.0    | 1 | cylindrical plug 12x40            |
| 5 | 2.0432.257.7    | 1 | stud bolt m 12 p.1.75 - 1.25 x 30 |
| 6 | 2.0439.250.7    | 1 | stud bolt m 12 / m 10 x 30        |
| 7 | 0.011.9294.0/10 | 1 | bush                              |



I9\_38611\_01\_0-A-001

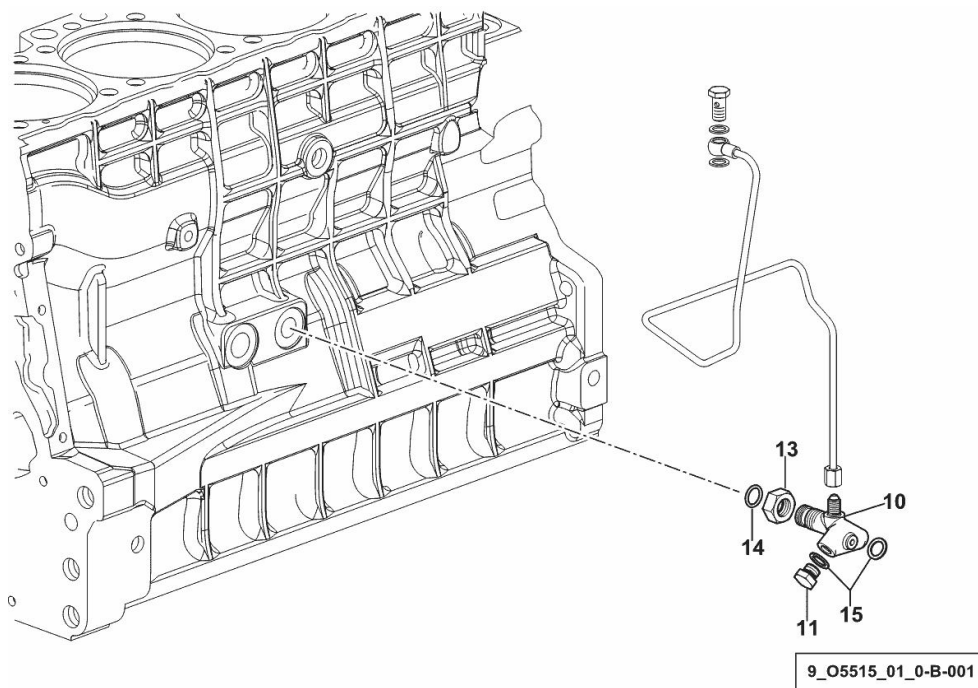
**ENGINE OIL AND TURBO PRESSURE SWITCH UNION**

| Fig. | P/n | QTY | Name |
|------|-----|-----|------|
|------|-----|-----|------|

**Notes:**

FOR ENGINES PRODUCED IN : TREVIGLIO ITALY [RS.100 -&gt; ZKDP5402W0TL01001]

|    |                 |   |                     |
|----|-----------------|---|---------------------|
| 10 | 2.3339.787.0/10 | 1 | pipe fitting 7/16"  |
| 11 | 2.3110.403.1    | 1 | plug m 14 p.1.5x12  |
| 13 | 2.1019.129.2/10 | 1 | nut m 18 p.1.5x12   |
| 14 | 2.1533.038.0    | 1 | oil seal 15.45x2.62 |
| 15 | 2.1560.010.0    | 2 | gasket 14.2 x 20    |



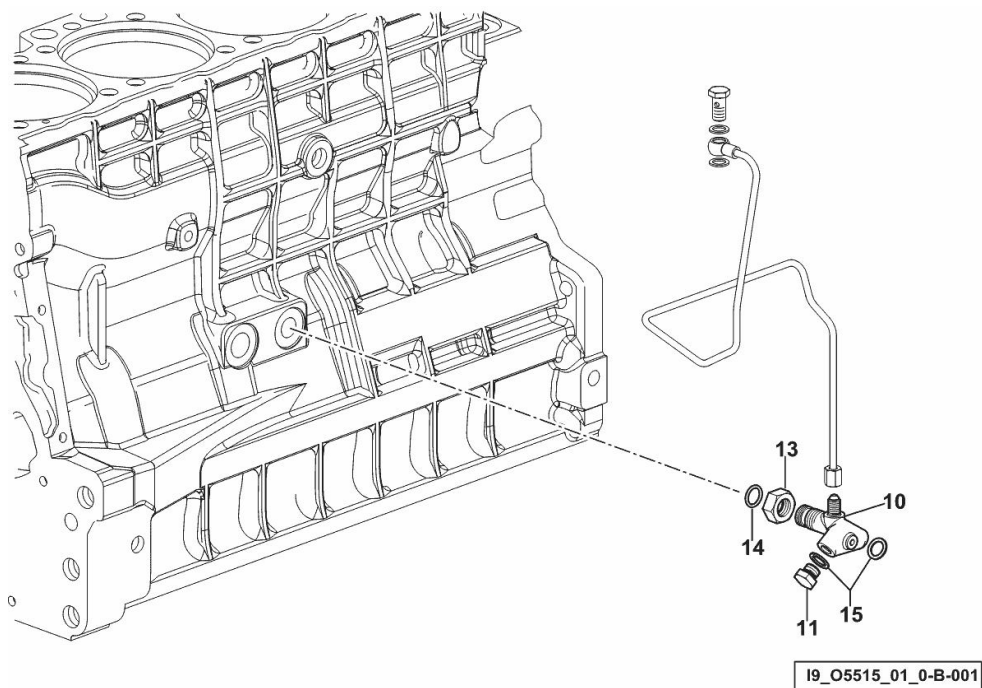
**ENGINE OIL AND TURBO PRESSURE SWITCH UNION**

| Fig. | P/n | QTY | Name |
|------|-----|-----|------|
|------|-----|-----|------|

**Notes:**

FOR ENGINES PRODUCED IN : RANIPET - INDIA [RS.100 -&gt; ZKDP5402W0TL01001]

|    |                 |   |                     |
|----|-----------------|---|---------------------|
| 10 | 2.3339.787.0/10 | 1 | pipe fitting 7/16"  |
| 11 | 2.3110.403.1    | 1 | plug m 14 p.1.5x12  |
| 13 | 2.1019.129.2/10 | 1 | nut m 18 p.1.5x12   |
| 14 | 2.1533.038.0    | 1 | oil seal 15.45x2.62 |
| 15 | 2.1560.010.0    | 2 | gasket 14.2 x 20    |



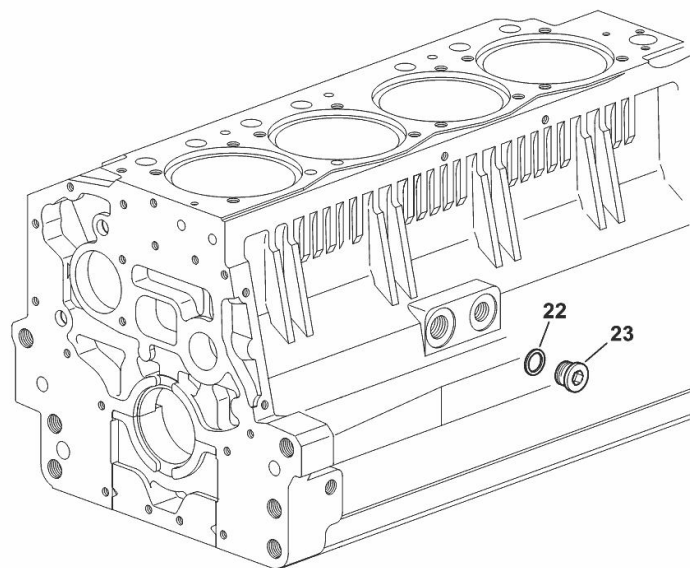
**SIDE PLUG FOR CYLINDER BLOCK**

| Fig. | P/n | QTY | Name |
|------|-----|-----|------|
|------|-----|-----|------|

**Notes:**

FOR ENGINES PRODUCED IN : TREVIGLIO ITALY [RS.100 -&gt; ZKDP5402W0TL01001]

|    |              |   |                  |
|----|--------------|---|------------------|
| 22 | 2.1560.017.0 | 1 | gasket 22.2 x 27 |
| 23 | 2.3120.002.4 | 1 | plug m 22 x 1.5  |



9\_33211\_07\_0-A-001

**Buy Now**



Our support email:

[ebooklibonline@outlook.com](mailto:ebooklibonline@outlook.com)