

Section: B0 - ENGINE

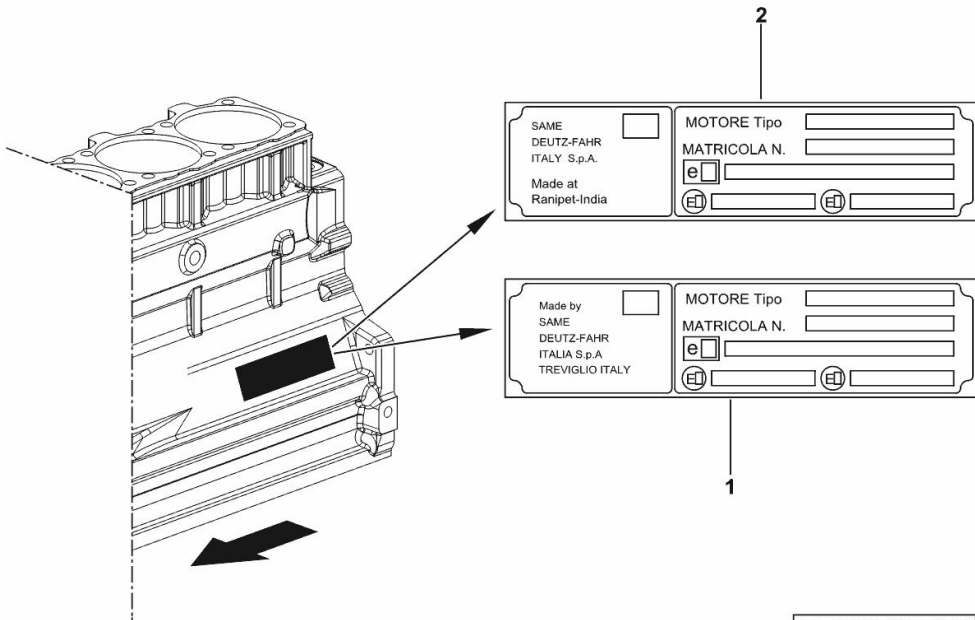
**ENGINE TYPE-APPROVAL DATA PLATE**

| Fig. | P/n | QTY | Name |
|------|-----|-----|------|
|------|-----|-----|------|

**Notes:**

[RS.80 -> ZKDP5802W0TL05001]

|   |              |  |   |
|---|--------------|--|---|
| 1 | 0.000.0000.1 |  | cannot be supplied<br>MADE BY TREVIGLIO ITALY |
| 2 | 0.000.0000.1 |  | cannot be supplied<br>MADE AT RANIPET - INDIA |



9\_STA000\_00\_0-A-001

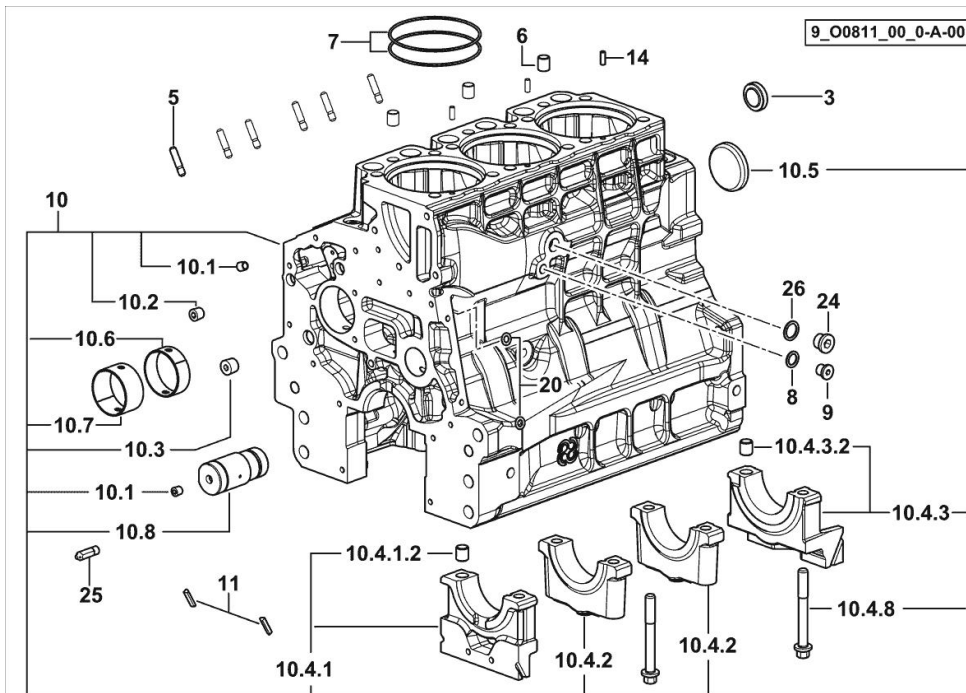
## Section: B0 - ENGINE

**CRANKCASE**

| Fig. | P/n | QTY | Name |
|------|-----|-----|------|
|------|-----|-----|------|

**Notes:**

FOR ENGINES PRODUCED IN : TREVIGLIO ITALY [RS.80 -&gt; ZKDP5802W0TL05001]



|          |                 |    |                              |
|----------|-----------------|----|------------------------------|
| 3        | 2.3199.312.2/20 | 1  | plug m 35x1.5x9.5            |
| 5        | 2.0439.279.7    | 6  | stud bolt m 8 p.1 x 25       |
| 6        | 2.1559.188.2    | 3  | bush 11.4 x 14 x16           |
| 7        | 2.1539.259.0    | 6  | special oil seal 107.62x2.62 |
| 8        | 2.1560.010.0    | 1  | gasket 14.2 x 20             |
| 9        | 2.3199.292.0    | 1  | plug 1/4" gas                |
| 10       | 0.014.9911.4/30 | 1  | crankcase                    |
| 10.1     | 2.3130.001.1    | 12 | plug 1/8" gas                |
| 10.2     | 2.3130.002.1    | 4  | plug 1/4" gas                |
| 10.3     | 2.3130.003.1    | 2  | plug 3/8" gas                |
| 10.4.1   | 0.065.1112.3    | 1  | support                      |
| 10.4.1.2 | 2.1699.165.0    | 1  | bush 12.3x15x16              |
| 10.4.2   | 0.065.1114.0/10 | 2  | support                      |
| 10.4.3   | 0.065.1116.3    | 1  | support                      |
| 10.4.3.2 | 2.1699.165.0    | 1  | bush 12.3x15x16              |
| 10.4.8   | 0.065.1117.0    | 8  | screw m 12 x 100             |
| 10.5     | 2.3179.012.0    | 1  | plug 60                      |
| 10.6     | 0.065.1140.0    | 3  | special bushing 59X55X20     |
| 10.7     | 0.065.1141.0    | 1  | special bushing 59X55X30     |
| 10.8     | 0.014.1340.0/10 | 1  | pin mm 85                    |
| 11       | 0.066.1152.0/10 | 4  | gasket                       |
| 14       | 2.1549.154.2    | 3  | bush 4.8x5.8x16              |
| 20       | 2.1470.004.2    | 4  | lock washer 8                |
| 24       | 2.3120.101.0    | 1  | plug m 18 p.1.5              |
| 25       | 0.013.4946.0/10 | 1  | sprayer nozzle               |
| 26       | 2.1560.014.0    | 1  | washer 18.2 x 24             |

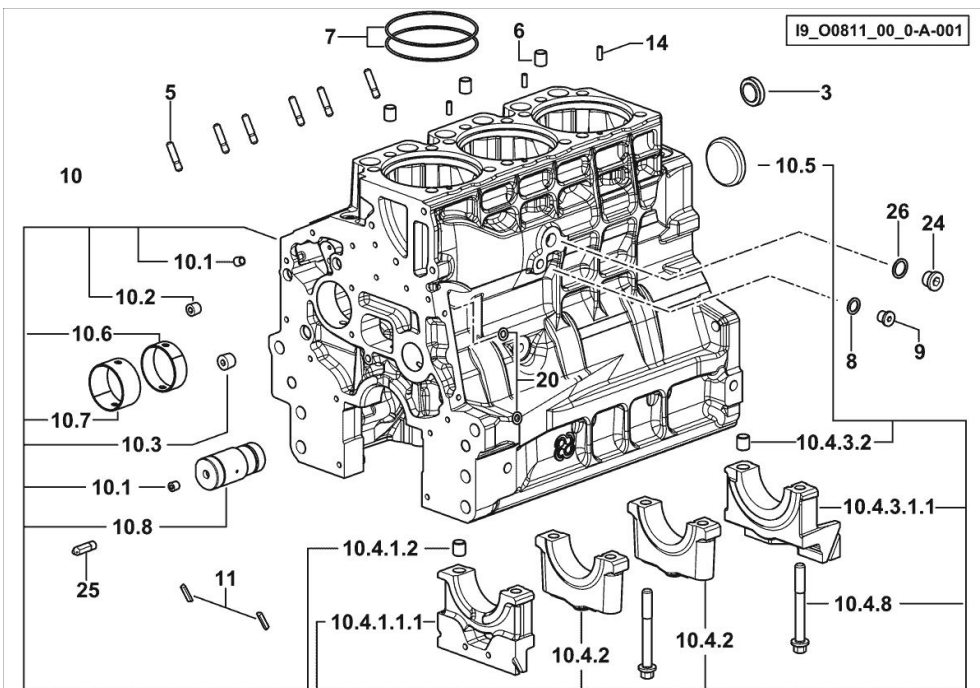
## Section: B0 - ENGINE

**CRANKCASE**

| Fig. | P/n | QTY | Name |
|------|-----|-----|------|
|------|-----|-----|------|

**Notes:**

FOR ENGINES PRODUCED IN : RANIPET - INDIA [RS.80 -&gt; ZKDP5802W0TL05001]



|            |                 |    |                              |
|------------|-----------------|----|------------------------------|
| 3          | 2.3199.312.2/20 | 1  | plug m 35x1.5x9.5            |
| 5          | 2.0439.279.7    | 6  | stud bolt m 8 p.1 x 25       |
| 6          | 2.1559.188.2    | 3  | bush 11.4 x 14 x16           |
| 7          | 2.1539.259.0    | 6  | special oil seal 107.62x2.62 |
| 8          | 2.1560.010.0    | 1  | gasket 14.2 x 20             |
| 9          | 2.3199.292.0    | 1  | plug 1/4" gas                |
| 10         | 0.014.9911.4/30 | 1  | crankcase                    |
| 10.1       | 2.3130.001.1    | 12 | plug 1/8" gas                |
| 10.2       | 2.3130.002.1    | 4  | plug 1/4" gas                |
| 10.3       | 2.3130.003.1    | 2  | plug 3/8" gas                |
| 10.4.1.1.1 | 0.065.1112.7/10 | 1  | support                      |
| 10.4.1.2   | 2.1699.165.0    | 1  | bush 12.3x15x16              |
| 10.4.2     | 0.065.1114.0/10 | 2  | support                      |
| 10.4.3.1.1 | 0.065.1116.7/10 | 1  | support                      |
| 10.4.3.2   | 2.1699.165.0    | 1  | bush 12.3x15x16              |
| 10.4.8     | 0.065.1117.0    | 8  | screw m 12 x 100             |
| 10.5       | 2.3179.012.0    | 1  | plug 60                      |
| 10.6       | 0.065.1140.0    | 3  | special bushing 59X55X20     |
| 10.7       | 0.065.1141.0    | 1  | special bushing 59X55X30     |
| 10.8       | 0.014.1340.0/10 | 1  | pin mm 85                    |
| 11         | 0.066.1152.0/10 | 4  | gasket                       |
| 14         | 2.1549.154.2    | 3  | bush 4.8x5.8x16              |
| 20         | 2.1470.004.2    | 4  | lock washer 8                |
| 24         | 2.3120.101.0    | 1  | plug m 18 p.1.5              |
| 25         | 0.013.4946.0/10 | 1  | sprayer nozzle               |
| 26         | 2.1560.014.0    | 1  | washer 18.2 x 24             |

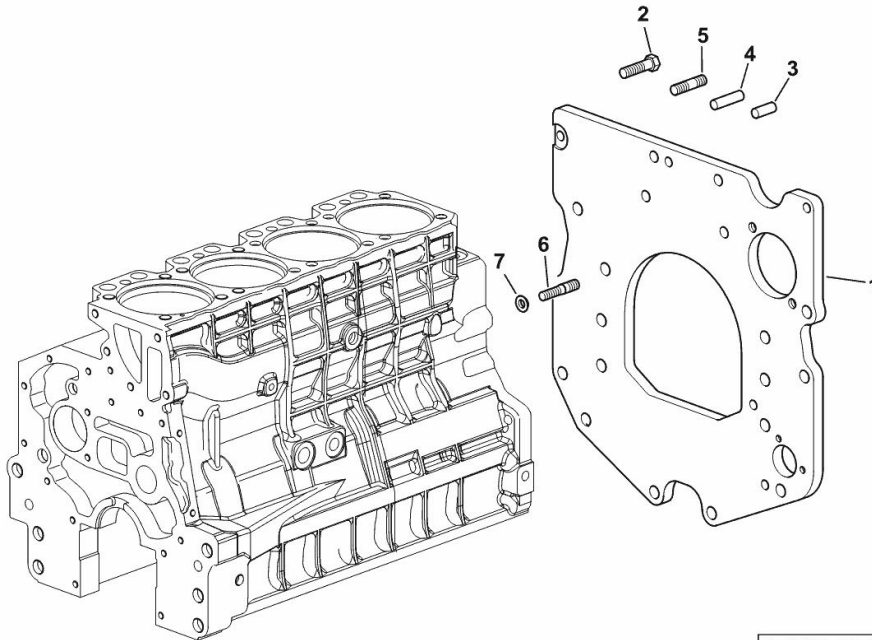
**MONOBLOC ENGINE-GEARBOX CONNECTING FLANGE**

| Fig. | P/n | QTY | Name |
|------|-----|-----|------|
|------|-----|-----|------|

**Notes:**

FOR ENGINES PRODUCED IN : TREVIGLIO ITALY [RS.80 -&gt; ZKDP5802W0TL05001]

|   |                 |   |                                   |
|---|-----------------|---|-----------------------------------|
| 1 | 0.007.1882.0/50 | 1 | flange                            |
| 2 | 2.0112.511.2    | 8 | screw m 14 p.2 x 30               |
| 3 | 2.1651.912.0    | 2 | cylindrical plug 12x28            |
| 4 | 2.1651.917.0    | 1 | cylindrical plug 12x40            |
| 5 | 2.0432.257.7    | 1 | stud bolt m 12 p.1.75 - 1.25 x 30 |
| 6 | 2.0439.250.7    | 1 | stud bolt m 12 / m 10 x 30        |
| 7 | 0.011.9294.0/10 | 1 | bush                              |



9\_38611\_01\_0-A-001

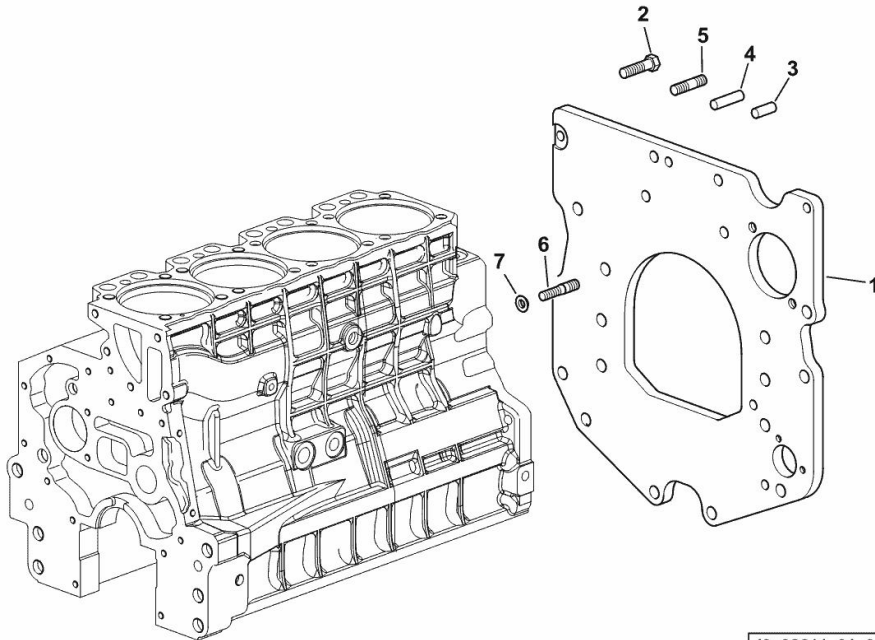
**MONOBLOC ENGINE-GEARBOX CONNECTING FLANGE**

| Fig. | P/n | QTY | Name |
|------|-----|-----|------|
|------|-----|-----|------|

**Notes:**

FOR ENGINES PRODUCED IN : RANIPET - INDIA [RS.80 -&gt; ZKDP5802W0TL05001]

|   |                 |   |                                   |
|---|-----------------|---|-----------------------------------|
| 1 | 0.007.1882.0/50 | 1 | flange                            |
| 2 | 2.0112.511.2    | 8 | screw m 14 p.2 x 30               |
| 3 | 2.1651.912.0    | 2 | cylindrical plug 12x28            |
| 4 | 2.1651.917.0    | 1 | cylindrical plug 12x40            |
| 5 | 2.0432.257.7    | 1 | stud bolt m 12 p.1.75 - 1.25 x 30 |
| 6 | 2.0439.250.7    | 1 | stud bolt m 12 / m 10 x 30        |
| 7 | 0.011.9294.0/10 | 1 | bush                              |



I9\_38611\_01\_0-A-001

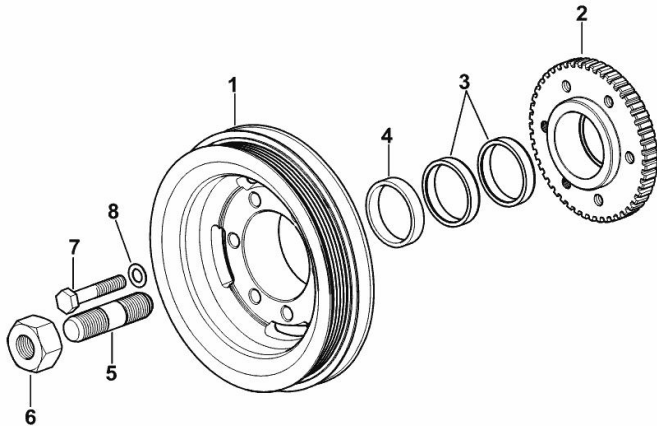
**ENGINE CRANKSHAFT PULLEY WITH RING-FEEDER RINGS**

| Fig. | P/n | QTY | Name |
|------|-----|-----|------|
|------|-----|-----|------|

**Notes:**

FOR ENGINES PRODUCED IN : TREVIGLIO ITALY [RS.80 -&gt; ZKDP5802W0TL05001]

|   |                 |   |                         |
|---|-----------------|---|-------------------------|
| 1 | 0.015.6055.0    | 1 | pulley                  |
| 2 | 0.011.3515.0/20 | 1 | hub Z = 48              |
| 3 | 0.065.1256.0    | 2 | ring 45x52              |
| 4 | 2.1579.865.0    | 1 | spacer 45.2x51.8x10     |
| 5 | 2.0439.195.7    | 1 | stud bolt m 20 p.1.5x80 |
| 6 | 2.1019.094.7    | 1 | nut m 20 p.1.5          |
| 7 | 2.0112.320.2    | 6 | screw m 10 p.1.5 x 55   |
| 8 | 2.1470.006.2    | 6 | lock washer 10          |



9\_O6312\_03\_0-A-001

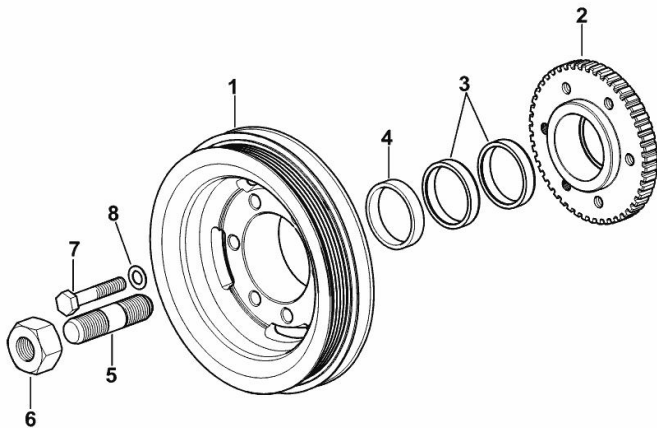
**ENGINE CRANKSHAFT PULLEY WITH RING-FEEDER RINGS**

| Fig. | P/n | QTY | Name |
|------|-----|-----|------|
|------|-----|-----|------|

**Notes:**

FOR ENGINES PRODUCED IN : RANIPET - INDIA [RS.80 -&gt; ZKDP5802W0TL05001]

|   |                 |   |                         |
|---|-----------------|---|-------------------------|
| 1 | 0.015.6055.0    | 1 | pulley                  |
| 2 | 0.011.3515.0/20 | 1 | hub Z = 48              |
| 3 | 0.065.1256.0    | 2 | ring 45x52              |
| 4 | 2.1579.865.0    | 1 | spacer 45.2x51.8x10     |
| 5 | 2.0439.195.7    | 1 | stud bolt m 20 p.1.5x80 |
| 6 | 2.1019.094.7    | 1 | nut m 20 p.1.5          |
| 7 | 2.0112.320.2    | 6 | screw m 10 p.1.5 x 55   |
| 8 | 2.1470.006.2    | 6 | lock washer 10          |



I9\_O6312\_03\_0-A-001

**Buy Now**



Our support email:

[ebooklibonline@outlook.com](mailto:ebooklibonline@outlook.com)