

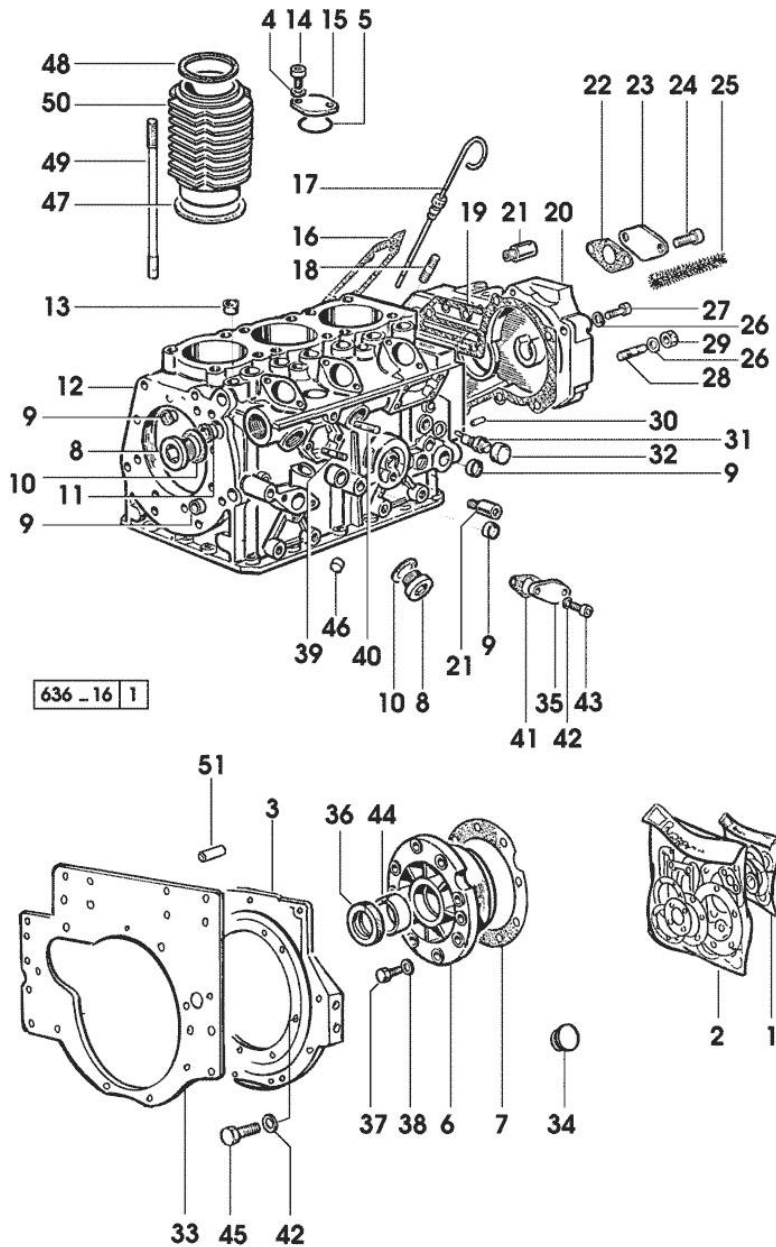
Section: ENGINE

CRANKCASE

Fig.	P/n	QTY	Name
------	-----	-----	------

Notes:
[RUNNER 350A]

1	0.308.0057.6	1	gasket set FOR VALVE GRINDING AND PISTON RING RENEWAL (3 CYLINDERS)
2	0.308.0050.6	1	gasket set - FOR ENGINE MOUNTING
3	0.008.7965.0/40	1	flange * (...) <- - N.2 - 2.1651.707.0
4	2.1310.002.2	1	flat washer 6.4x12.5
5	2.1531.088.0	1	oil seal 33.05x1.78
6	0.009.5050.0	1	support
7	0.009.5023.1	1	gasket mm 0.50
8	0.009.5052.0	3	plug m.30x1.5
9	0.009.5074.2	4	expansion plug 16
10	2.1560.023.0	3	copper gasket 30.3 x 36
11	0.009.5074.0	2	expansion plug 25
12	0.007.1653.0/30	1	crankcase * (...) <- - N.2 - 2.1651.707.0
13	0.009.5075.0	3	expansion plug 8
14	2.0312.102.2	2	screw m 6 p.1 x 12
15	0.009.5019.1	1	flange
16	0.009.5025.2	2	gasket
17	0.009.5005.0	1	dipstick
18	2.0422.202.1	6	stud bolt m 8 x 18
19	0.009.5024.1	1	gasket
20	0.009.6110.0	1	guard
21	0.009.5055.1	2	valve
22	0.009.5020.2	1	gasket
23	0.009.5010.0	1	small cover
24	2.0312.003.1	2	screw m 5 p.0.8 x 14
25	0.009.5038.0	1	guard
26	2.1481.007.1	9	washer 8
27	2.0312.214.1	6	screw m 8 p.1.25 x 40
28	0.009.5083.0	1	stud bolt m 8x38
29	0.009.5017.1	1	special nut m 8
30	0.009.5072.0	1	cylindrical plug 8x16
31	0.009.5044.0	1	register
32	0.009.5051.1	1	cap nut
33	0.008.7964.0/10	1	plate
34	0.009.5073.1	1	plug 24



Section: ENGINE

CRANKCASE

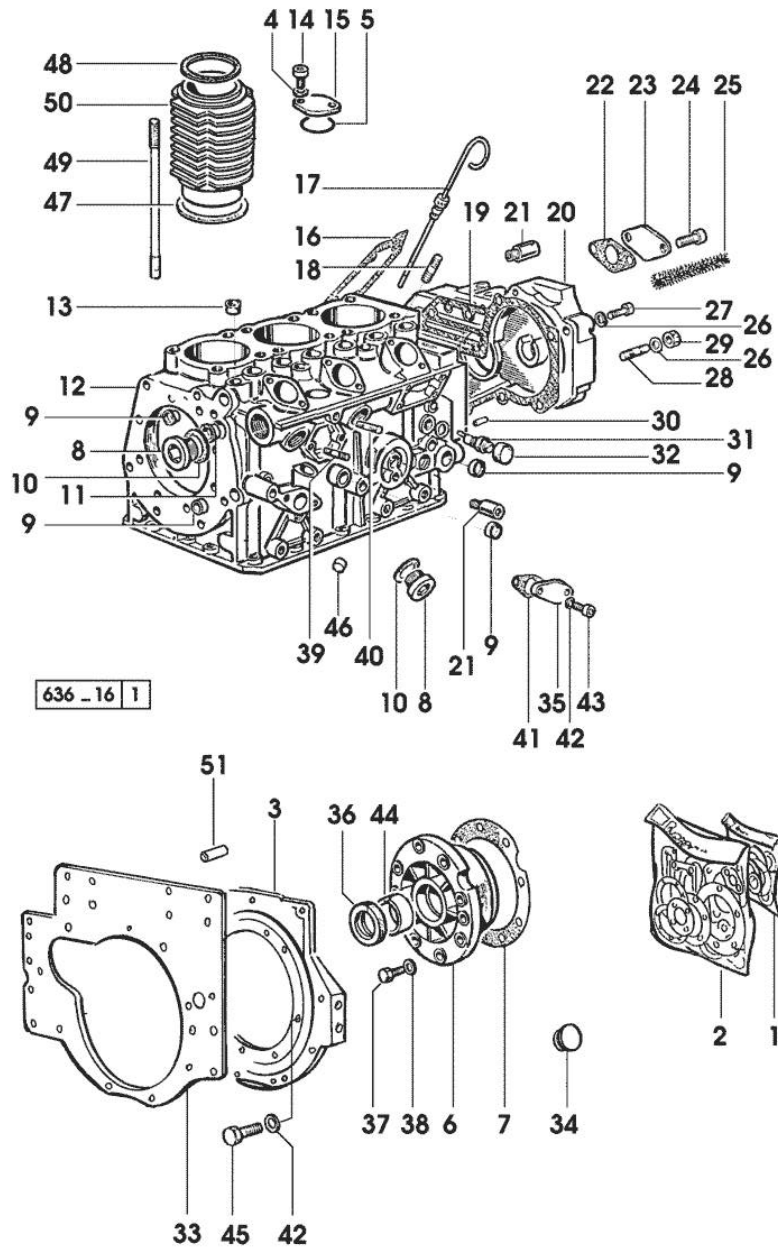
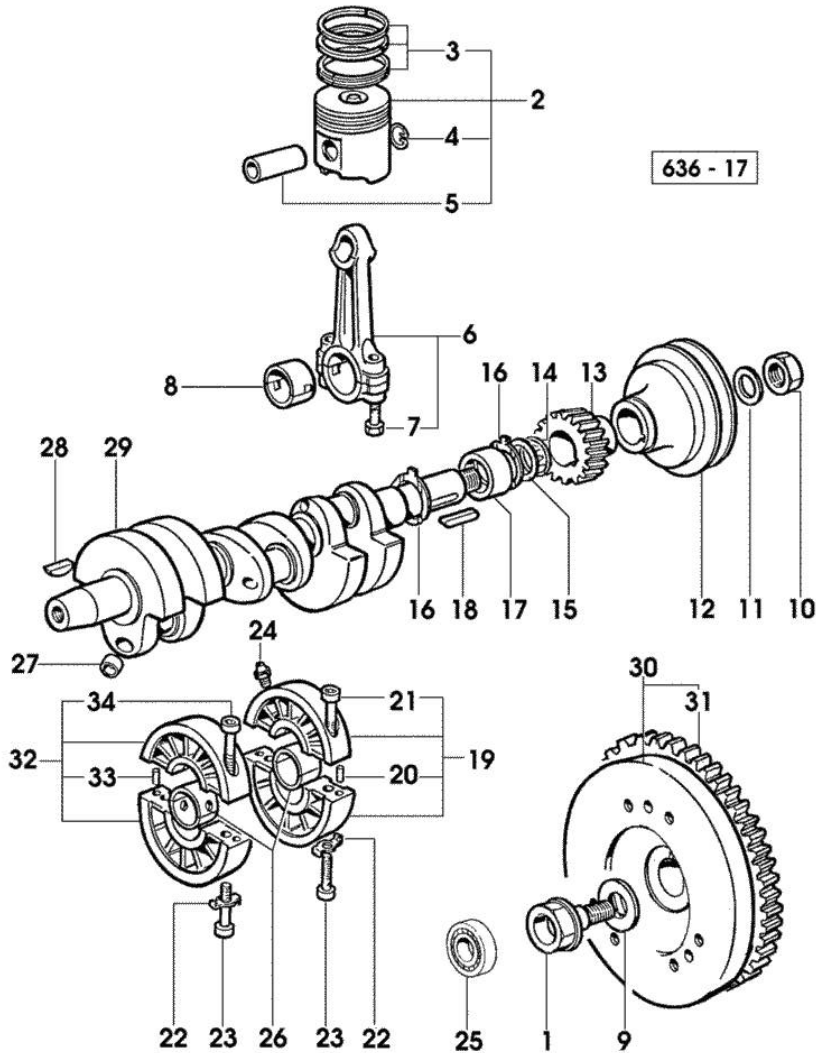


Fig.	P/n	QTY	Name
35	0.009.5010.2	1	cover
36	0.009.5058.0	2	special oil seal 50x65x8
37	2.0112.211.2	8	screw m 8 p.1.25 x 30
38	0.009.5071.2	6	flat washer 8.4x14x1.6
39	2.0422.203.7	3	stud bolt m 8 p.1.25 x 20
40	0.009.5082.0	1	stud bolt m 8 x 15
41	0.009.5020.0	1	gasket
42	2.1475.003.2	7	washer 10
43	2.0312.104.1	2	screw m 6 p.1 x 16
44	0.009.5014.0	2	main half bushing STANDARD
44	0.009.5014.1	2	main half bushing - mm 0.25
44	0.009.5014.2	2	main half bushing - mm 0.50
45	2.0112.310.2	7	screw m 10 p.1.5x28
46	0.009.5073.2	1	expansion plug 12
47	0.009.5026.0	4	gasket mm 0.1
47	0.009.5026.1	3	gasket mm 0.20
47	0.009.5026.2	3	gasket mm 0.3
48	0.009.5023.0	3	head gasket
49	0.009.5037.1	12	stud bolt
50	0.007.1771.0	3	engine cylinder
51	2.1651.707.0	2	pin
			-> (...)

Section: ENGINE
CRANKSHAFT

Fig.	P/n	QTY	Name
------	-----	-----	------

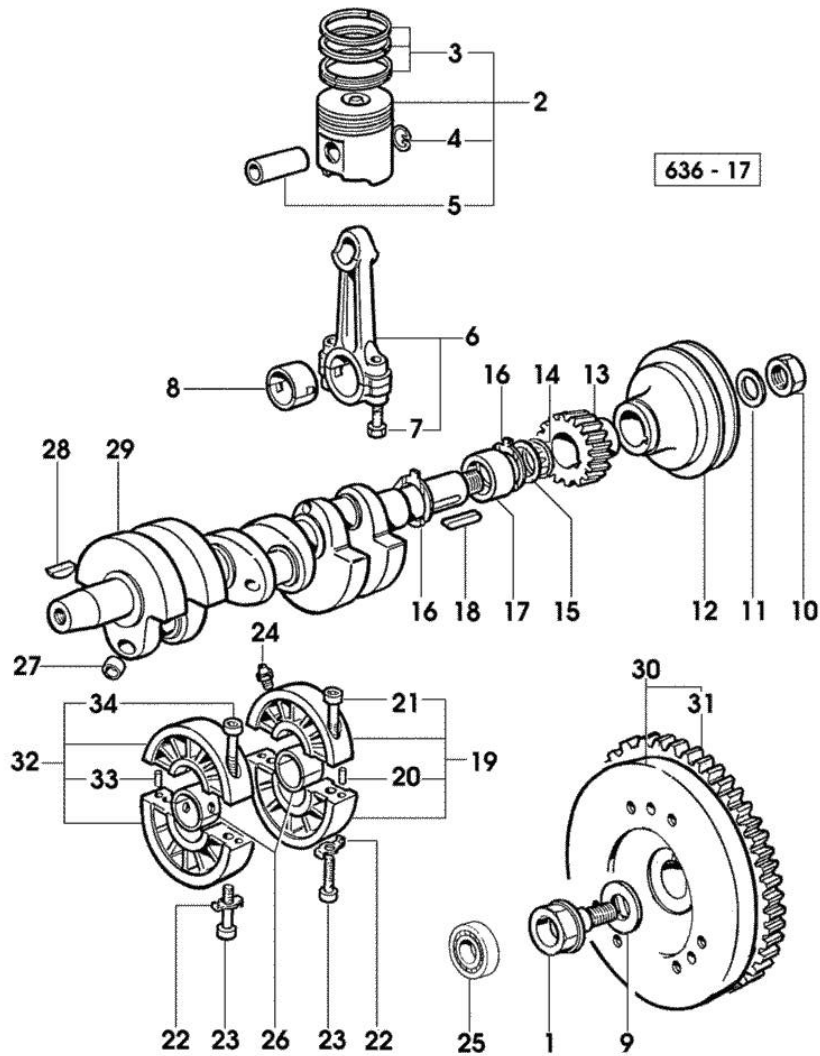
Notes:
 [RUNNER 350A]



1	0.009.5007.0	1	bolt
2	0.308.0060.6	3	complete piston STANDARD
3	0.308.0052.6	3	piston ring set
4	0.009.5002.1	6	circlip
5	0.009.5049.0	3	piston pin 22x64
6	0.009.5006.4	3	engine connecting rod
7	0.009.5006.0	6	screw
8	0.009.5006.1	3	con.rod half bushing STANDARD
8	0.009.5006.2	3	con.rod half bushing - mm 0.25
8	0.009.5006.3	3	con.rod half bushing - mm 0.50
9	0.009.5035.0	1	lock-tab
10	0.009.5001.2	1	special nut 27x1.5 h12
11	0.009.5069.2	1	flat washer 28x50 mm 4
12	0.009.6109.0	1	pulley
13	0.009.6219.0	1	gear
14	0.009.5066.2	1	special oil seal 37.47x3.00
15	0.009.5046.2	2	shim mm 0.1
16	0.009.5003.2	2	shoulder ring
17	0.009.5014.0	2	main half bushing STANDARD
17	0.009.5014.1	2	main half bushing - mm 0.25
17	0.009.5014.2	2	main half bushing - mm 0.50
18	0.009.5065.1	1	key 6x6x45
19	0.009.5050.1	1	support l.d.
20	2.1652.505.0	2	pin 6x12
21	2.0312.215.1	2	screw m 8 p.1.25 x 45
22	0.009.5072.2	4	washer 8.4
23	2.0112.219.2	4	screw m 8 p.1.25x55
24	0.009.5055.2	4	sprayers
25	2.2041.006.0	1	ball bearing 15x35x11
26	0.009.5013.0	2	main half bushing STANDARD
26	0.009.5013.1	2	main half bushing - mm 0.25
26	0.009.5013.2	2	main half bushing - mm 0.50
27	0.009.5073.0	6	expansion plug 10
28	0.009.5065.2	1	key 6x6x25
29	0.009.5061.0	1	crankshaft
30	0.008.7973.3/20	1	flywheel -> 1237
30	0.008.7998.3	1	flywheel 1236 <-
31	0.008.7993.0	1	crown wheel
32	0.009.5050.2	1	support l.v.

Section: ENGINE
CRANKSHAFT

Fig.	P/n	QTY	Name
33	2.1652.505.0	2	pin 6x12
34	2.0312.215.2	2	screw



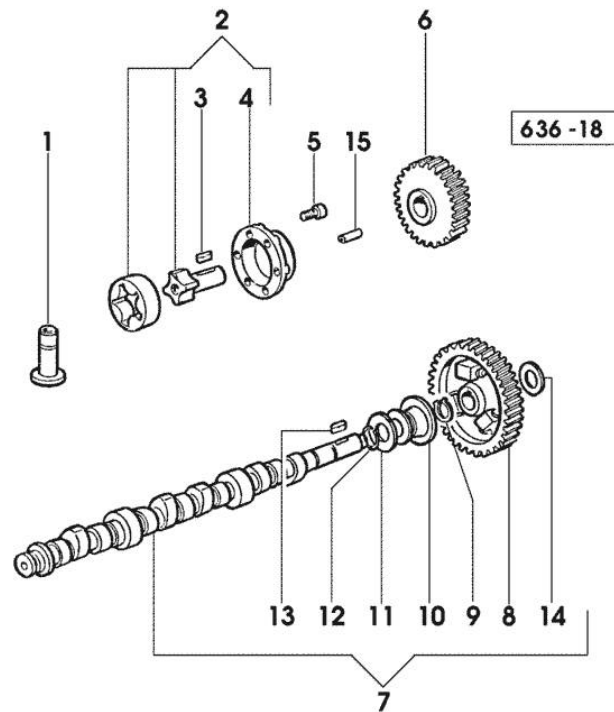
Section: ENGINE

CAMSHAFT

Fig.	P/n	QTY	Name
------	-----	-----	------

Notes:

[RUNNER 350A]



1	0.009.5039.0	6	tappets
2	0.009.5060.0	1	oil pump
3	0.009.5065.0	1	key 6x6x15
4	0.009.5011.2	1	pump casing
5	2.0312.110.1	6	old part number m 6 p.1x30
6	0.009.6221.0	1	gear
7	0.009.5059.0	1	camshaft
8	0.009.6220.0	1	gear
9	0.009.5000.1	1	circlip 18
10	0.009.5036.2	1	cap-washer
11	0.009.5046.1	1	shim
12	0.009.5002.2	1	circlip
13	0.009.5066.0	1	key 4x4x12
14	0.009.5046.0	1	shim mm 0.20
15	0.009.5072.1	1	roll pin 8.5x12

Section: ENGINE
CYLINDER HEAD

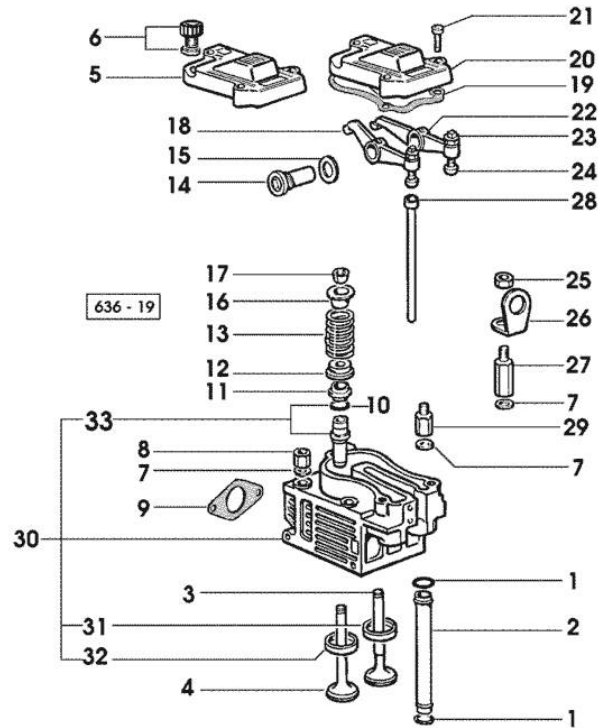


Fig.	P/n	QTY	Name
------	-----	-----	------

Notes:
[RUNNER 350A]

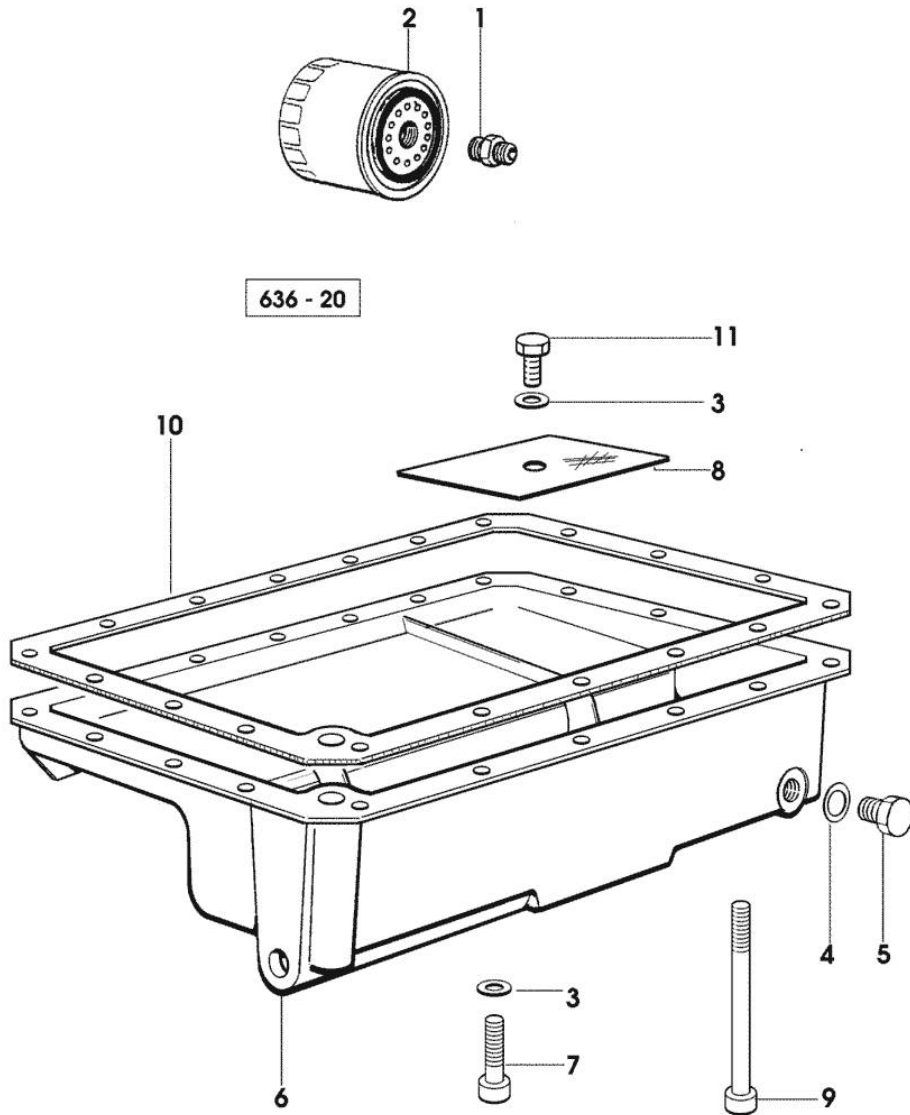
1	2.1531.040.0	12	oil seal 15.88x2.62
2	0.009.5054.1	6	sleeve
3	0.009.5056.0	3	inlet valve Ø mm 7
4	0.009.5056.1	3	exhaust valve Ø mm 7
5	0.009.5011.0	1	cover
6	0.009.5051.2	1	plug
7	0.009.5071.0	14	flat washer 9.5x17x4
8	0.009.5016.0	5	nut
9	0.009.5020.1	2	gasket
10	0.009.5002.0	6	ring
11	0.009.5025.0	6	gasket
12	0.009.5036.0	6	cap-washer
13	0.009.5030.0	6	spring
14	0.009.5034.1	6	pin
15	2.1560.014.0	6	washer 18.2 x 24
16	0.009.5036.1	6	cap-washer
17	0.009.5048.0	12	conical valve cotter
18	0.009.5005.2	3	rocker arm
19	0.009.5025.1	4	gasket
20	0.009.5011.1	2	cover
21	2.0312.107.1	9	screw m 6 p.1x22
22	0.009.5005.1	3	rocker arm
23	0.009.5017.0	6	nut
24	0.009.5044.1	6	register
25	2.1011.005.2	2	nut m 8 p.1.25
26	0.009.5019.2	2	hook
27	0.009.5016.2	3	special nut
28	0.009.5004.2	6	rod
29	0.009.5016.1	3	special nut
30	0.009.5084.4	3	engine head
31	0.009.5003.0	3	valve seat STANDARD
31	0.009.5003.1	3	valve seat + mm 0.5
32	0.009.5004.0	3	valve seat STANDARD
32	0.009.5004.1	3	valve seat + mm 0.5
33	0.009.5027.0	6	valve guide STANDARD
33	0.009.5027.1	6	valve guide + mm 0.5

Section: ENGINE
LUBRICATION

Fig.	P/n	QTY	Name
------	-----	-----	------

Notes:
[RUNNER 350A]

1	0.009.5041.0	1	pipe fitting
2	0.009.5008.0	1	oil filter element
3	2.1310.002.2	18	flat washer 6.4x12.5
4	2.1560.010.0	1	gasket 14.2 x 20
5	0.009.5075.1	1	plug m 14 p.1.5x15
6	0.008.7962.0	1	oil sump
7	2.0312.110.1	18	old part number m 6 p.1x30
8	0.009.6233.0	1	net mesh
9	2.0312.127.1	1	screw m 6 p.1x110
10	0.009.5023.2	1	gasket
11	2.0112.002.2	1	screw m 6 p.1 x 10



Buy Now



Our support email:

ebooklibonline@outlook.com