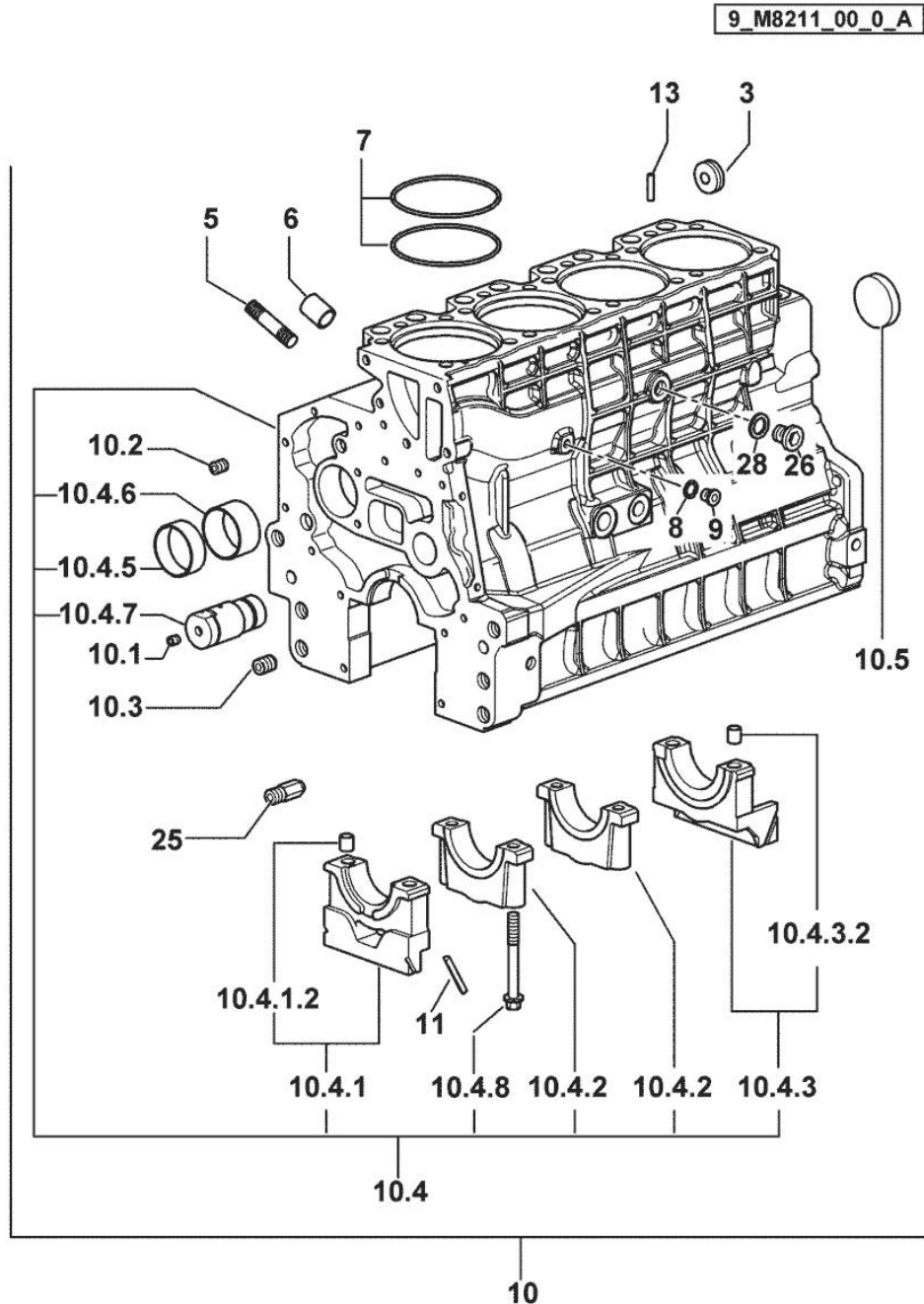


Section: ENGINE
CRANKCASE



| Fig. | P/n | QTY | Name |
|------|-----|-----|------|
|------|-----|-----|------|

Notes:
 [RV.90]

| | | | |
|----------|-----------------|----|------------------------------|
| 3 | 2.3199.312.2/10 | 1 | plug |
| 5 | 2.0439.273.7 | 8 | stud bolt m 8 |
| 6 | 2.1559.188.2 | 4 | bush 11.4 x 14 x16 |
| 7 | 2.1539.193.0 | 8 | special oil seal 107.62x2.62 |
| 8 | 2.1560.010.0 | 1 | gasket 14.2 x 20 |
| 9 | 2.3199.292.0 | 1 | plug 1/4" gas |
| 10 | 0.013.0489.4/30 | 1 | crankcase |
| 10.1 | 2.3130.001.1 | 10 | plug 1/8" gas |
| 10.2 | 2.3130.002.1 | 2 | plug 1/4" gas |
| 10.3 | 2.3130.003.1 | 6 | plug 3/8" gas |
| 10.4 | 0.000.0000.1 | | cannot be supplied |
| 10.4.1 | 0.065.1112.7 | 1 | support |
| 10.4.1.2 | 2.1699.165.0 | 1 | bush 12.3x15x16 |
| 10.4.2 | 0.065.1114.0/10 | 3 | support |
| 10.4.3 | 0.065.1116.3 | 1 | support |
| 10.4.3.2 | 2.1699.165.0 | 1 | bush 12.3x15x16 |
| 10.4.5 | 0.065.1140.0 | 4 | special bushing 59X55X20 |
| 10.4.6 | 0.065.1141.0 | 1 | special bushing 59X55X30 |
| 10.4.7 | 0.066.1151.0 | 1 | pin |
| 10.4.8 | 0.065.1117.0 | 10 | screw m 12 x 100 |
| 10.5 | 2.3179.012.0 | 1 | plug 60 |
| 11 | 0.066.1152.0/10 | 4 | gasket |
| 13 | 2.1549.154.2 | 4 | bush 4.8x5.8x16 |
| 25 | 0.013.4946.0/10 | 1 | sprayer nozzle |
| 26 | 2.3120.101.0 | 1 | plug m 18 p.1.5 |
| 28 | 2.1560.014.0 | 1 | washer 18.2 x 24 |

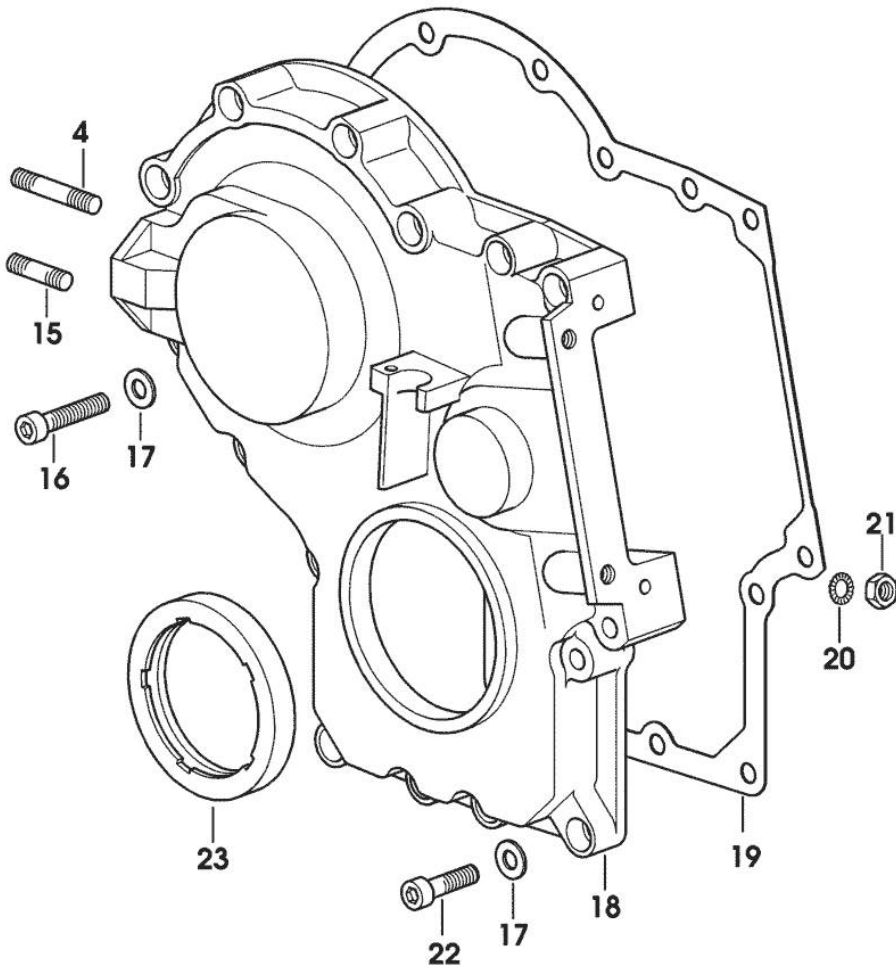
Section: ENGINE

TIMING CASE

| Fig. | P/n | QTY | Name |
|------|-----|-----|------|
|------|-----|-----|------|

Notes:
[RV.90]

| | | | |
|----|-----------------|----|----------------------------------|
| 4 | 2.0432.009.7 | 1 | stud bolt m 8 p.1.25 / p. 1 x 35 |
| 15 | 2.0432.003.7 | 1 | stud bolt m 8 p.1.25 / p.1 x 20 |
| 16 | 2.0312.214.2 | 7 | screw m 8 p.1.25 x 40 |
| 17 | 2.1480.014.1 | 15 | washer 8 |
| 18 | 0.013.4981.0 | 1 | guard |
| 19 | 0.065.1150.0/30 | 1 | gasket |
| 20 | 2.1470.004.2 | 4 | lock washer 8 |
| 21 | 2.1011.405.2 | 2 | nut m 8 p.1 |
| 22 | 2.0312.208.2 | 8 | screw m 8 p.1.25 x 25 |
| 23 | 2.1529.167.0 | 1 | oil seal |



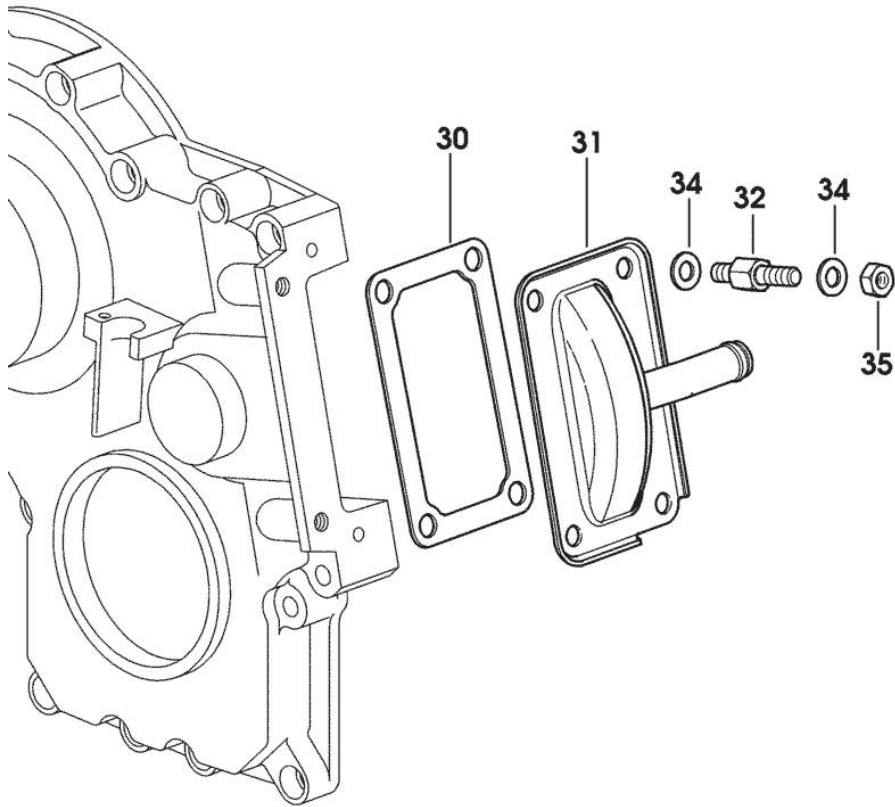
9_M8211_00_0_B

Section: ENGINE
CASING COVER

| Fig. | P/n | QTY | Name |
|------|-----|-----|------|
|------|-----|-----|------|

Notes:
[RV.90]

| | | | |
|----|-----------------|---|-------------------------------|
| 30 | 0.065.1152.0 | 1 | gasket |
| 31 | 0.013.6374.2 | 1 | cover |
| 32 | 0.013.6368.0/10 | 4 | stud bolt m 8 p.1 / = mm 46.5 |
| 34 | 2.1310.004.2 | 8 | flat washer 8.4x17 |
| 35 | 2.1011.405.2 | 4 | nut m 8 p.1 |



9_N1411_01_0_0

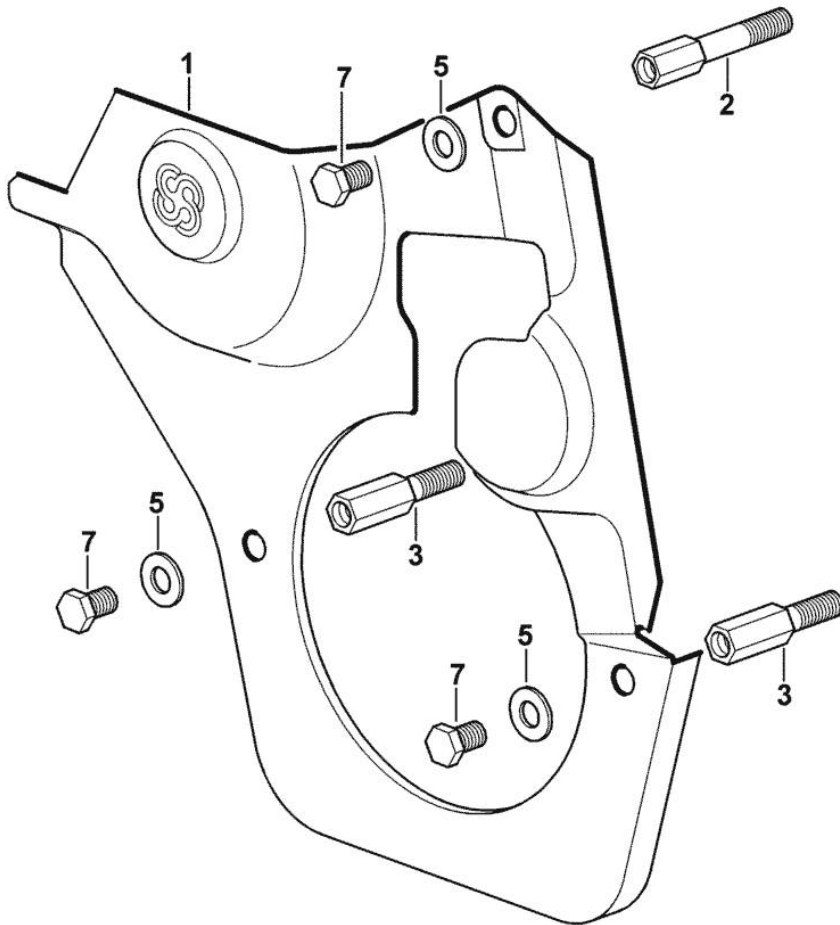
Section: ENGINE

GUARD PLATE

| Fig. | P/n | QTY | Name |
|------|-----|-----|------|
|------|-----|-----|------|

Notes:
[RV.90]

| | | | |
|---|-----------------|---|-------------------------------------|
| 1 | 0.007.1262.3/50 | 1 | guard |
| 2 | 0.007.1271.0/10 | 1 | small column m 8 p.1.25 / L = mm 60 |
| 3 | 0.007.1272.0/10 | 2 | small column m 8 p.1.25 / L = mm 50 |
| 5 | 2.1310.004.2 | 3 | flat washer 8.4x17 |
| 7 | 2.0112.203.2 | 3 | screw m 8 p.1.25 x 12 |

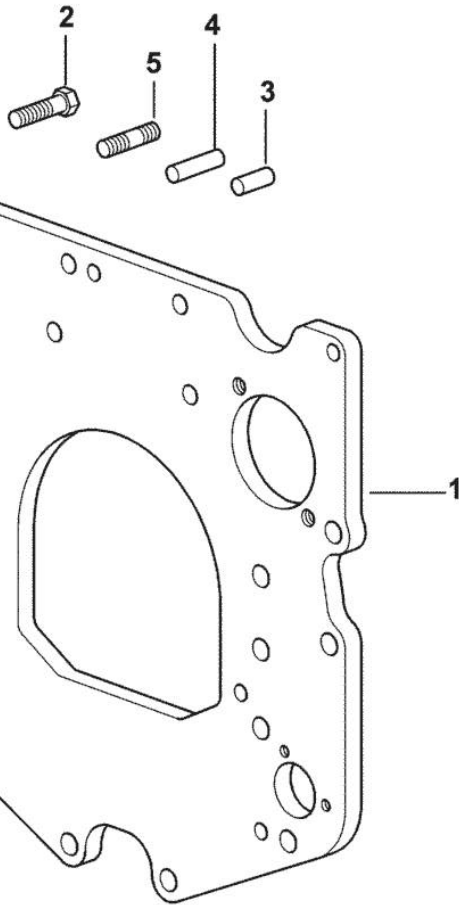


MONOBLOC ENGINE-GEARBOX CONNECTING FLANGE

| Fig. | P/n | QTY | Name |
|------|-----|-----|------|
|------|-----|-----|------|

Notes:
[RV.90]

| | | | |
|---|-----------------|---|-----------------------------------|
| 1 | 0.007.1882.0/50 | 1 | flange |
| 2 | 2.0112.511.2 | 8 | screw m 14 p.2 x 30 |
| 3 | 2.1651.912.0 | 2 | cylindrical plug 12x28 |
| 4 | 2.1651.917.0 | 1 | cylindrical plug 12x40 |
| 5 | 2.0432.257.7 | 1 | stud bolt m 12 p.1.75 - 1.25 x 30 |
| 6 | 2.0439.250.7 | 1 | stud bolt m 12 / m 10 x 30 |
| 7 | 0.011.9294.0/10 | 1 | bush |



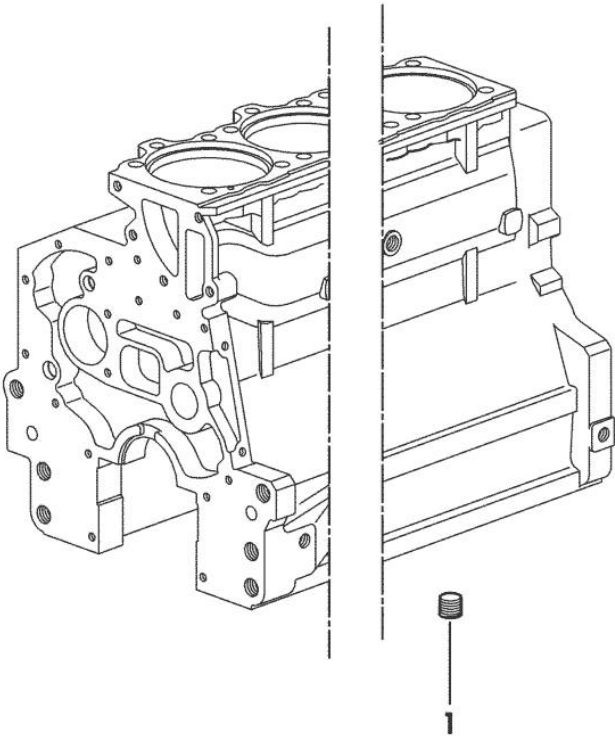
9_38611_01_0_0

PLUG

| Fig. | P/n | QTY | Name |
|------|-----|-----|------|
|------|-----|-----|------|

Notes:
[RV.90]

| | | | |
|---|--------------|---|---------------|
| 1 | 2.3130.003.1 | 1 | plug 3/8" gas |
|---|--------------|---|---------------|

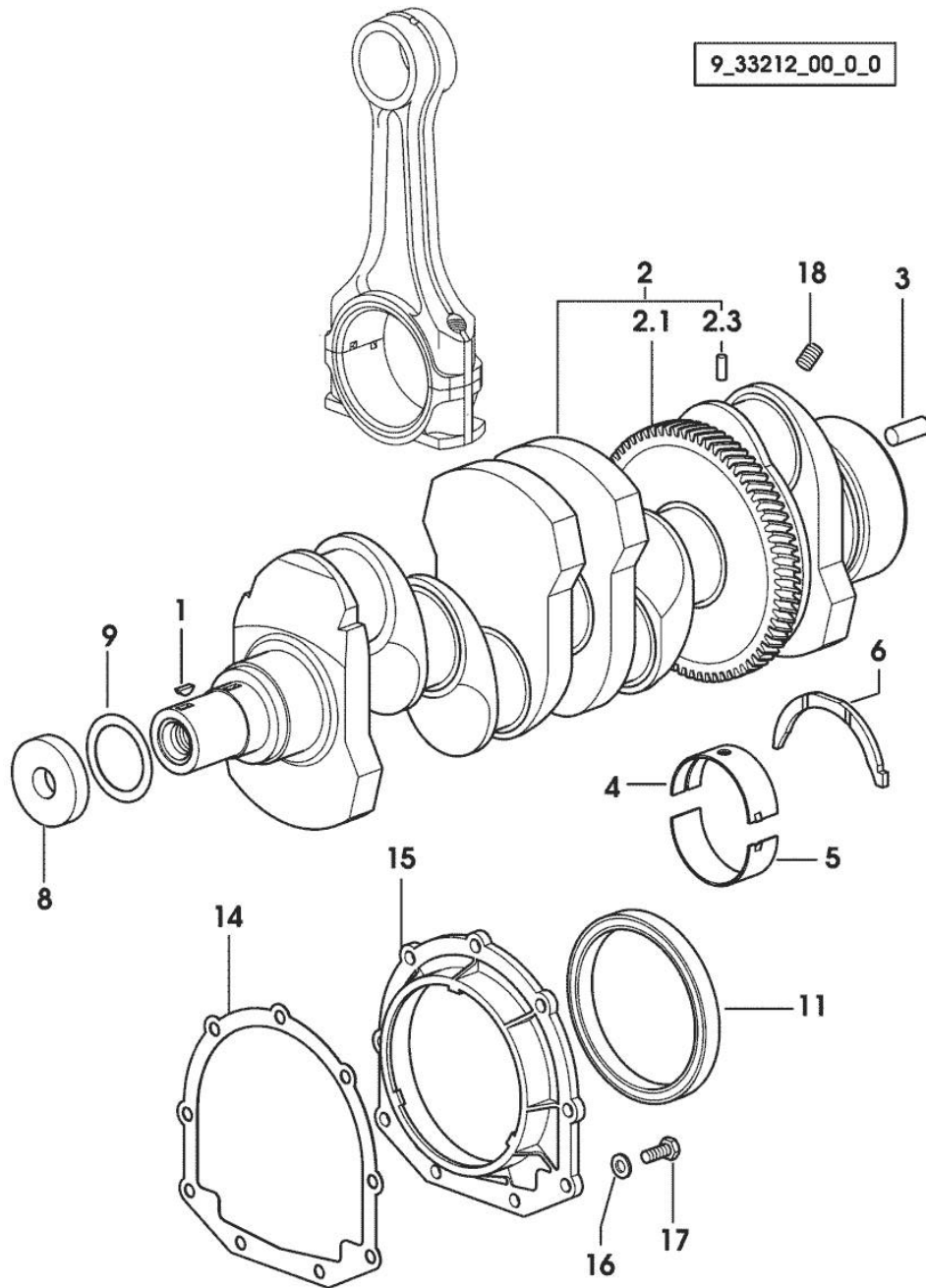


9_34311_06_0_0

Section: ENGINE

CRANKSHAFT

9_33212_00_0_0



| Fig. | P/n | QTY | Name |
|------|-----|-----|------|
|------|-----|-----|------|

Notes:
[RV.90]

| | | | |
|-----|-----------------|---|-----------------------------|
| 1 | 2.1720.006.0 | 1 | key 4x6.5 |
| 2 | 0.086.1210.3/30 | 1 | crankshaft |
| 2.1 | 0.065.1211.0/10 | 1 | crown wheel |
| 2.3 | 2.1630.608.0 | 1 | pin 6x16 |
| 3 | 2.1651.915.0 | 1 | pin 12x35 |
| 4 | 0.065.1215.0 | 5 | main half bushing STANDARD |
| 4 | 0.065.1215.7 | | main half bushing - mm 0.25 |
| 4 | 0.065.1215.8 | | main half bushing - mm 0.50 |
| 5 | 0.065.1216.0 | 5 | main half bushing |
| 5 | 0.065.1216.7 | | main half bushing - mm 0.25 |
| 5 | 0.065.1216.8 | | main half bushing - mm 0.50 |
| 6 | 0.065.1218.0 | 4 | shim STANDARD |
| 6 | 0.065.1218.7 | | shim + mm 0.10 |
| 6 | 0.065.1218.8 | | shim + mm 0.15 |
| 8 | 2.1599.524.7 | 1 | washer 21x60x12 |
| 9 | 2.1589.189.0 | 2 | shoulder ring mm 1.00 |
| 11 | 2.1529.073.0 | 1 | special oil seal 110x130x13 |
| 14 | 0.065.1254.0/20 | 1 | gasket |
| 15 | 0.007.1711.0/10 | 1 | cover |
| 16 | 2.1475.002.2 | 9 | conical washer 8 |
| 17 | 2.0112.207.2 | 9 | screw m 8 p 1.25 x 20 |
| 18 | 2.3130.001.1 | 4 | plug 1/8" gas |

Buy Now



Our support email:

ebooklibonline@outlook.com