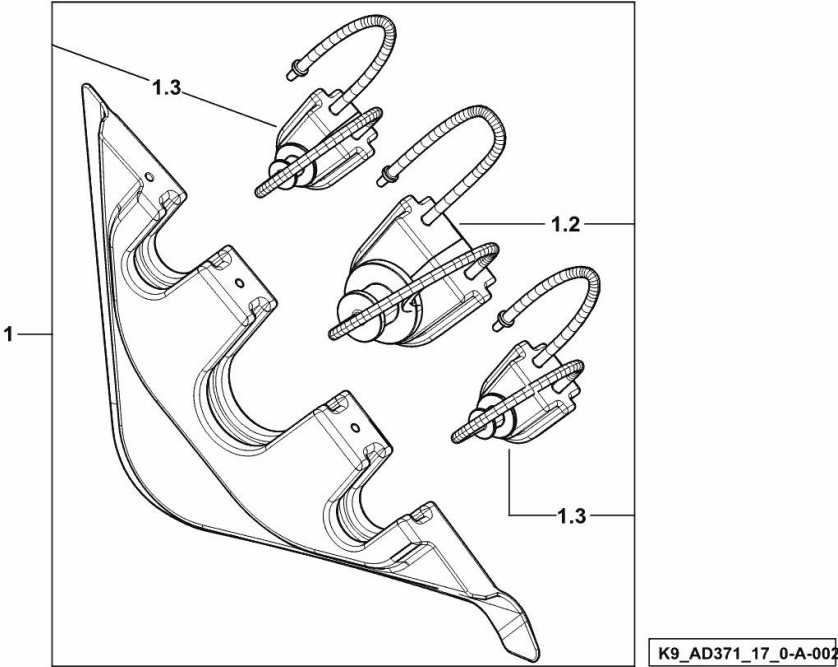


CABLE GROMMET

Fig.	P/n	QTY	Name
------	-----	-----	------

Notes:
 [SPARK 150 T4i ->WSXAS10200LL50010]

1	0.021.2343.4/10	1	support
1.2	0.021.2313.0/10	1	rubber plug
1.3	0.021.2340.0/10	2	rubber plug

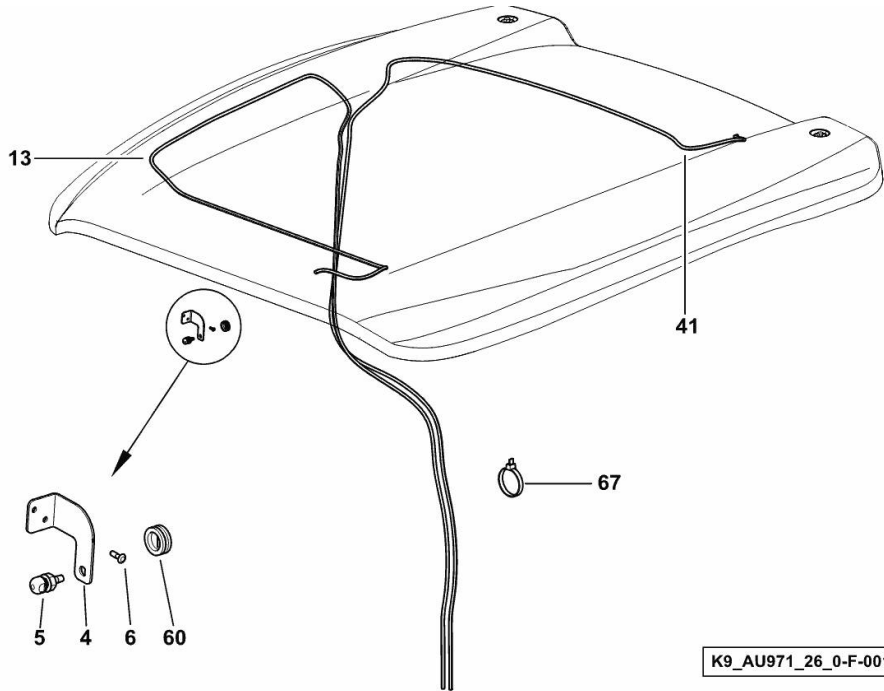


SCREEN WASH SYSTEM

Fig.	P/n	QTY	Name
------	-----	-----	------

Notes:
 - "HIGH VISIBILITY" CAB WITHOUT F.O.P.S. [SPARK 150 T4i ->WSXAS10200LL50010]

4	0.016.9685.0/10	1	bracket
5	0.9231.556.4	1	sprayer nozzle
6	2.1856.304.0	2	rivet 4
13	01396853	3.25	flexible hose
41	01396853	2.75	flexible hose
60	2.6569.056.0	2	grommet
67	2.6852.203.0	31	clamp 292 x 4.8



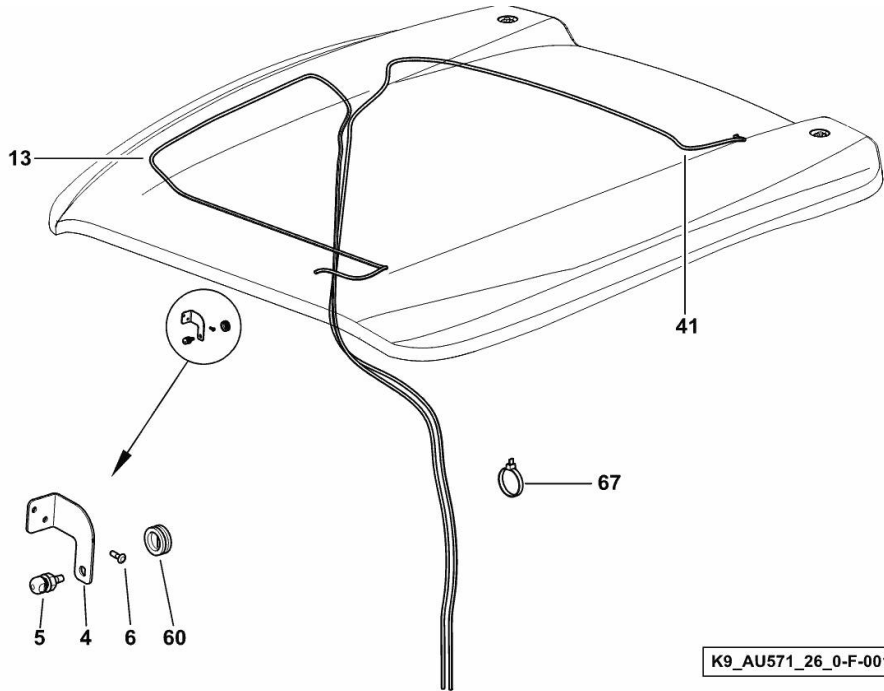
K9_AU971_26_0-F-001

SCREEN WASH SYSTEM F.O.P.S.

Fig.	P/n	QTY	Name
------	-----	-----	------

Notes:
 - "HIGH VISIBILITY" CAB WITH F.O.P.S. [SPARK 150 T4i ->WSXAS10200LL50010]

4	0.016.9685.0/10	1	bracket
5	0.9231.556.4	1	sprayer nozzle
6	2.1856.304.0	2	rivet 4
13	01396853	3.25	flexible hose
41	01396853	2.75	flexible hose
60	2.6569.056.0	2	grommet
67	2.6852.203.0	31	clamp 292 x 4.8



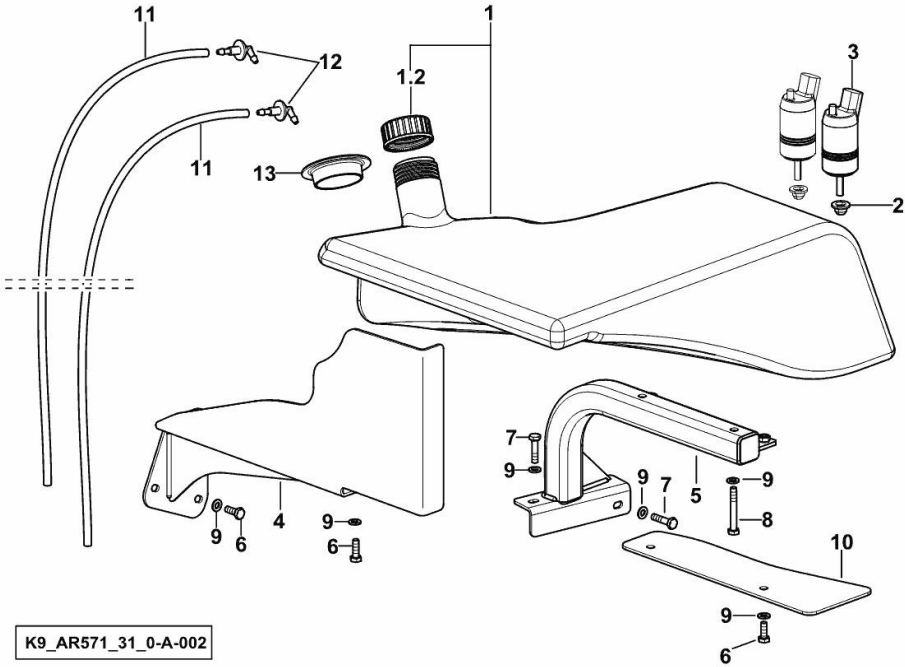
K9_AU571_26_0-F-001

SCREEN WASH RESERVOIR

Fig.	P/n	QTY	Name
------	-----	-----	------

Notes:
 [SPARK 150 T4i ->WSXAS10200LL50010] 50016 <-

1	0.020.6963.4/10	1	small tank
1.2	04414770	1	plug
2	04414582	2	cap
3	04414105	2	motor pump
4	0.020.6820.2/20	1	support
5	0.020.8209.3/10	1	support
6	2.0114.005.2	6	screw m 6 p.1.0 x 16
7	2.0114.009.2	2	screw m 6 x 25, d933
8	2.0114.016.2	2	screw m 16 p.1x45
9	2.1310.002.2	10	flat washer 6.4x12.5
10	0.020.8226.0/10	1	guard
11	01396853	2	flexible hose
12	04413182	2	vent L
13	0.020.8833.0	1	gasket



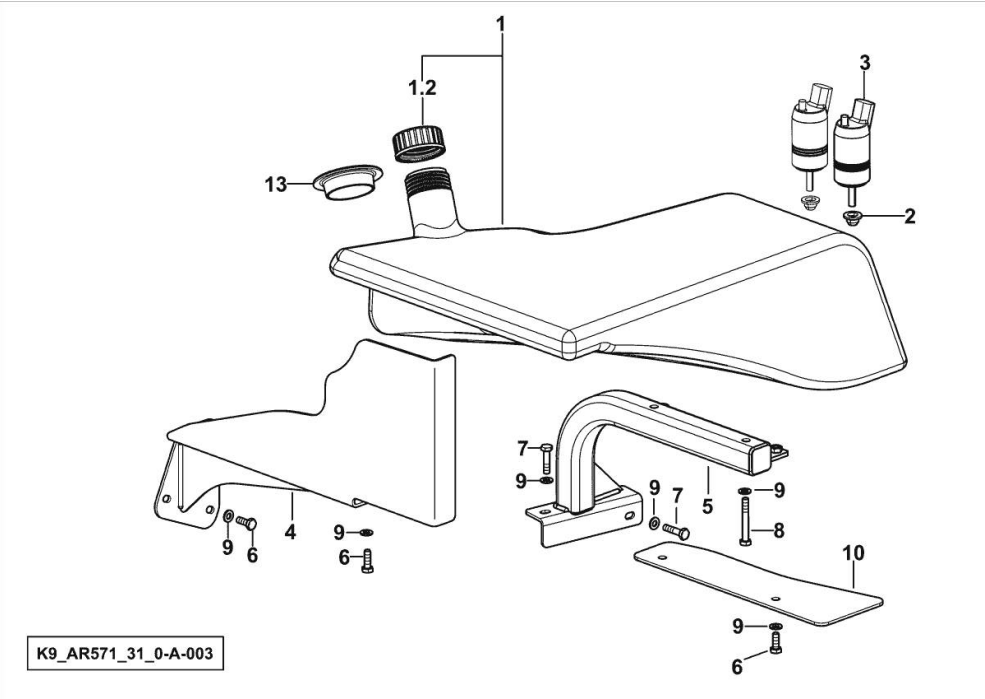
K9_AR571_31_0-A-002

SCREEN WASH RESERVOIR

Fig.	P/n	QTY	Name
------	-----	-----	------

Notes:
 [SPARK 150 T4i ->WSXAS10200LL50010]

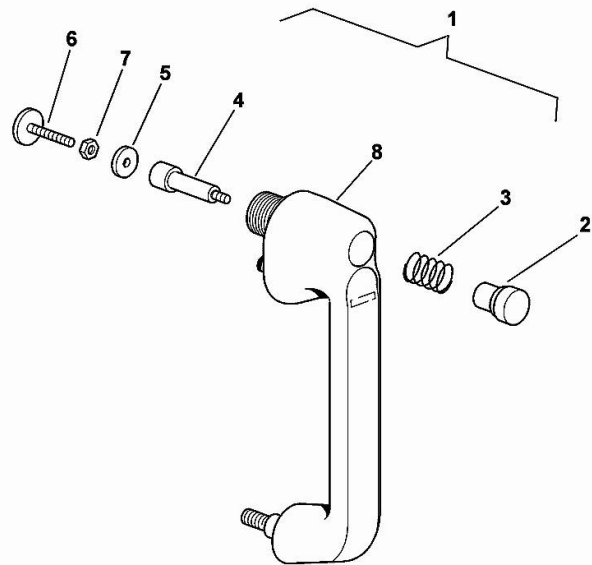
1	0.020.6963.4/10	1	small tank
1.2	04414770	1	plug
2	04414582	2	cap
3	04414105	2	motor pump
4	0.020.6820.2/20	1	support
5	0.020.8209.3/10	1	support
6	2.0114.005.2	6	screw m 6 p.1.0 x 16
7	2.0114.009.2	2	screw m 6 x 25, d933
8	2.0114.016.2	2	screw m 16 p.1x45
9	2.1310.002.2	10	flat washer 6.4x12.5
10	0.020.8226.0/10	1	guard
13	0.020.8833.0	1	gasket



K9_AR571_31_0-A-003

DOOR HANDLE - CAB DOOR RIGHT/LEFT

Fig.	P/n	QTY	Name
1	0.013.0217.4	1	handle
2	04413578	1	push-button
3	04414619	1	spring
4	04414618	1	stop
5	04413596	1	washer
6	04413597	1	latch m 8
7	01112831	1	nut m 8
8	0.000.0000.1	1	cannot be supplied



0_013_0217_4

DASHBOARD

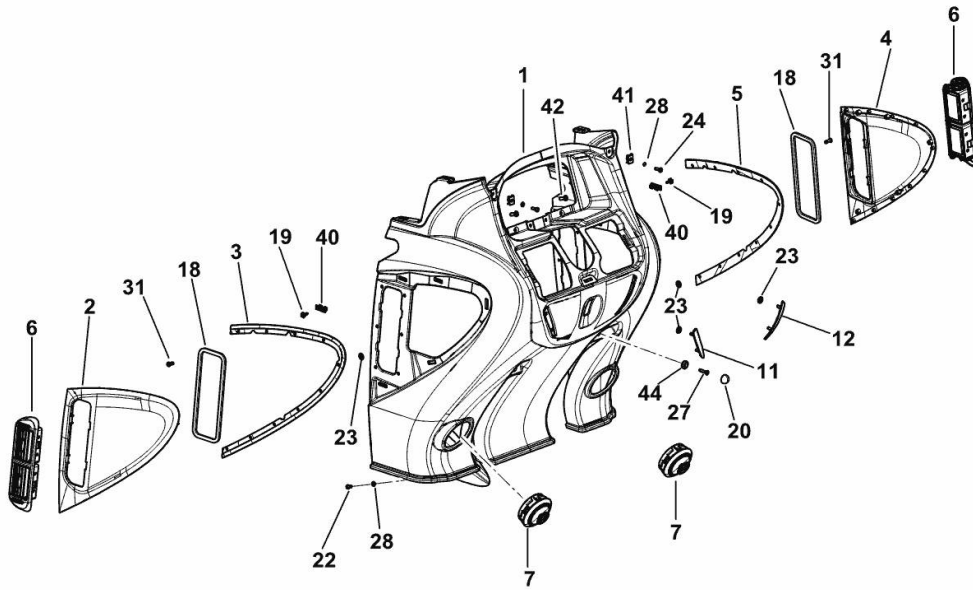
Fig.	P/n	QTY	Name
------	-----	-----	------

Notes:

[SPARK 150 T4i ->WSXAS10200LL50010]

1	0.020.6447.0D/40	1	dashboard
2	0.019.0490.2/10	1	panel sx/lh/li
3	0.019.0491.0/10	1	fascia sx/lh/li
4	0.019.0486.2/10	1	panel dx/rh/re
5	0.019.0492.0/10	1	fascia dx/rh/re
6	0.019.0497.4/20	2	vent (50016 <-)
7	0.019.2412.4/10	2	vent
11	0.020.6453.0/10	1	insert
12	0.020.6452.0/10	1	insert
18	0.019.4793.0	2	gasket
19	0.024.0292.0	22	pin
20	0.020.0575.0	2	cap
22	2.0312.706.2	6	screw m 4 x 20
23	2.6999.066.0	24	clip
24	2.0330.306.2	2	screw m 5 x 16
27	2.0342.107.3	2	screw m 5 p.0.8 x 25
28	2.1310.001.2	4	flat washer 5.3 x 10
31	2.1856.307.0	12	rivet 4.8x12
40	0.019.2659.0	17	clip
41	2.6999.077.0	4	special nut m 5
42	2.0342.205.3	2	screw m 6 p.1 x 20
44	0.020.0576.0	2	washer

K9_AU774_00_0-A-001



Buy Now



Our support email:

ebooklibonline@outlook.com