

SPARK 150 T4i HiProfile-CShift -> WSXAS90200LL50010

Section: G0 - BODYWORK - CAB

Ref: G0.06.3 (1)

**DASHBOARD**

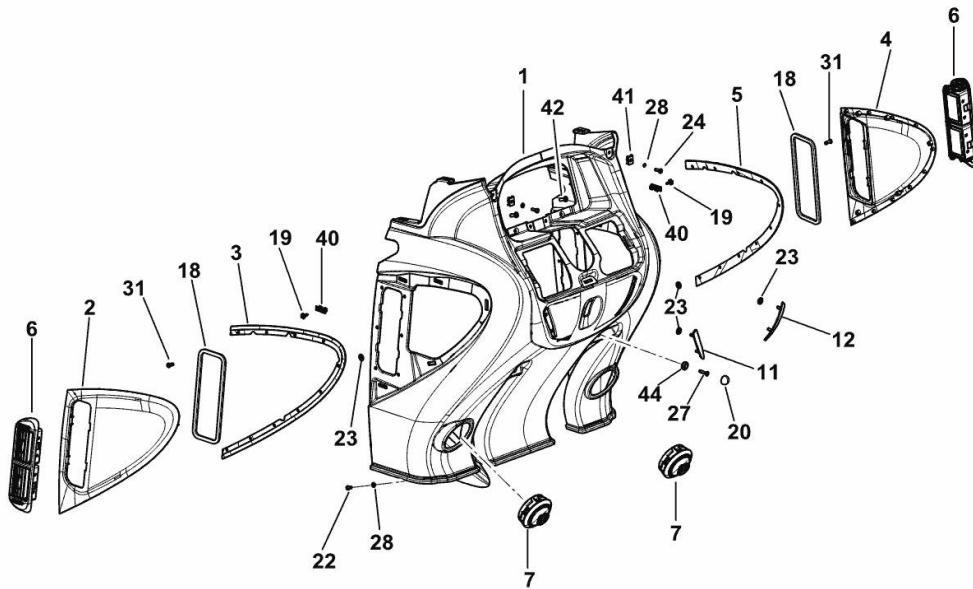
Fig.	P/n	QTY	Name
------	-----	-----	------

**Notes:**

[SPARK 150 T4i HiProfile-CShift -> WSXAS90200LL50010]

1	0.020.6447.0D/40	1	dashboard
2	0.019.0490.2/10	1	panel sx/lh/li
3	0.019.0491.0/10	1	fascia sx/lh/li
4	0.019.0486.2/10	1	panel dx/rh/re
5	0.019.0492.0/10	1	fascia dx/rh/re
6	0.019.0497.4/20	2	vent ( 50031 <- )
7	0.019.2412.4/10	2	vent
11	0.020.6453.0/10	1	insert
12	0.020.6452.0/10	1	insert
18	0.019.4793.0	2	gasket
19	0.024.0292.0	22	pin
20	0.020.0575.0	2	cap
22	2.0312.706.2	6	screw m 4 x 20
23	2.6999.066.0	24	clip
24	2.0330.306.2	2	screw m 5 x 16
27	2.0342.107.3	2	screw m 5 p.0.8 x 25
28	2.1310.001.2	4	flat washer 5.3 x 10
31	2.1856.307.0	12	rivet 4.8x12
40	0.019.2659.0	17	clip
41	2.6999.077.0	4	special nut m 5
42	2.0342.205.3	2	screw m 6 p.1 x 20
44	0.020.0576.0	2	washer

K9\_AU774\_00\_0-A-001



**DASHBOARD**

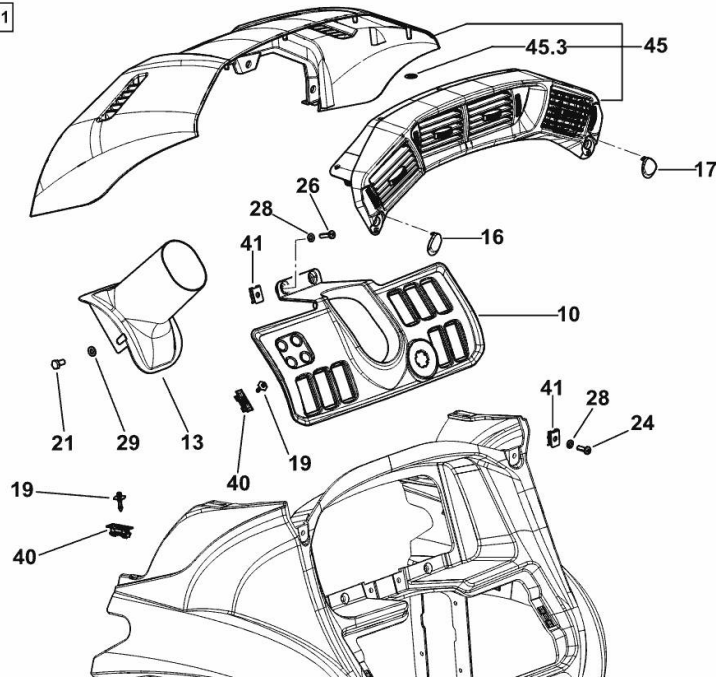
Fig.	P/n	QTY	Name
------	-----	-----	------

**Notes:**

[SPARK 150 T4i HiProfile-CShift -> WSXAS90200LL50010]

10	0.020.6449.2D/10	1	screen
13	0.020.6451.0D	1	lining
16	0.020.9533.0D	1	plug
17	0.020.9535.0D	1	plug
19	0.019.4980.0	22	pin
21	2.0114.003.2	2	screw m 6 p.1 x 12
24	2.0330.306.2	2	screw m 5 x 16
26	2.0332.307.3	2	screw m 5 x 20
28	2.1310.001.2	4	flat washer 5.3 x 10
29	2.1310.002.2	2	flat washer 6.4x12.5
40	0.019.2659.0	17	clip
41	2.6999.077.0	4	special nut m 5
45	0.021.7967.4D	1	cover
45.3	2.6999.066.0	5	clip

K9\_AU774\_00\_0-B-001



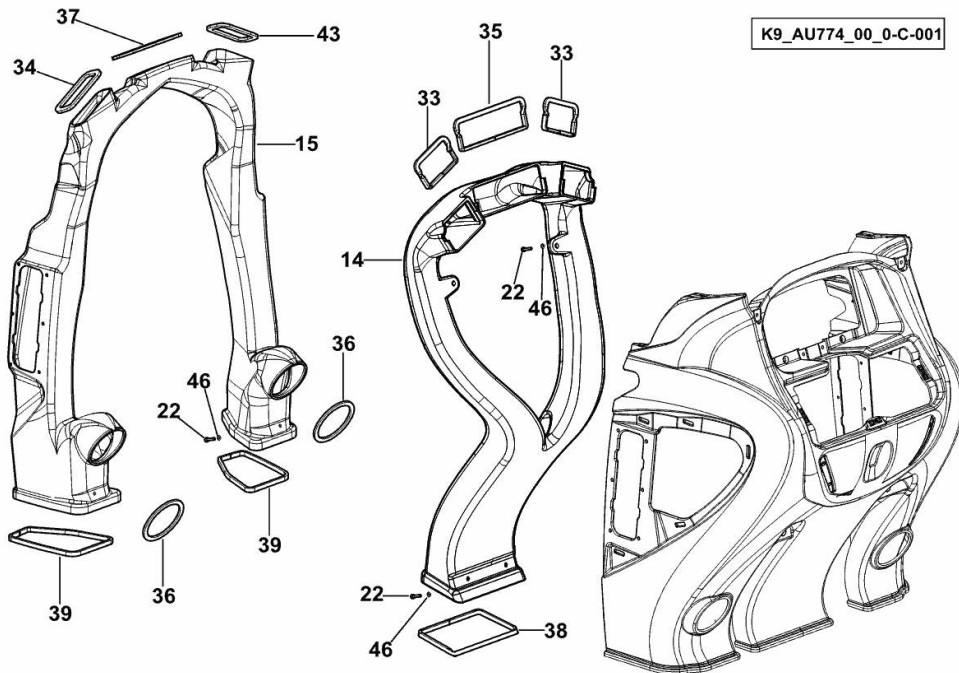
**AIR GUIDANCE**

Fig.	P/n	QTY	Name
------	-----	-----	------

**Notes:**

[SPARK 150 T4i HiProfile-CShift -> WSXAS90200LL50010]

14	0.020.6459.0	1	air duct
15	0.020.6458.0/20	1	air duct
22	2.0312.706.2	6	screw m 4 x 20
33	0.021.1835.0	2	gasket
34	0.021.1827.0/10	1	gasket
35	0.021.1833.0	1	gasket
36	0.019.4930.0/20	2	gasket
37	0.021.1816.0/10	1	gasket
38	0.021.2010.0	1	gasket
39	0.021.2011.0	2	gasket
43	0.021.5554.0/10	1	gasket
46	2.1310.028.2	6	flat washer



**SPARK 150 T4i HiProfile-CShift -> WSXAS90200LL50010**

Section: G0 - BODYWORK - CAB

Ref: G0.06.6 (1)

**SUPPLEMENT FOR INSTRUMENT CLUSTER, FOR VERSIONS WITH  
OPENING WINDSCREEN AND WINDSCREEN WIPER**

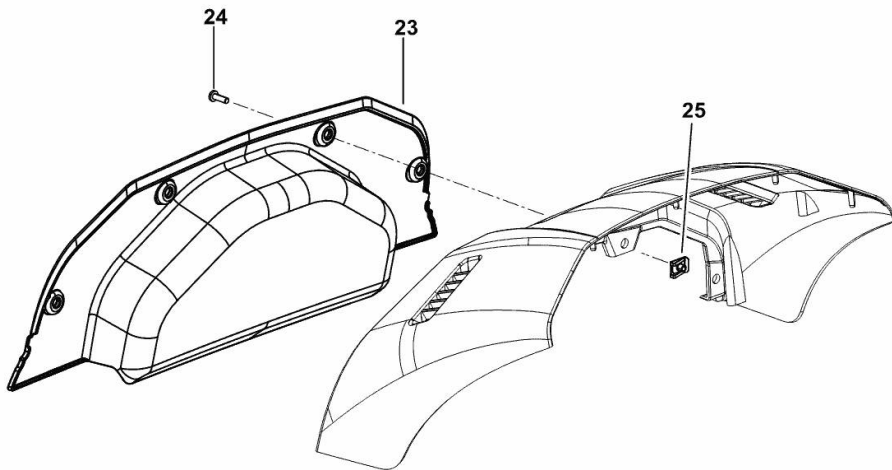
Fig.	P/n	QTY	Name
------	-----	-----	------

**Notes:**

[SPARK 150 T4i HiProfile-CShift -> WSXAS90200LL50010]

23	0.020.6450.0/20	1	lining
24	2.0330.306.2	4	screw m 5 x 16
25	2.6999.077.0	4	special nut m 5

K9\_AU771\_10\_0-C-001



SPARK 150 T4i HiProfile-CShift -> WSXAS90200LL50010

Section: G0 - BODYWORK - CAB

Ref: G0.06.8 (1)

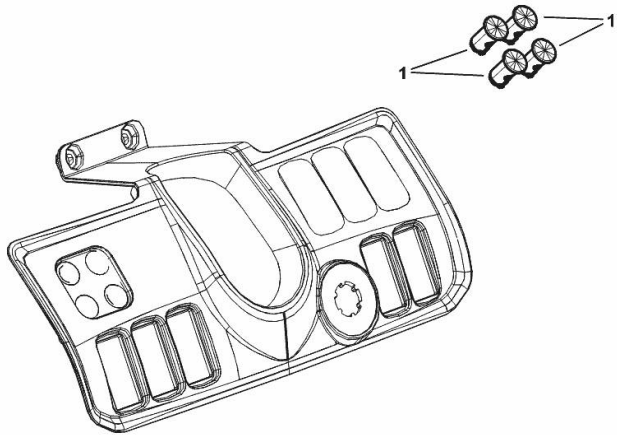
**INSTRUMENT PANEL - BLANKING PLUGS**

Fig.	P/n	QTY	Name
------	-----	-----	------

**Notes:**

[SPARK 150 T4i HiProfile-CShift -> WSXAS90200LL50010]

1	0.021.5865.0	4	plug
---	--------------	---	------



K9\_AU784\_02\_0-A-00

**CAB FLOOR COVERING**

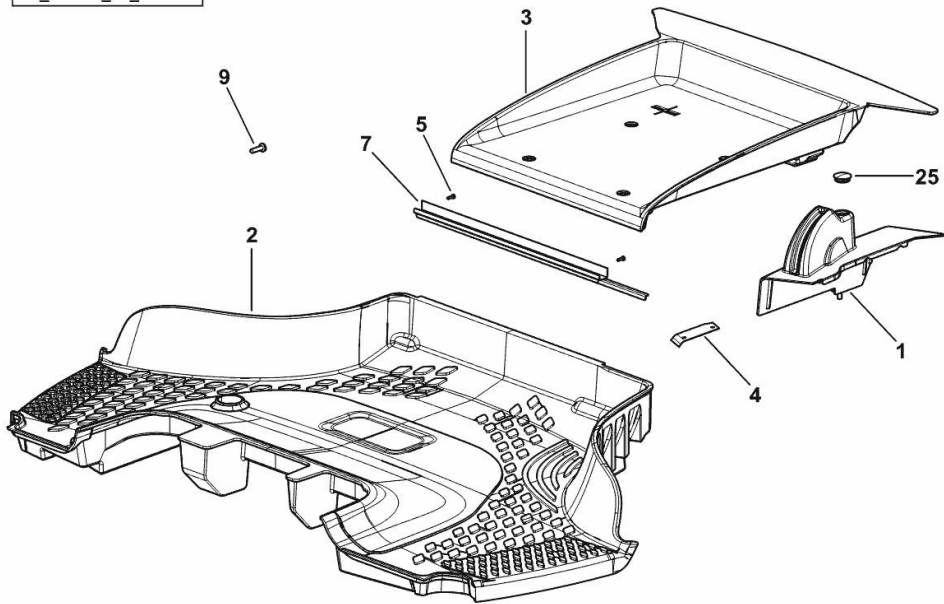
Fig.	P/n	QTY	Name
------	-----	-----	------

**Notes:**

[SPARK 150 T4i HiProfile-CShift -> WSXAS90200LL50010]

1	0.020.1422.0D	1	cover
2	0.021.0979.2	1	mat
3	0.019.4137.2	1	mat
4	0.018.0181.0	1	bracket
5	04426906	1	screw 4.2x16
7	04429938	1	channel
9	2.0114.209.2	2	screw m 8 x 25
25	2.3199.326.0	1	plug

K9\_AU971\_22\_0-A-001



SPARK 150 T4i HiProfile-CShift -> WSXAS90200LL50010

Section: G0 - BODYWORK - CAB

Ref: G0.06.12 (2)

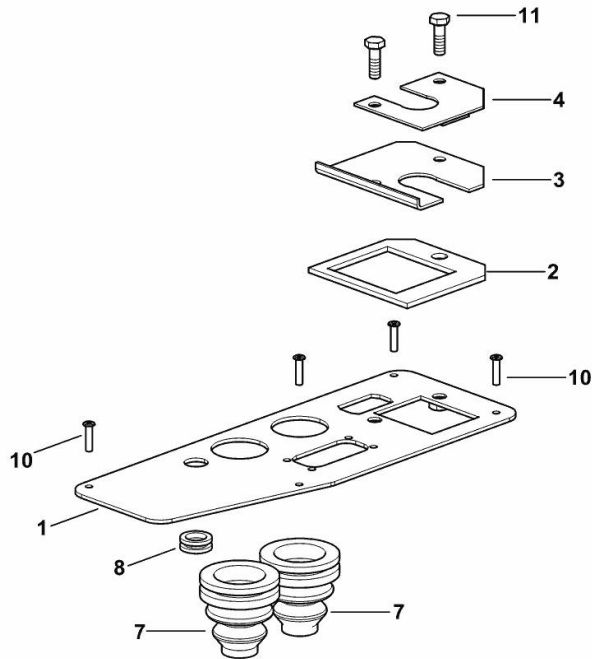
**INTERNAL CAB LININGS**

Fig.	P/n	QTY	Name
------	-----	-----	------

**Notes:**

- FOR TYPES WITH NON-ROBOTIC GEARBOX [SPARK 150 T4i HiProfile-CShift -> WSXAS90200LL50010]

1	0.019.3557.3/10	1	plate
2	0.015.6237.0	1	gasket
3	0.015.3731.0/30	1	plate
4	0.017.5546.2	1	bracket
7	06544636	2	bellows
8	2.6569.056.0	1	grommet
10	01176029	4	rivet a5x21 h2416
11	2.0114.209.2	2	screw m 8 x 25



K9\_AU771\_56\_0-A-002

**Buy Now**



Our support email:

[ebooklibonline@outlook.com](mailto:ebooklibonline@outlook.com)