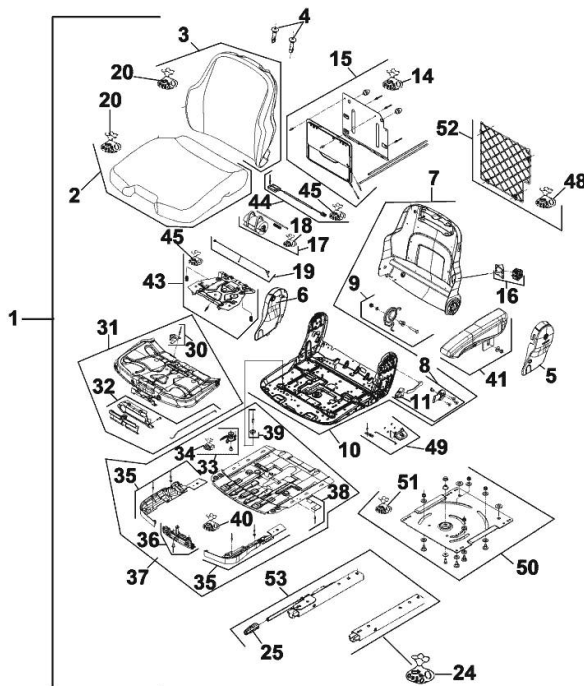


SEATS

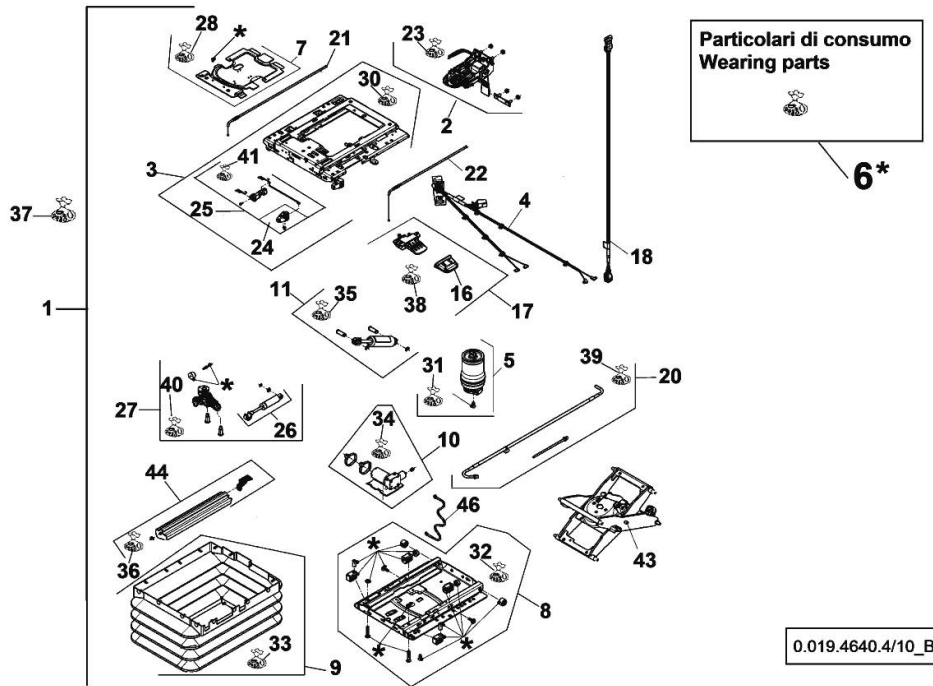
Fig.	P/n	QTY	Name
1	0.019.4640.4/10	1	driver's seat GRAMMER MSG95AL/721
2	0.900.2070.5	1	cushion
3	0.900.2070.6	1	backrest
4	0.900.1883.5	1	bushing
5	0.900.0133.4	1	cover
6	0.900.0130.6	1	cover
7	0.900.2079.7	1	backrest
8	0.900.1562.3	1	spare parts kit
9	0.900.1533.1	1	bearing dx/rh/re
10	0.900.2079.8	1	plate
11	0.900.1562.2	1	handle
14	0.900.1533.7	1	plate
15	0.900.2070.9	1	accessories
16	0.900.1534.0	1	body
17	0.900.1534.3	1	compressor
18	0.900.2071.1	1	spare parts kit
19	0.900.2079.9	1	electrical system
20	0.900.1883.8	1	accessories
24	0.900.1534.1	1	sub-assy parts
25	0.010.2943.2	1	knob
30	0.010.3070.0	1	plate
31	0.900.1623.1	1	plate
32	0.900.1533.3	1	small plate
33	0.010.3071.2	1	lever
34	0.900.2071.0	1	accessories
35	0.010.3069.0	1	hood
36	0.010.3069.1	1	console
37	0.900.2080.0	1	plate
38	0.900.1533.5	1	plate
39	0.900.1533.6	1	small plate
40	0.900.2070.8	1	accessories
41	0.900.0298.6	1	armrest sx/lh/li
43	0.900.1533.2	1	plate
44	0.900.1623.2	1	sensor
45	0.900.1563.0	1	spare parts kit
48	0.900.2080.1	1	spare parts kit
49	0.010.3074.0	1	handle
50	0.900.2075.9	1	support
51	0.900.2070.7	1	assembly kit
52	0.900.1420.2	1	net mesh
53	0.900.0371.4	1	seat guide



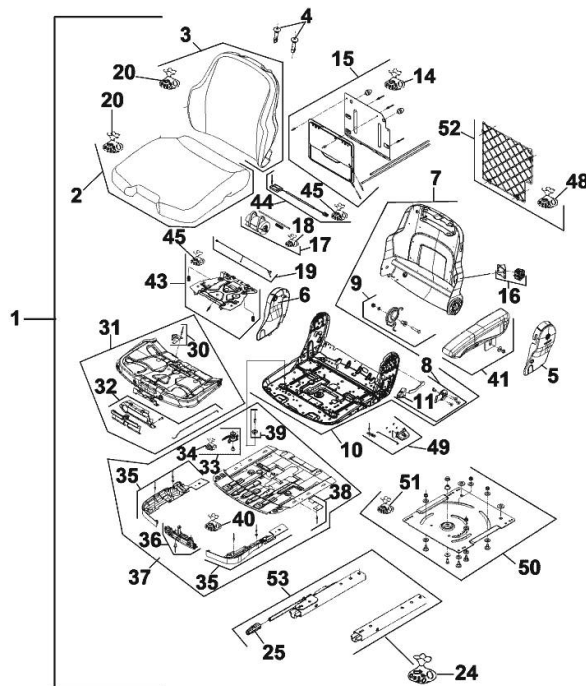
0.019.4640.4/10_A

SEAT-COMPONENTS

Fig.	P/n	QTY	Name
1	0.900.2080.2	1	seat springs
2	0.900.1534.7	1	controls assembly
3	0.900.2076.0	1	support
4	0.900.1534.9	1	electric cable
5	0.900.1535.0	1	shock absorber
6	0.900.1884.0	1	accessories
7	0.900.1534.6	1	cover
8	0.900.1535.2	1	plate
9	0.900.1535.3	1	bellows
10	0.900.1535.4	1	compressor
11	0.900.1563.6	1	shock absorber
16	0.010.3526.1	1	grip
17	0.010.2272.2	1	lever
18	0.900.2080.3	1	
20	0.900.1536.0	1	tube
21	0.900.1536.1	1	rod
22	0.900.1536.2	1	rod
23	0.900.2071.2	1	assembly kit
24	0.010.2077.2	1	knob
25	0.900.1536.3	1	controls assembly
26	0.900.1536.4	1	shock absorber
27	0.900.1536.5	1	body
28	0.900.1564.1	1	spare parts kit
30	0.900.1564.3	1	spare parts kit
31	0.900.1564.4	1	spare parts kit
32	0.900.1564.5	1	spare parts kit
33	0.900.1564.0	1	spare parts kit
34	0.900.1564.2	1	spare parts kit
35	0.900.1563.9	1	spare parts kit
36	0.900.2071.3	1	accessories
37	0.900.2080.5	1	assembly kit
38	0.900.1564.7	1	spare parts kit
39	0.900.1564.6	1	spare parts kit
40	0.900.1884.1	1	accessories
41	0.900.1884.2	1	accessories
43	0.000.0000.1		cannot be supplied
44	0.900.2080.4	1	spare parts kit



SEATS

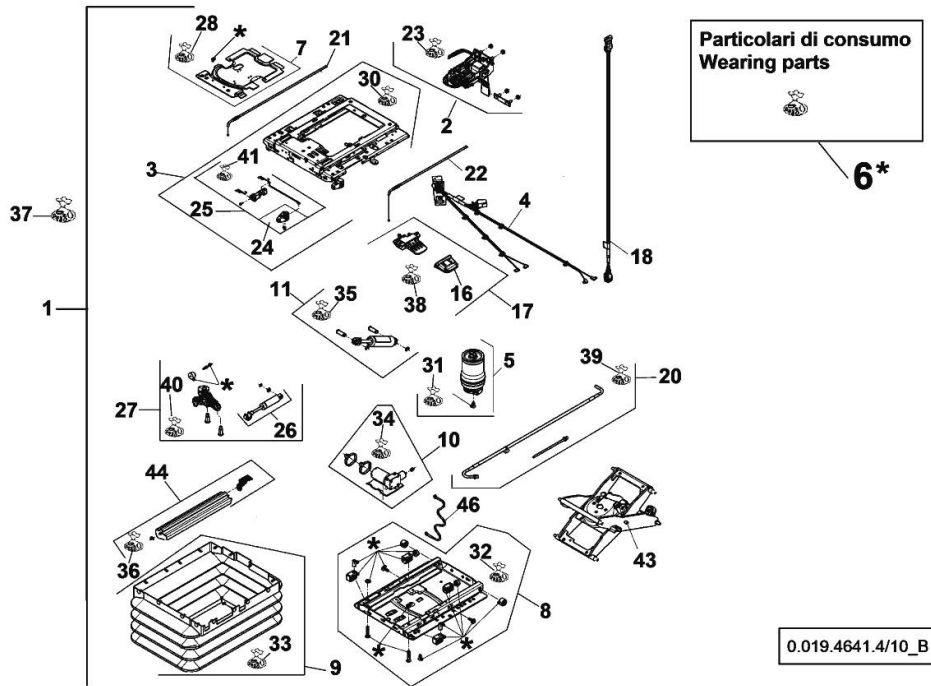


0.019.4641.4/10_A

Fig.	P/n	QTY	Name
1	0.019.4641.4/10	1	driver's seat GRAMMER MSG95AL/731
2	0.900.2081.0	1	cushion
3	0.900.2070.6	1	backrest
4	0.900.1883.5	1	bushing
5	0.900.0133.4	1	cover
6	0.900.0130.6	1	cover
7	0.900.2079.7	1	backrest
8	0.900.1562.3	1	spare parts kit
9	0.900.1533.1	1	bearing dx/rh/re
10	0.900.2079.8	1	plate
11	0.900.1562.2	1	handle
14	0.900.1533.7	1	plate
15	0.900.2070.9	1	accessories
16	0.900.1534.0	1	body
17	0.900.1534.3	1	compressor
18	0.900.2071.1	1	spare parts kit
19	0.900.2079.9	1	electrical system
20	0.900.1883.8	1	accessories
24	0.900.1534.1	1	sub-assy parts
25	0.010.2943.2	1	knob
30	0.010.3070.0	1	plate
31	0.900.1623.1	1	plate
32	0.900.1533.3	1	small plate
33	0.010.3071.2	1	lever
34	0.900.2071.0	1	accessories
35	0.010.3069.0	1	hood
36	0.010.3069.1	1	console
37	0.900.2080.0	1	plate
38	0.900.1533.5	1	plate
39	0.900.1533.6	1	small plate
40	0.900.2070.8	1	accessories
41	0.900.0298.6	1	armrest sx/lh/li
43	0.900.1533.2	1	plate
44	0.900.1623.2	1	sensor
45	0.900.1563.0	1	spare parts kit
48	0.900.2080.1	1	spare parts kit
49	0.010.3074.0	1	handle
50	0.900.2075.9	1	support
51	0.900.2070.7	1	assembly kit
52	0.900.1420.2	1	net mesh
53	0.900.0371.4	1	seat guide

SEAT-COMPONENTS

Fig.	P/n	QTY	Name
1	0.900.2080.2	1	seat springs
2	0.900.1534.7	1	controls assembly
3	0.900.2076.0	1	support
4	0.900.1534.9	1	electric cable
5	0.900.1535.0	1	shock absorber
6	0.900.1884.0	1	accessories
7	0.900.1534.6	1	cover
8	0.900.1535.2	1	plate
9	0.900.1535.3	1	bellows
10	0.900.1535.4	1	compressor
11	0.900.1563.6	1	shock absorber
16	0.010.3526.1	1	grip
17	0.010.2272.2	1	lever
18	0.900.2080.3	1	
20	0.900.1536.0	1	tube
21	0.900.1536.1	1	rod
22	0.900.1536.2	1	rod
23	0.900.2071.2	1	assembly kit
24	0.010.2077.2	1	knob
25	0.900.1536.3	1	controls assembly
26	0.900.1536.4	1	shock absorber
27	0.900.1536.5	1	body
28	0.900.1564.1	1	spare parts kit
30	0.900.1564.3	1	spare parts kit
31	0.900.1564.4	1	spare parts kit
32	0.900.1564.5	1	spare parts kit
33	0.900.1564.0	1	spare parts kit
34	0.900.1564.2	1	spare parts kit
35	0.900.1563.9	1	spare parts kit
36	0.900.2071.3	1	accessories
37	0.900.2080.5	1	assembly kit
38	0.900.1564.7	1	spare parts kit
39	0.900.1564.6	1	spare parts kit
40	0.900.1884.1	1	accessories
41	0.900.1884.2	1	accessories
43	0.000.0000.1		cannot be supplied
44	0.900.2080.4	1	spare parts kit

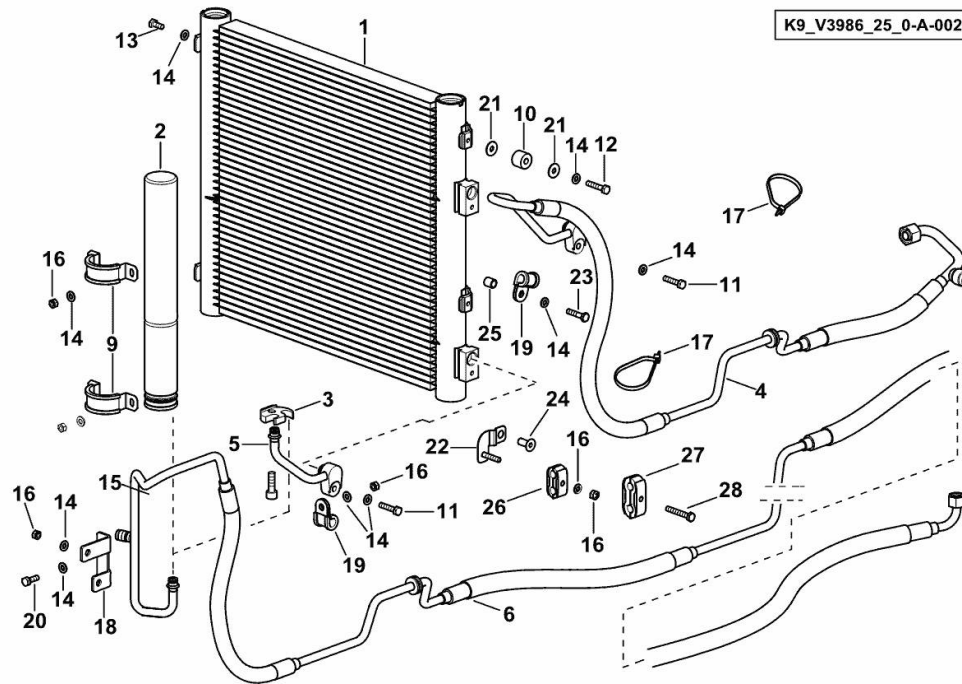


AIR CONDITIONING SYSTEM

Fig.	P/n	QTY	Name
------	-----	-----	------

Notes:

[SPARK 150.4 -> WSXAN70200LL50010]



1	0.018.6437.4/10	1	condenser
2	0.019.0809.4	1	filter
3	0.018.9831.0	1	spacer
4	0.020.1760.4/20	1	tube
5	0.019.1448.4	1	tube
6	0.020.1759.3/30	1	tube
9	0.018.9844.0	2	bracket
10	2.1549.665.2	2	spacer
11	2.0112.010.2	2	screw m 6 p.1x30
12	2.0112.011.2	2	screw m 6 p.1x30
13	2.0112.004.2	2	screw m 6 p.1 x 14
14	2.1310.002.2	13	flat washer 6.4x12.5
15	2.0312.208.2	1	screw m 8 p.1.25 x 25
16	2.1011.103.2	5	nut m 6 p.1
17	2.6852.203.0	3	clamp 292 x 4.8
18	0.019.3858.0	1	bracket
19	2.6839.055.0	2	clamp Ø 11 / 20
20	2.0112.006.2	1	screw m 6 p.1 x 18
21	2.1312.003.2	4	washer 6
22	0.020.1784.3/20	1	bracket
23	2.0112.006.2	1	screw m 6 p.1 x 18
24	2.0342.305.3	1	screw m 8 x 20
25	2.1549.546.2	1	spacer
26	2.3321.007.0	1	collar Ø10/10
27	2.3321.008.0	1	collar
28	2.0112.015.2	1	screw m 6 p.1x40

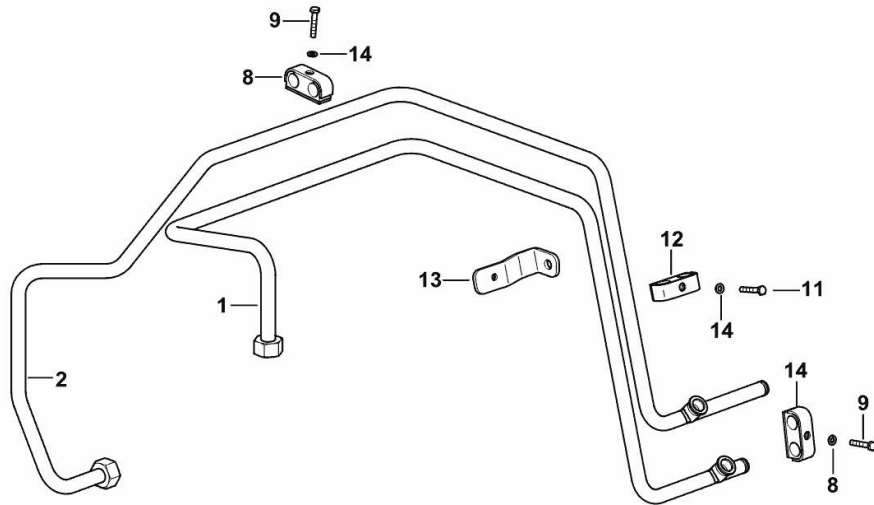
AIR CONDITIONING UNIT - LINES

Fig.	P/n	QTY	Name
------	-----	-----	------

Notes:

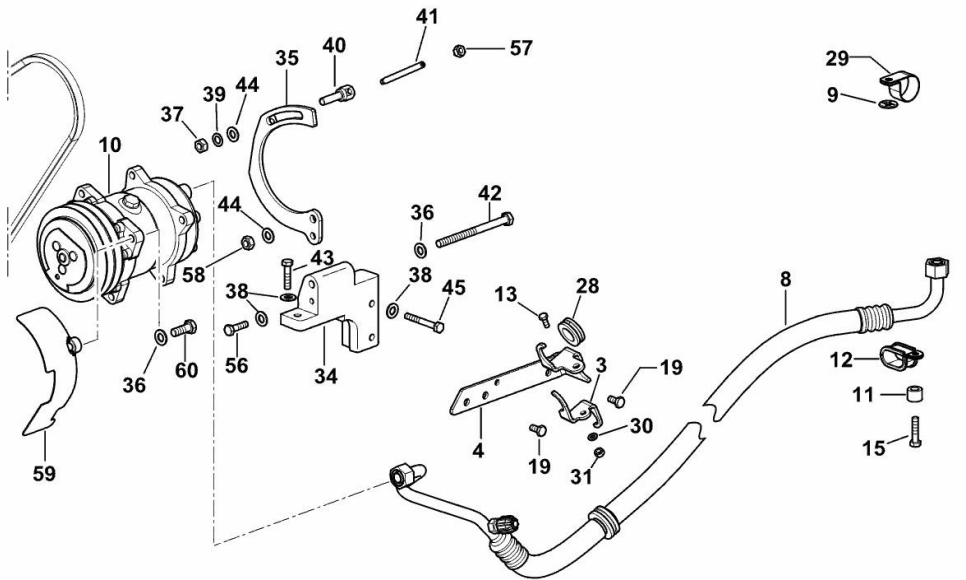
[SPARK 150.4 -> WSXAN70200LL50010]

1	0.018.5976.3/20	1	tube
2	0.018.6202.3/50	1	tube
8	2.3320.219.0	2	terminal
9	2.0112.013.2	2	screw m 6 p.1 x 35
11	2.0112.015.2	1	screw m 6 p.1x40
12	2.3320.319.0	1	terminal
13	0.019.0685.3/10	1	bracket
14	2.1310.002.2	3	flat washer 6.4x12.5



K9_V7986_22_0-A-002

AIR CONDITIONING SYSTEM



K9_V7986_23_0-C-004

Fig.	P/n	QTY	Name
------	-----	-----	------

Notes:

[SPARK 150.4 -> WSXAN70200LL50010]

3	0.019.9552.0	1	bracket
4	0.019.9790.0	1	bracket
8	0.019.1108.3/10	1	tube
9	04422852	1	washer
10	04437339/10	1	compressor R 134a ☞ 04437339/10
11	04452081	1	bush
12	04452085	1	bracket
13	2.0112.005.2	1	screw m 6 p.1 x 16
15	2.0112.213.2	1	screw m 8 p.1.25 x 35
19	2.0114.205.2	2	screw m 8 p.1.25 x 16
28	2.6560.021.0	1	wire guide 25x5x33x42h15
29	2.6839.050.2	1	clamp Ø 35
30	2.1310.002.2	1	flat washer 6.4x12.5
31	2.1011.103.2	1	nut m 6 p.1
34	0.018.5529.0/10	1	support
35	0.018.1959.2/20	1	bracket
36	2.1475.003.2	2	washer 10
37	2.1011.106.2	1	nut m 10 p.1.5
38	2.1475.102.2	4	washer 8.4 x 16
39	2.1470.006.2	1	lock washer 10
40	2.0399.222.2	1	screw m 10 p.1.5 x 35
41	2.0399.221.2	1	screw m 8 p.1.25 x 95
42	2.0112.335.2	1	screw m 10 p.1.5 x 130
43	2.0112.211.2	1	screw m 8 p.1.25 x 30
44	2.1310.006.2	2	flat washer 10.5x21
45	2.0112.220.2	2	screw m 8 p.1.25x55
56	2.0112.209.2	1	screw m 8 p 1.25 x 25
57	2.1011.105.2	1	nut m 8 p.1.25
58	2.1121.007.2	1	nut m 10 p.1.5
59	0.019.7765.2	1	guard
60	2.0112.310.2	1	screw m 10 p.1.5x28

Buy Now



Our support email:

ebooklibonline@outlook.com