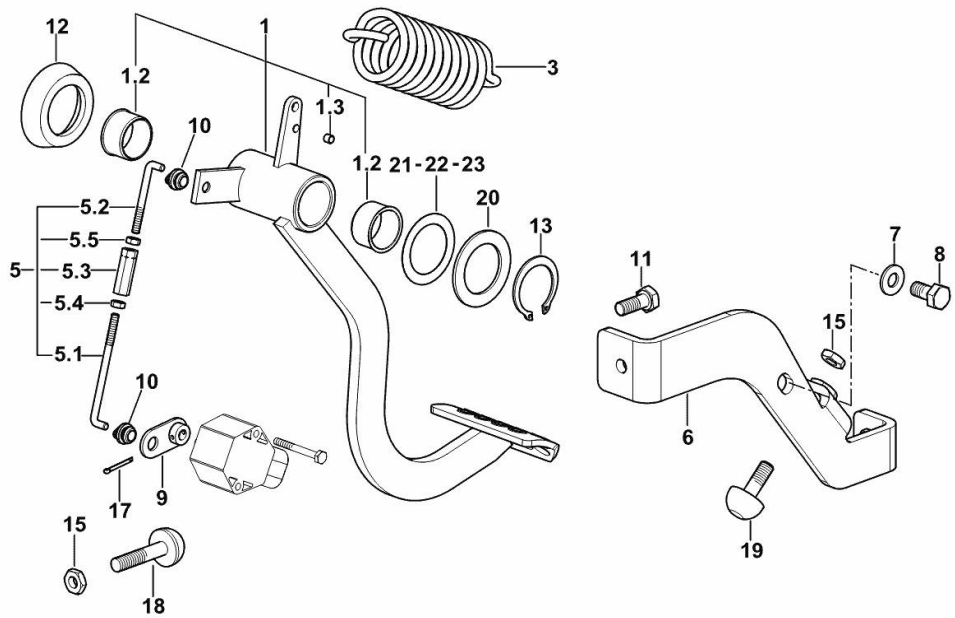


SPARK 150.4 T4i HiProfile-CShift ->WSXAP50200LL50010

Section: G0 - BODYWORK - CAB

Ref: G0.10.0 (1)

**CLUTCH CONTROL**



K9\_AU765\_00\_0-A-001

Fig.	P/n	QTY	Name
------	-----	-----	------

**Notes:**

[SPARK 150.4 T4i HiProfile-CShift ->WSXAP50200LL50010]

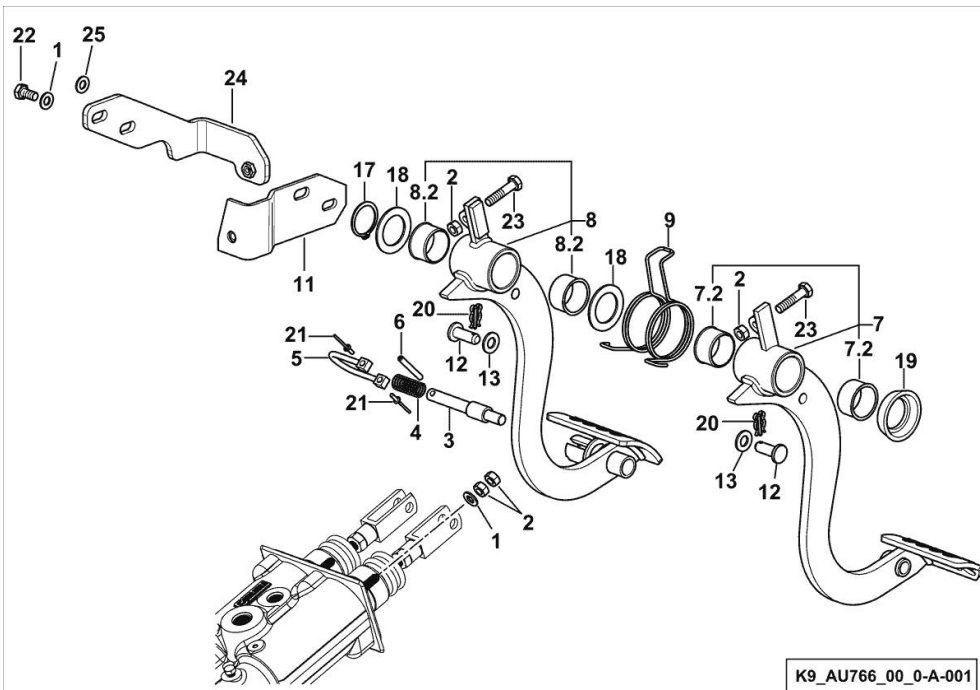
1	0.018.2681.4/20	1	pedal
1.2	2.1559.117.0/20	2	special bushing 30x34x20
1.3	04429987	1	special bushing 5x7x5
3	2.4049.239.2/10	1	spring
5	04427323.4	1	rod
5.1	04426894	1	stay
5.2	04419486	1	stay
5.3	04419487	1	nut m 4
5.4	2.1011.101.2	1	nut
5.5	04419525	1	nut m 4
6	0.020.6464.3/20	1	support
7	2.1310.004.2	1	flat washer 8.4x17
8	2.0114.205.2	1	screw m 8 p.1.25 x 16
9	04429512	1	lever
10	04412894	2	interlock
11	2.0114.207.2	1	screw m 8 p.1.25 x 20
12	2.1599.546.0	1	washer 30.5
13	2.1410.012.1	1	circlip 30
15	2.1011.105.2	2	nut m 8 p.1.25
17	01143001	1	split pin 2x16
18	04386546/10	1	contact surface m 8 x 55
19	04384850	1	contact surface m 8 x 25
20	2.1599.268.0	1	shoulder ring
21	04429740	0.4	shim mm 0,5
22	04429741	0.3	shim mm 1.0
23	04429742	0.3	shim mm 0.3

**BRAKE CONTROLS**

Fig.	P/n	QTY	Name
------	-----	-----	------

**Notes:**

[SPARK 150.4 T4i HiProfile-CShift ->WSXAP50200LL50010]



1	2.1310.004.2	4	flat washer 8.4x17
2	2.1011.105.2	10	nut m 8 p.1.25
3	0.014.1656.0/20	1	pin
4	2.4019.586.2	1	spring
5	0.014.1658.2	1	u bolt
6	2.1630.515.0	1	roll pin 5 x 40
7	0.018.4851.4	1	pedal sx/lh/li
7.2	2.1559.117.0/20	2	special bushing 30x34x20
8	0.018.4848.4	1	pedal dx/rh/re
8.2	2.1559.117.0/20	1	special bushing 30x34x20
9	0.013.7336.0	1	spring
11	0.018.4855.3/30	1	bracket
12	04429518	2	pin
13	2.1310.006.2	2	flat washer 10.5x21
17	2.1410.012.1	1	circlip 30
18	2.1599.268.0	2	shoulder ring
19	2.1599.546.0	1	washer 30.5
20	01175876	2	split pin
21	2.1855.010.0	2	rivet 3.4
22	2.0114.209.2	2	screw m 8 x 25
23	2.0114.213.2	2	screw m 8 x 35
24	0.020.6465.3/20	1	support
25	2.1312.004.2	2	washer 8x24x2

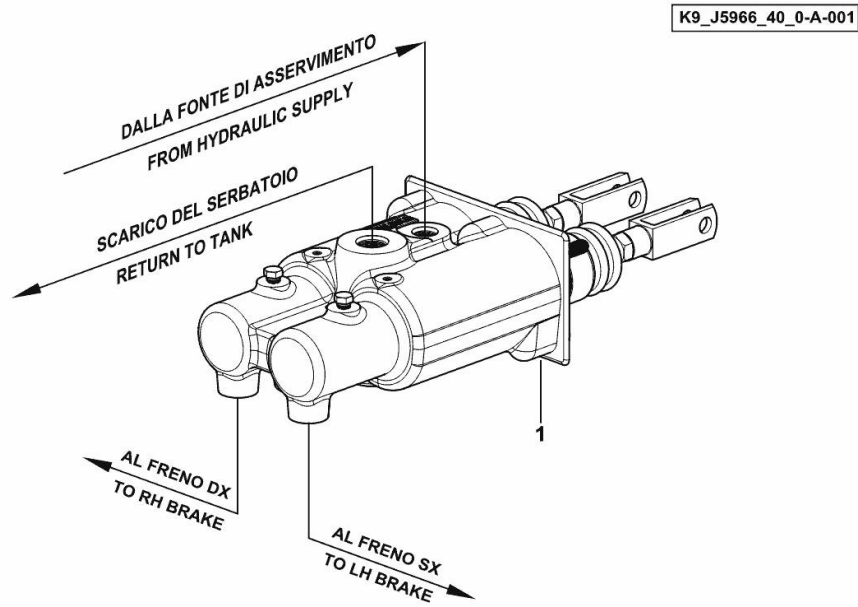
**BRAKE CYLINDER**

Fig.	P/n	QTY	Name
------	-----	-----	------

**Notes:**

[SPARK 150.4 T4i HiProfile-CShift ->WSXAP50200LL50010]

1	2.3729.725.0/10	1	brake pump
---	-----------------	---	------------



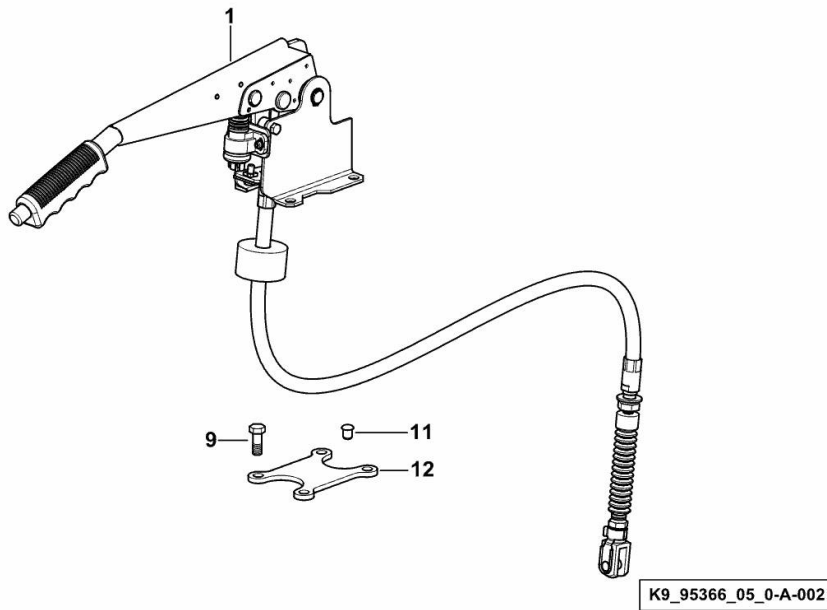
**HAND BRAKE**

Fig.	P/n	QTY	Name
------	-----	-----	------

**Notes:**

[SPARK 150.4 T4i HiProfile-CShift ->WSXAP50200LL50010]

1	0.018.2467.4	1	handbrake lever ☞ 0.018.2467.4
9	2.0114.207.2	4	screw m 8 p.1.25 x 20
11	01167317	1	plug 14.5X11.5X21
12	04429746/10	1	plate



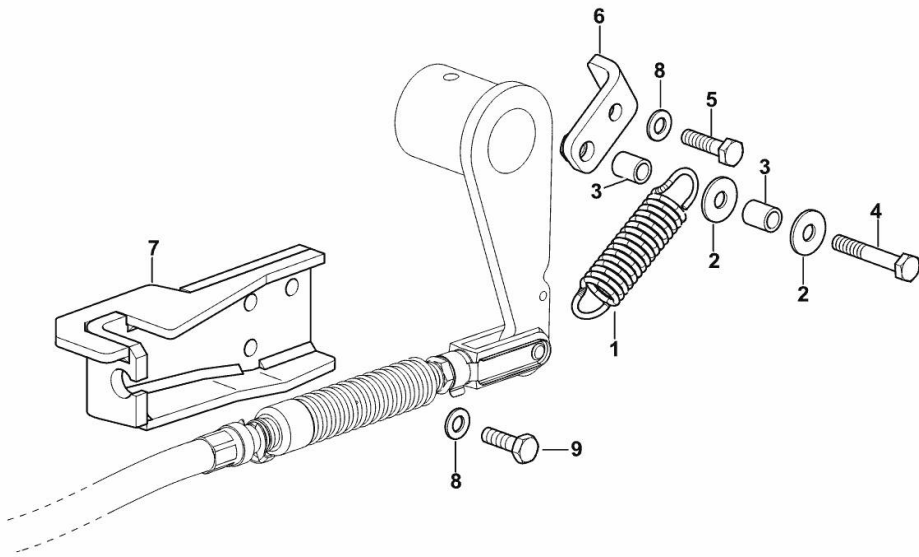
**HAND BRAKE**

Fig.	P/n	QTY	Name
------	-----	-----	------

**Notes:**

[SPARK 150.4 T4i HiProfile-CShift ->WSXAP50200LL50010]

1	04431563	1	spring
2	2.1312.004.2	2	washer 8x24x2
3	04355272	2	bushing 9x13x16
4	2.0112.219.2	1	screw m 8 p.1.25x55
5	2.0114.211.2	1	screw m 8 x 30
6	0.019.5375.3	1	bracket
7	0.019.3924.0/20	1	bracket
8	2.1310.004.2	4	flat washer 8.4x17
9	2.0112.209.2	3	screw m 8 p.1.25 x 25



K9\_V8366\_04\_0-A-002

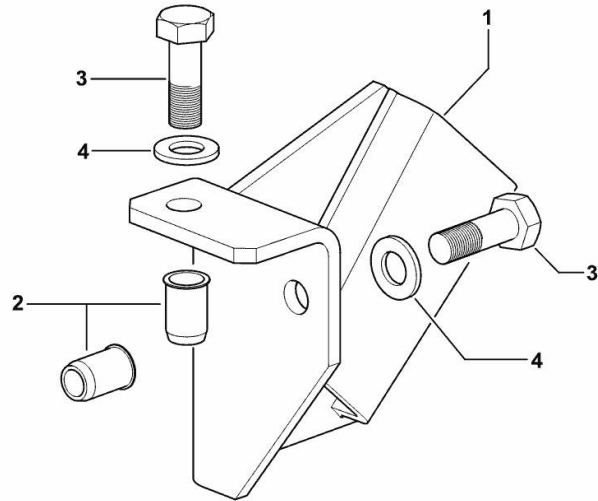
**HANDBRAKE SUPPORT FOR TRAILER**

Fig.	P/n	QTY	Name
------	-----	-----	------

**Notes:**

- ITALY [SPARK 150.4 T4i HiProfile-CShift ->WSXAP50200LL50010]

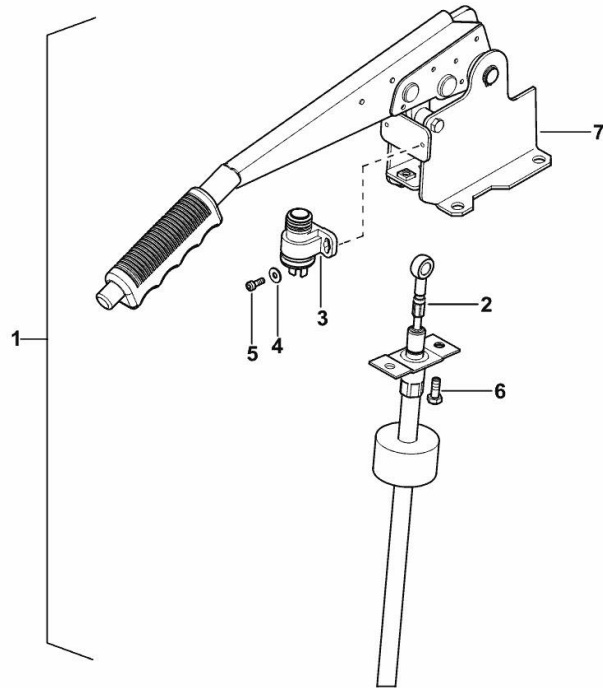
1	0.011.4447.2	1	support
2	2.1142.012.2	2	insert m10
3	2.0112.311.2	2	screw m 10 p.1.5 x 30
4	2.1475.003.2	2	washer 10



K9\_11344\_20\_0-A-001

**HAND BRAKE**

Fig.	P/n	QTY	Name
1	0.018.2467.4	1	handbrake lever
2	0.900.1576.1	1	rod
3	0.900.1576.2	1	switch
4	0.900.1576.3	2	washer
5	0.900.1576.4	2	screw m4x12
6	0.900.1576.5	2	screw m6x20
7	0.900.1576.6	1	handbrake lever



0.018.2467.4

**Buy Now**



Our support email:

[ebooklibonline@outlook.com](mailto:ebooklibonline@outlook.com)