

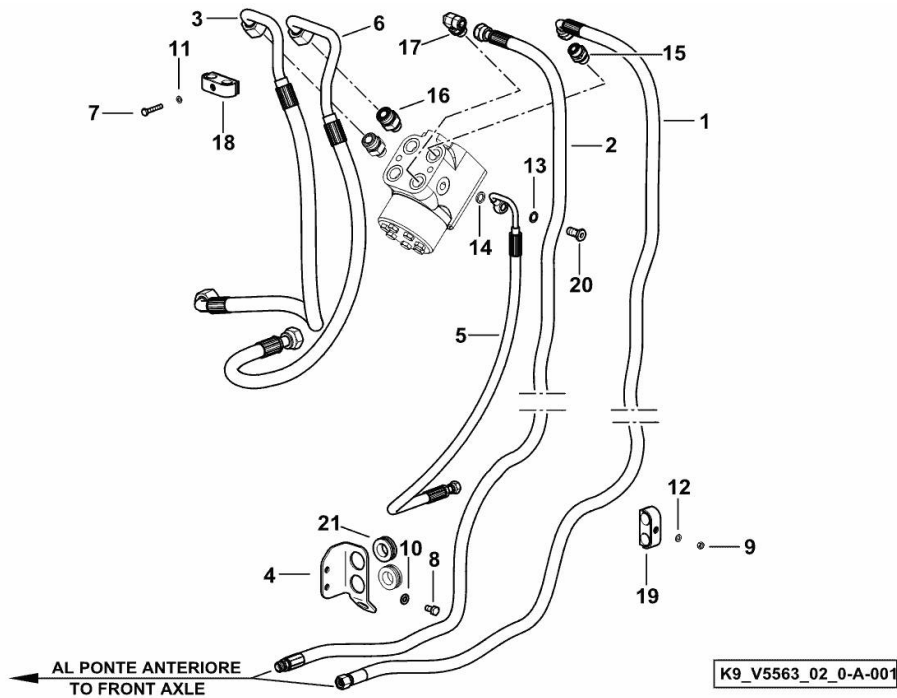
PIPES FOR HYDROSTATIC STEERING

Fig.	P/n	QTY	Name
------	-----	-----	------

Notes:

[SPARK 160.4 -> WSXAP10200LL50010]

1	0.018.2220.3/20	1	tube mm 2210 - sx/lh/li
2	0.018.2221.3/20	1	tube mm 2060 - dx/rh/re
3	0.018.2488.3/20	1	tube
4	0.019.0329.0/10	1	bracket
5	0.019.1659.3/20	1	tube
6	0.019.2636.3/10	1	tube
7	2.0112.013.2	1	screw m 6 p.1 x 35
8	2.0112.205.2	2	screw m 8 p.1.25 x 16
9	2.1011.103.2	1	nut m 6 p.1
10	2.1310.004.2	2	flat washer 8.4x17
11	2.1470.002.2	1	lock washer 6
12	2.1475.001.7	1	washer 6.4x12
13	2.1561.106.0	1	gasket Ø 12 -B-
14	2.1569.118.0	1	gasket 12.5x18x2.5
15	2.3272.009.0	1	pipe fitting m 18/12
16	2.3272.011.0	2	pipe fitting m 18 p.1.5
17	2.3273.006.0	1	pipe fitting m 18
18	2.3320.216.0	1	terminal Ø 16/16 -A-
19	2.3320.321.0	1	terminal Ø 20/20
20	2.3335.005.2	1	pipe union m 12 p.1.5 x 24
21	2.6560.018.0	2	rubber plug 22x5



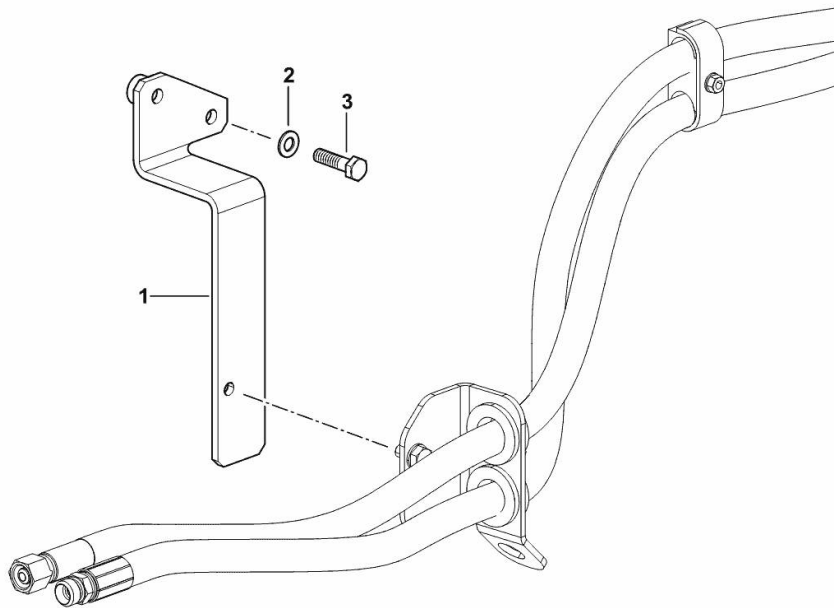
HOSE SUPPORT BRACKET

Fig.	P/n	QTY	Name
------	-----	-----	------

Notes:

[SPARK 160.4 -> WSXAP10200LL50010]

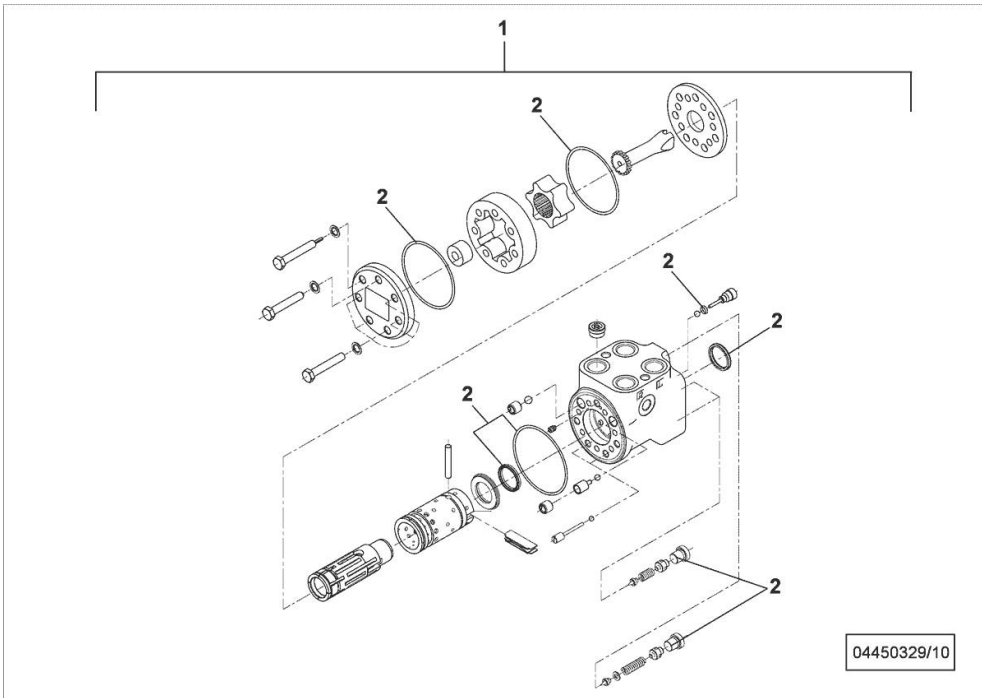
1	0.020.3260.2	1	bracket
2	2.0112.211.2	2	screw m 8 p.1.25 x 30
3	2.1475.002.2	2	conical washer 8



K9_V7152_06_0-A-001

HYDRAULIC STEERING GEAR

Fig.	P/n	QTY	Name
1	04450329/10	1	hydrostatic
2	0.900.2470.0	1	gasket set



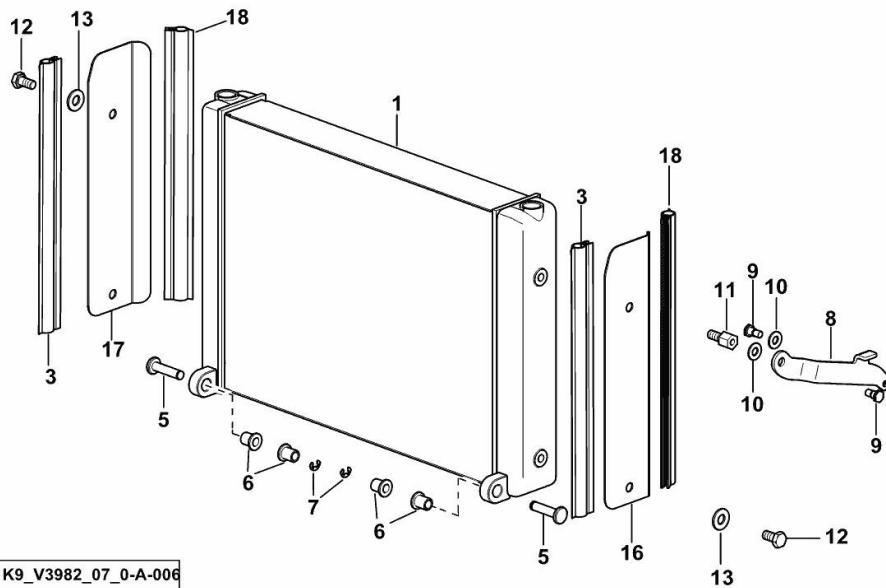
LUBRIC. OIL COOLER

Fig.	P/n	QTY	Name
------	-----	-----	------

Notes:

[SPARK 160.4 -> WSXAP10200LL50010] -> 10010 <-

1	0.016.1580.4	1	oil cooler
3	0.014.4529.0	2	gasket mm 260
5	0.014.4027.0	2	pin
6	2.1559.147.0	4	bushing
7	2.1430.009.2	2	ring 8
8	0.019.9082.0/10	1	bracket
9	0.014.4581.0/10	2	nut m 8
10	2.1399.017.0	2	disc 20x9.5x2
11	2.0399.404.3	1	spacer
12	2.0114.307.2	3	screw m 10 x 20, d933
13	2.1310.006.2	3	flat washer 10.5x21
16	0.020.0651.0/10	1	bracket
17	0.020.7128.0/10	1	bracket
18	0.020.0634.0/10	2	gasket



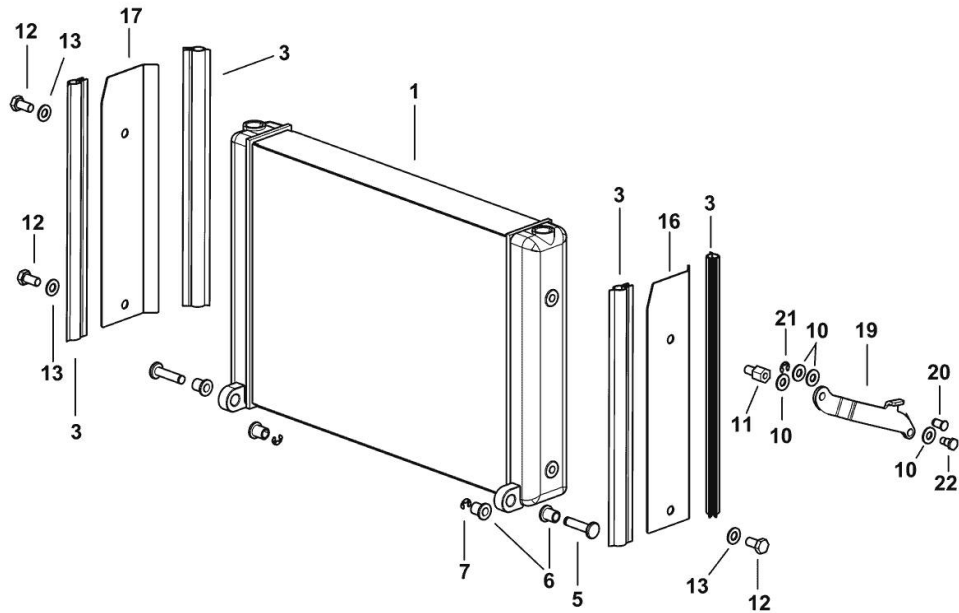
LUBRIC. OIL COOLER

Fig.	P/n	QTY	Name
------	-----	-----	------

Notes:

[SPARK 160.4 -> WSXAP10200LL50010]

1	0.016.1580.4	1	oil cooler
3	0.020.0634.0/10	4	gasket
5	0.014.4027.0	2	pin
6	2.1559.147.0	4	bushing
7	2.1430.009.2	2	ring 8
10	2.1399.017.0	4	disc 20x9.5x2
11	2.0399.404.3	1	spacer
12	2.0114.307.2	3	screw m 10 x 20, d933
13	2.1310.006.2	3	flat washer 10.5x21
16	0.020.0651.0/20	1	plate
17	0.020.7128.0/20	1	plate
20	2.1679.143.2	1	pin
21	2.1430.008.2	1	circlip 7
22	2.0399.425.2	1	insert m 8



K9_V3982_07_0-A-007

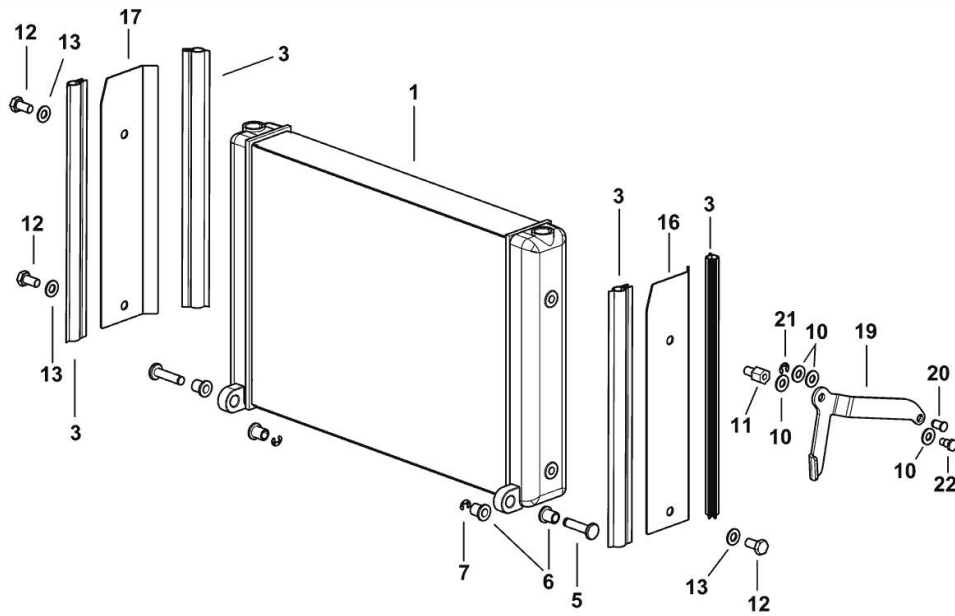
LUBRIC. OIL COOLER

Fig.	P/n	QTY	Name
------	-----	-----	------

Notes:

[SPARK 160.4 -> WSXAP10200LL50010]

1	0.016.1580.4	1	oil cooler
3	0.020.0634.0/10	4	gasket
5	0.014.4027.0	2	pin
6	2.1559.147.0	4	bushing
7	2.1430.009.2	2	ring 8
10	2.1399.017.0	4	disc 20x9.5x2
11	2.0399.404.3	1	spacer
12	2.0114.307.2	3	screw m 10 x 20, d933
13	2.1310.006.2	3	flat washer 10.5x21
16	0.020.0651.0/20	1	plate
17	0.020.7128.0/20	1	plate
19	0.023.2600.0/10	1	bracket
20	2.1679.143.2	1	pin
21	2.1430.008.2	1	circlip 7
22	2.0399.425.2	1	insert m 8



K9_V3982_07_0-A-008

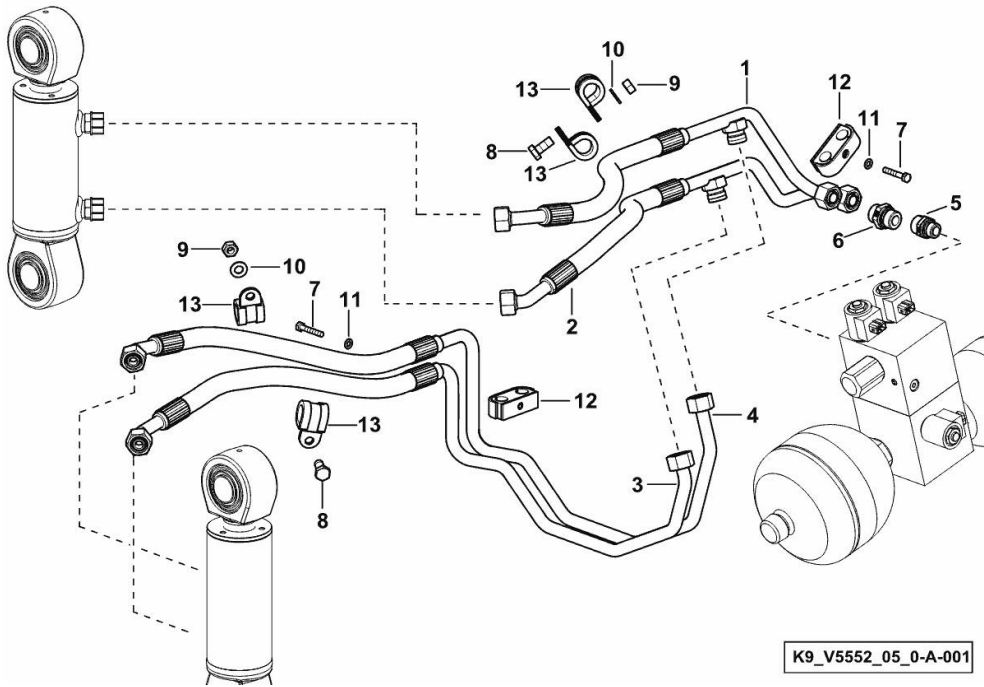
HYDRAULIC SYSTEM FOR SUSPENDED AXLE

Fig.	P/n	QTY	Name
------	-----	-----	------

Notes:

[SPARK 160.4 -> WSXAP10200LL50010]

1	0.019.2030.3/10	1	tube
2	0.019.2031.3/10	1	tube
3	0.019.2032.3/10	1	tube
4	0.019.2034.3/10	1	tube
5	01177226	1	pipe fitting m 18 p.1.5 x 15
6	01179203	1	pipe fitting m 22 p.1.5x15
7	2.0112.013.2	2	screw m 6 p.1 x 35
8	2.0112.308.2	2	screw m 10 p.1.5x22
9	2.1011.106.2	2	nut m 10 p.1.5
10	2.1310.006.2	2	flat washer 10.5x21
11	2.1475.001.7	2	washer 6.4x12
12	2.3320.215.0	2	clamp
13	2.6839.039.2	4	clamp Ø 20/25



Buy Now



Our support email:

ebooklibonline@outlook.com