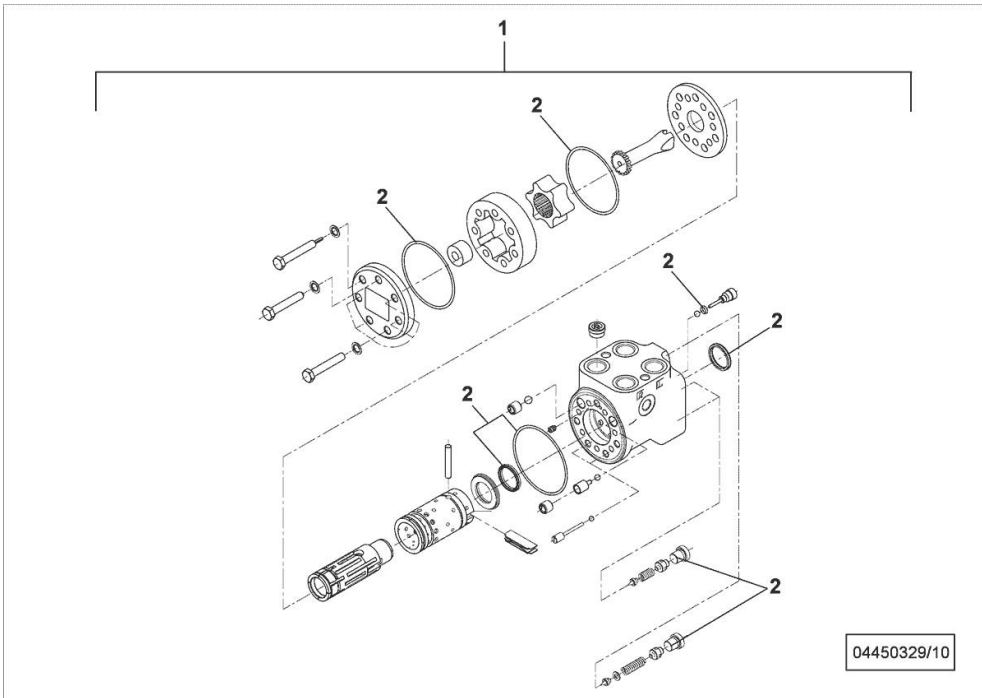


**HYDRAULIC STEERING GEAR**

Fig.	P/n	QTY	Name
1	04450329/10	1	hydrostatic
2	0.900.2470.0	1	gasket set



SPARK 160.4 T4i HiProfile-CShift ->WSXAP90200LL50010

Section: H0 - HYDRAULIC AND PNEUMATIC SYSTEM]

Ref: H0.03.0 (6)

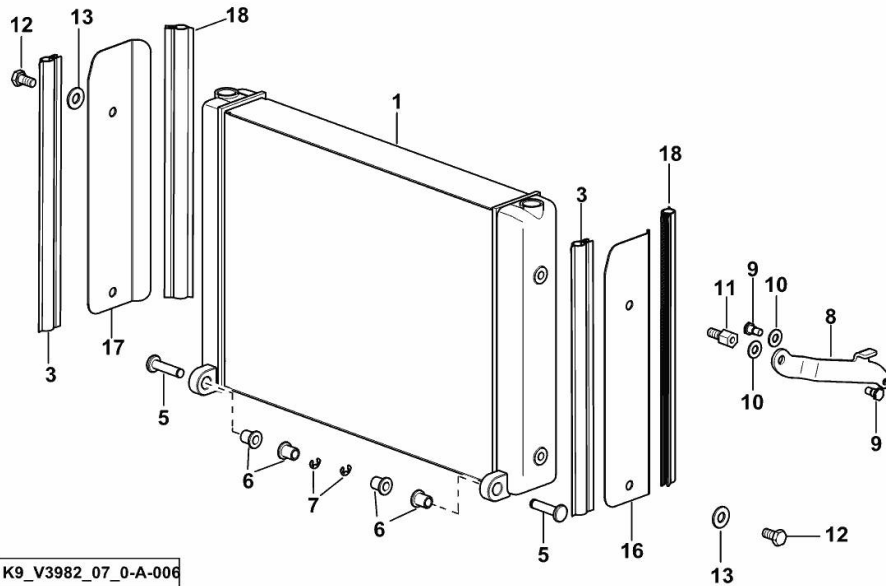
**LUBRIC. OIL COOLER**

Fig.	P/n	QTY	Name
------	-----	-----	------

**Notes:**

[SPARK 160.4 T4i HiProfile-CShift ->WSXAP90200LL50010] 50010 <-

1	0.016.1580.4	1	oil cooler
3	0.014.4529.0	2	gasket mm 260
5	0.014.4027.0	2	pin
6	2.1559.147.0	4	bushing
7	2.1430.009.2	2	ring 8
8	0.019.9082.0/10	1	bracket
9	0.014.4581.0/10	2	nut m 8
10	2.1399.017.0	2	disc 20x9.5x2
11	2.0399.404.3	1	spacer
12	2.0114.307.2	3	screw m 10 x 20, d933
13	2.1310.006.2	3	flat washer 10.5x21
16	0.020.0651.0/10	1	bracket
17	0.020.7128.0/10	1	bracket
18	0.020.0634.0/10	2	gasket



K9\_V3982\_07\_0-A-006

SPARK 160.4 T4i HiProfile-CShift ->WSXAP90200LL50010

Section: H0 - HYDRAULIC AND PNEUMATIC SYSTEM]

Ref: H0.03.0 (7)

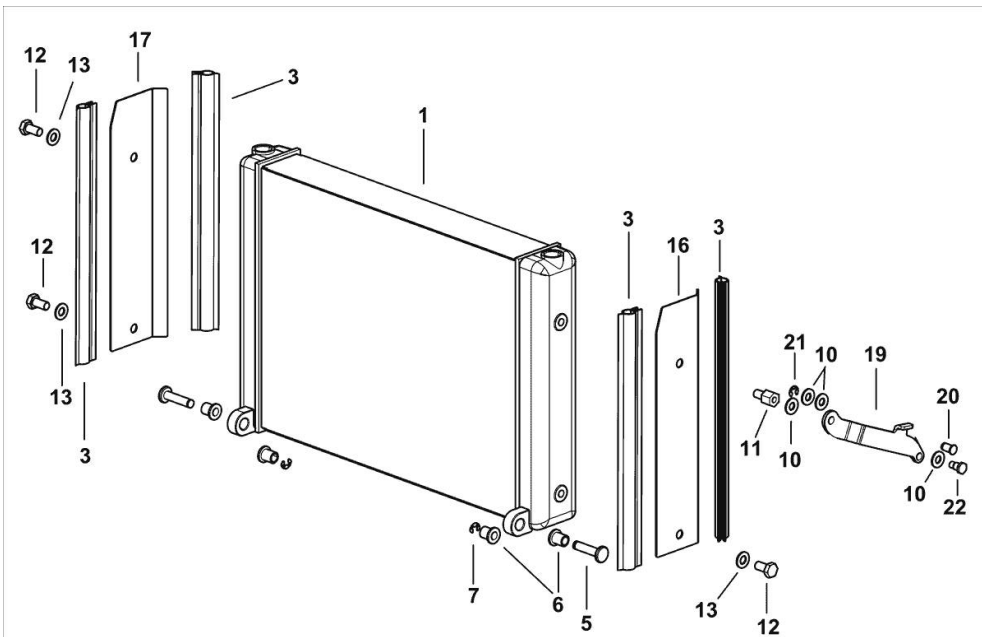
**LUBRIC. OIL COOLER**

Fig.	P/n	QTY	Name
------	-----	-----	------

**Notes:**

[SPARK 160.4 T4i HiProfile-CShift ->WSXAP90200LL50010]

1	0.016.1580.4	1	oil cooler
3	0.020.0634.0/10	4	gasket
5	0.014.4027.0	2	pin
6	2.1559.147.0	4	bushing
7	2.1430.009.2	2	ring 8
10	2.1399.017.0	4	disc 20x9.5x2
11	2.0399.404.3	1	spacer
12	2.0114.307.2	3	screw m 10 x 20, d933
13	2.1310.006.2	3	flat washer 10.5x21
16	0.020.0651.0/20	1	plate
17	0.020.7128.0/20	1	plate
20	2.1679.143.2	1	pin
21	2.1430.008.2	1	circlip 7
22	2.0399.425.2	1	insert m 8



K9\_V3982\_07\_0-A-007

SPARK 160.4 T4i HiProfile-CShift ->WSXAP90200LL50010

Section: H0 - HYDRAULIC AND PNEUMATIC SYSTEM]

Ref: H0.03.0 (8)

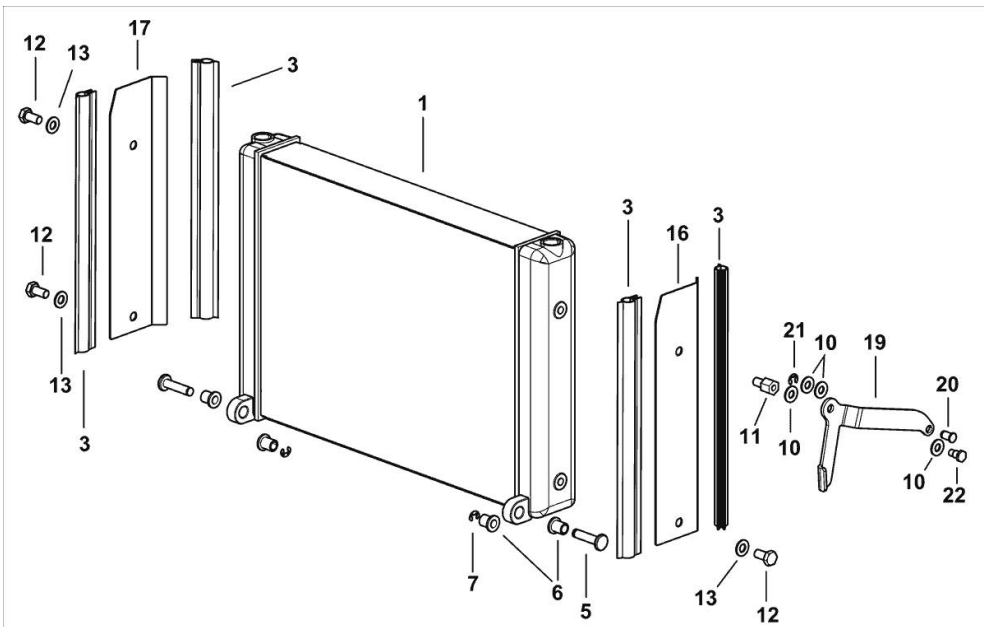
**LUBRIC. OIL COOLER**

Fig.	P/n	QTY	Name
------	-----	-----	------

**Notes:**

[SPARK 160.4 T4i HiProfile-CShift ->WSXAP90200LL50010]

1	0.016.1580.4	1	oil cooler
3	0.020.0634.0/10	4	gasket
5	0.014.4027.0	2	pin
6	2.1559.147.0	4	bushing
7	2.1430.009.2	2	ring 8
10	2.1399.017.0	4	disc 20x9.5x2
11	2.0399.404.3	1	spacer
12	2.0114.307.2	3	screw m 10 x 20, d933
13	2.1310.006.2	3	flat washer 10.5x21
16	0.020.0651.0/20	1	plate
17	0.020.7128.0/20	1	plate
19	0.023.2600.0/10	1	bracket
20	2.1679.143.2	1	pin
21	2.1430.008.2	1	circlip 7
22	2.0399.425.2	1	insert m 8



K9\_V3982\_07\_0-A-008

SPARK 160.4 T4i HiProfile-CShift ->WSXAP90200LL50010

Section: H0 - HYDRAULIC AND PNEUMATIC SYSTEM|

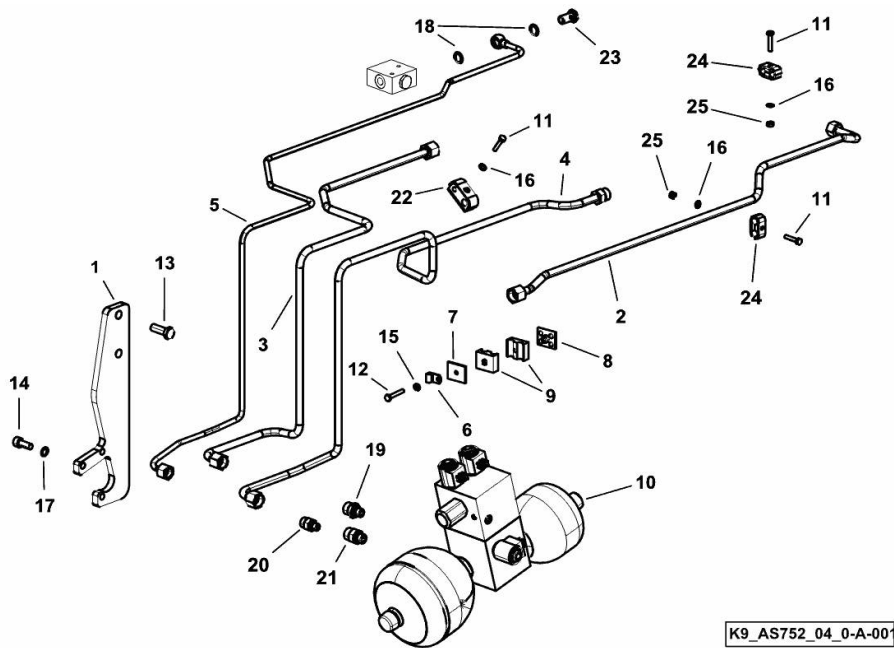
Ref: H0.04.0 (1)

**HYDRAULIC SYSTEM FOR SUSPENDED AXLE**

Fig.	P/n	QTY	Name
------	-----	-----	------

**Notes:**

- FOR TYPES WITH ROBOTIC GEARBOX [SPARK 160.4 T4i HiProfile-CShift ->WSXAP90200LL50010]



1	0.015.3776.0/10	1	bracket
2	0.020.7999.3	1	tube
3	0.018.7959.3	1	tube
4	0.018.7999.3	1	tube
5	0.020.8004.3	1	tube
6	01172129	2	terminal B8X15
7	01175616	2	small plate
8	01177274	2	small plate
9	01180439	4	terminal
10	04455149/40	1	accumulator kpl. ☞ 04455149/40
11	2.0112.011.2	3	screw m 6 p.1x30
12	2.0112.015.2	2	screw m 6 p.1x40
13	2.0112.413.2	2	screw m 12 p.1.75x35
14	2.0312.308.2	3	screw m 10 p.1.5 x 25
15	2.1310.002.2	2	flat washer 6.4x12.5
16	2.1475.001.7	3	washer 6.4x12
17	2.1480.015.1	3	washer 10
18	2.1560.010.0	2	gasket 14.2 x 20
19	2.3249.313.2	1	pipe fitting m 14 p.1.5-13/16
20	2.3272.005.0	1	pipe fitting m 12
21	2.3272.008.0	1	pipe fitting m 16/12
22	2.3320.204.0	1	collar Ø 8/12
23	2.3335.006.2	1	pipe union m 14 p.1.5X26
24	2.3321.010.0	2	collar Ø 12/12
25	2.1011.103.2	2	nut m 6 p.1

SPARK 160.4 T4i HiProfile-CShift ->WSXAP90200LL50010

Section: H0 - HYDRAULIC AND PNEUMATIC SYSTEM|

Ref: H0.04.1 (1)

**HYDRAULIC SYSTEM FOR SUSPENDED AXLE**

K9\_U1552\_04\_0-A-001

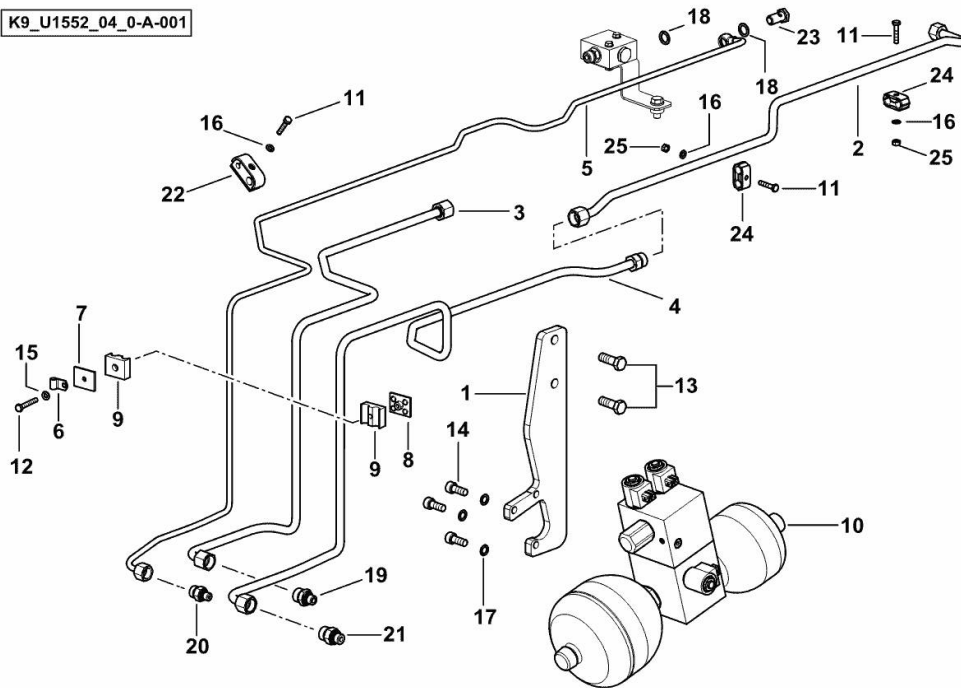


Fig.	P/n	QTY	Name
------	-----	-----	------

Notes:

- FOR TYPES WITH NON-ROBOTIC GEARBOX [SPARK 160.4 T4i HiProfile-CShift ->WSXAP90200LL50010]

1	0.015.3776.0/10	1	bracket
2	0.018.7773.3	1	tube
3	0.018.7959.3	1	tube
4	0.018.7999.3	1	tube
5	0.018.8116.3/10	1	tube
6	01172129	2	terminal B8X15
7	01175616	2	small plate
8	01177274	2	small plate
9	01180439	4	terminal
10	04455149/40	1	accumulator kpl. ☞ 04455149/40
11	2.0112.011.2	3	screw m 6 p.1x30
12	2.0112.015.2	2	screw m 6 p.1x40
13	2.0112.413.2	2	screw m 12 p.1.75x35
14	2.0312.308.2	3	screw m 10 p.1.5 x 25
15	2.1310.002.2	2	flat washer 6.4x12.5
16	2.1475.001.7	3	washer 6.4x12
17	2.1480.015.1	3	washer 10
18	2.1560.010.0	2	gasket 14.2 x 20
19	2.3249.313.2	1	pipe fitting m 14 p.1.5-13/16
20	2.3272.005.0	1	pipe fitting m 12
21	2.3272.008.0	1	pipe fitting m 16/12
22	2.3320.204.0	1	collar Ø 8/12
23	2.3335.006.2	1	pipe union m 14 p.1.5X26
24	2.3321.010.0	2	collar Ø 12/12
25	2.1011.103.2	2	nut m 6 p.1

SPARK 160.4 T4i HiProfile-CShift ->WSXAP90200LL50010

Section: H0 - HYDRAULIC AND PNEUMATIC SYSTEM|

Ref: H0.04.2 (1)

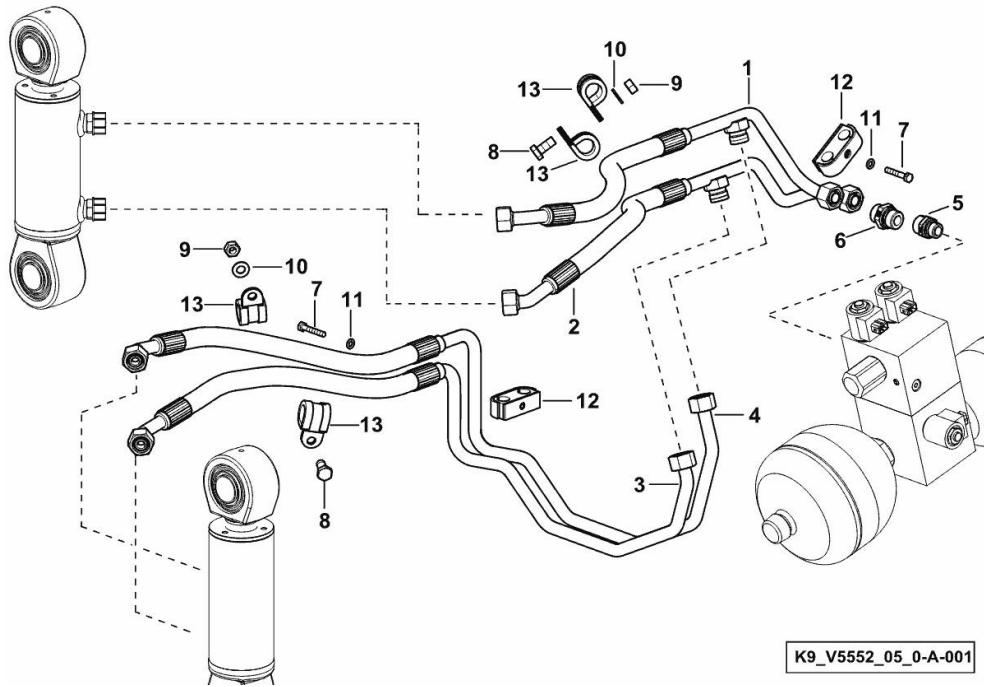
**HYDRAULIC SYSTEM FOR SUSPENDED AXLE**

Fig.	P/n	QTY	Name
------	-----	-----	------

**Notes:**

[SPARK 160.4 T4i HiProfile-CShift ->WSXAP90200LL50010]

1	0.019.2030.3/10	1	tube
2	0.019.2031.3/10	1	tube
3	0.019.2032.3/10	1	tube
4	0.019.2034.3/10	1	tube
5	01177226	1	pipe fitting m 18 p.1.5 x 15
6	01179203	1	pipe fitting m 22 p.1.5x15
7	2.0112.013.2	2	screw m 6 p.1 x 35
8	2.0112.308.2	2	screw m 10 p.1.5x22
9	2.1011.106.2	2	nut m 10 p.1.5
10	2.1310.006.2	2	flat washer 10.5x21
11	2.1475.001.7	2	washer 6.4x12
12	2.3320.215.0	2	clamp
13	2.6839.039.2	4	clamp Ø 20/25



**Buy Now**



Our support email:

[ebooklibonline@outlook.com](mailto:ebooklibonline@outlook.com)