

SPARK 180 T4i HiProfile-CShift ->WSXAU10200LL50010

Section: G0 - BODYWORK - CAB

Ref: G0.06.19 (1)

CONTROL CONSOLE DX/RH/RE

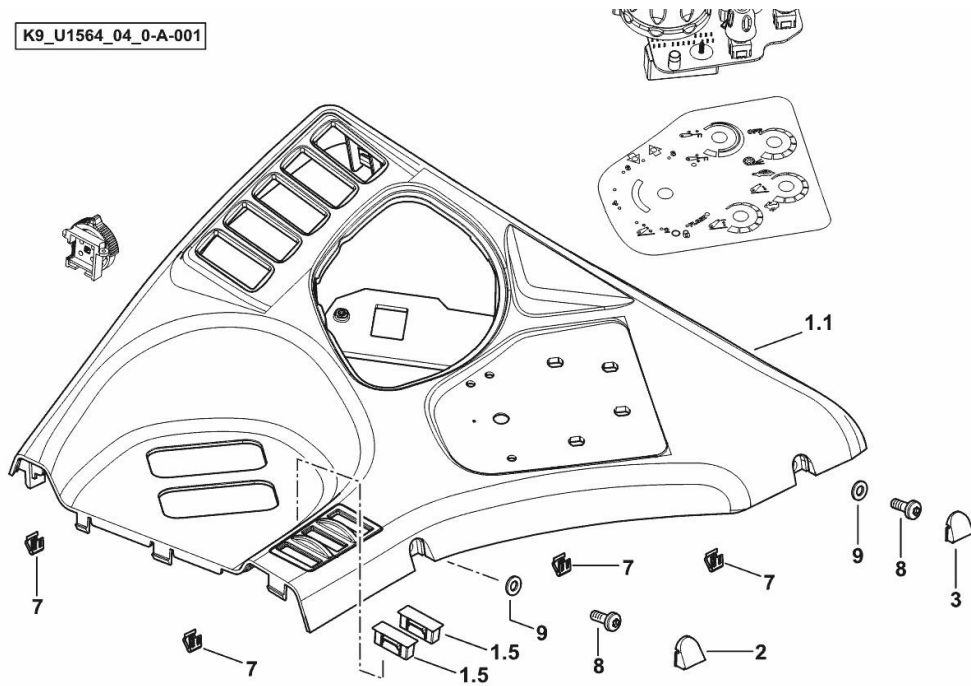
Fig.	P/n	QTY	Name
------	-----	-----	------

Notes:

- WITH ELECTRONIC 10-WAY REMOTE VALVE [SPARK 180 T4i HiProfile-CShift ->WSXAU10200LL50010]

1.1	0.019.4449.2	1	front grille
1.5	0.019.4588.0	2	plug
2	0.019.4586.0	1	plug
3	0.019.4587.0	1	plug
7	0.013.4283.0	4	clip
8	2.0330.406.2	3	screw m 6 p.1.0 x 16
9	2.1310.002.3	3	flat washer 6.4 x 12 x 1.6

K9_U1564_04_0-A-001



SPARK 180 T4i HiProfile-CShift ->WSXAU10200LL50010

Section: G0 - BODYWORK - CAB

Ref: G0.06.21 (1)

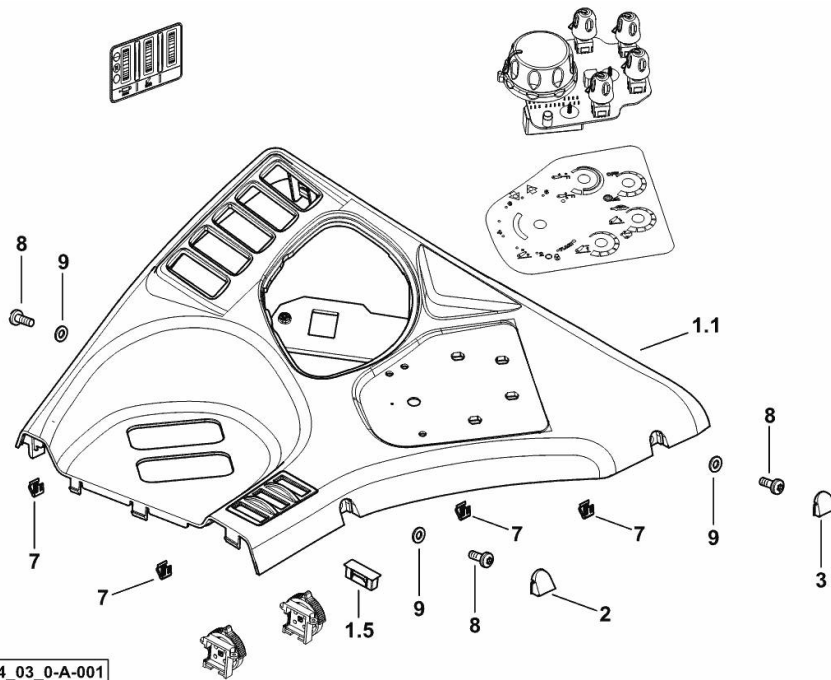
CONTROL CONSOLE DX/RH/RE

Fig.	P/n	QTY	Name
------	-----	-----	------

Notes:

- FOR TYPES WITH 8-WAY AUXILIARY CONTROL VALVE WITH FRONT LIFT AND 2 FRONT SOCKETS
 [SPARK 180 T4i HiProfile-CShift ->WSXAU10200LL50010]

1.1	0.019.4449.2	1	front grille
1.5	0.019.4588.0	1	plug
2	0.019.4586.0	1	plug
3	0.019.4587.0	1	plug
7	0.013.4283.0	4	clip
8	2.0330.406.2	3	screw m 6 p.1.0 x 16
9	2.1310.002.3	3	flat washer 6.4 x 12 x 1.6



K9_U3164_03_0-A-001

SPARK 180 T4i HiProfile-CShift ->WSXAU10200LL50010

Section: G0 - BODYWORK - CAB

Ref: G0.06.23 (1)

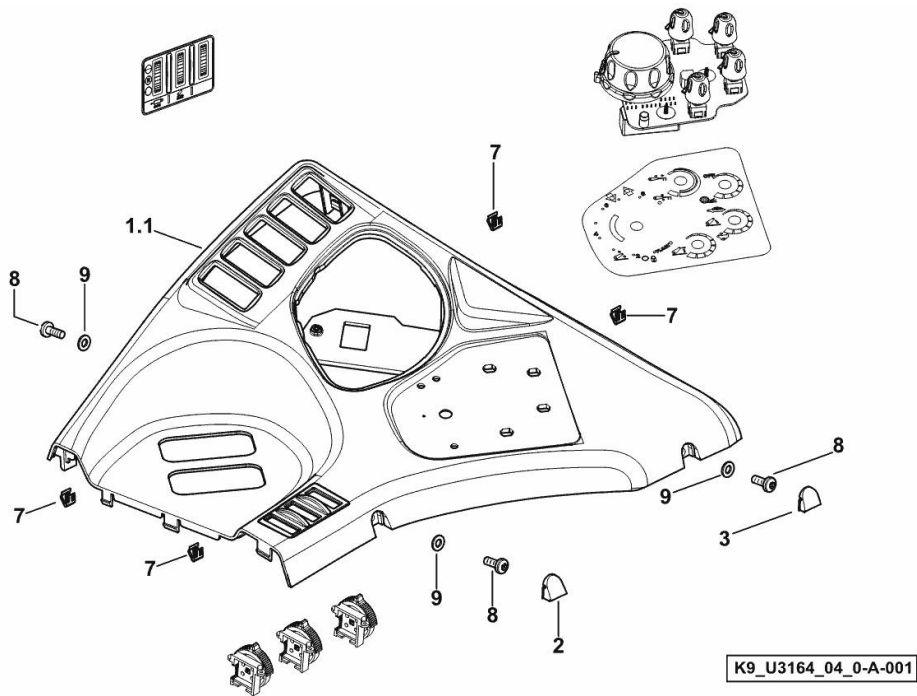
CONTROL CONSOLE DX/RH/RE

Fig.	P/n	QTY	Name
------	-----	-----	------

Notes:

- FOR TYPES WITH 10-WAY AUXILIARY CONTROL VALVE WITH FRONT LIFT AND 2 FRONT SOCKETS
[SPARK 180 T4i HiProfile-CShift ->WSXAU10200LL50010]

1.1	0.019.4449.2	1	front grille
2	0.019.4586.0	1	plug
3	0.019.4587.0	1	plug
7	0.013.4283.0	4	clip
8	2.0330.406.2	3	screw m 6 p.1.0 x 16
9	2.1310.002.3	3	flat washer 6.4 x 12 x 1.6



RIGHT-HAND CONSOLE PARTS KIT

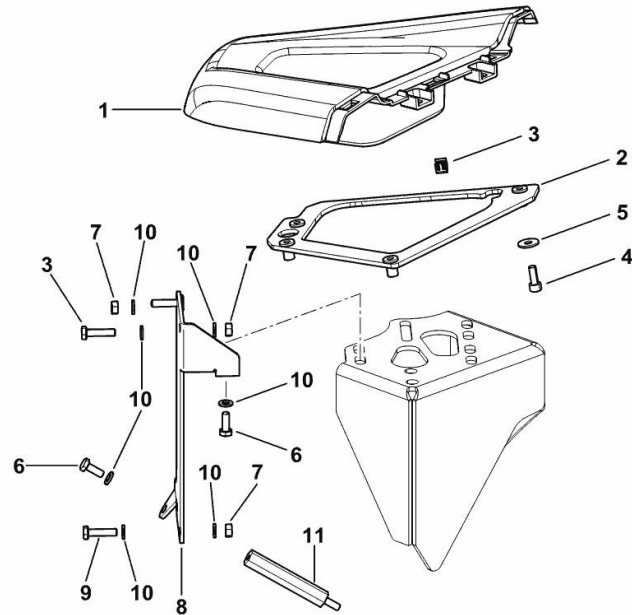
Fig.	P/n	QTY	Name
------	-----	-----	------

Notes:

- FOR TYPES WITHOUT I-MONITOR [SPARK 180 T4i HiProfile-CShift ->WSXAU10200LL50010]

1	0.020.8274.2D	1	cover
2	0.017.0209.2/10	1	bracket
3	0.013.4283.0	2	clip
4	2.0319.017.6	9	screw m 6 p.1.0 x 16
5	2.1312.003.2	9	washer 6
6	2.0112.005.2	2	screw m 6 p.1 x 16
7	2.1011.103.2	4	nut m 6 p.1
8	0.021.4744.3/10	1	bracket
9	2.0112.009.2	3	screw m 6 p.1 x 25
10	2.1310.002.2	9	flat washer 6.4x12.5
11	0.015.7926.0/20	1	small column

K9_AU971_49_0-A-001

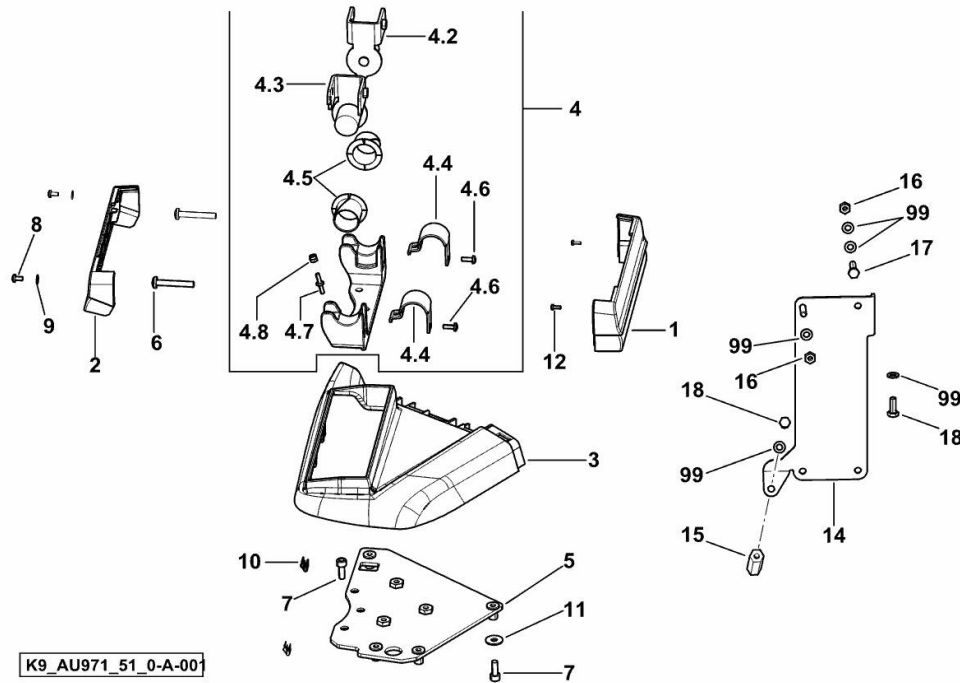


MONITOR FIXINGS

Fig.	P/n	QTY	Name
------	-----	-----	------

Notes:

- FOR TYPES WITH ROBOTIC GEARBOX [SPARK 180 T4i HiProfile-CShift ->WSXAU10200LL50010]



1	0.019.4418.2	1	cover
2	0.019.4420.0	1	cover
3	0.020.8270.2D	1	front grille
4	0.017.2132.4/30	1	support
4.2	0.017.0825.2/20	1	bracket dx/rh/re
4.3	0.017.0826.2/20	1	bracket sx/lh/li
4.4	0.017.0829.0	2	bracket
4.5	0.017.0969.0	2	bushing
4.6	2.0332.204.2	2	screw 4 x 12
4.7	2.0439.315.2	2	stud bolt m 4 x 4
4.8	2.1120.001.2	2	self-locking nut m 4 p.0.7
5	0.017.0816.2	1	bracket
6	2.0332.411.2	2	screw m 6 x 40
7	2.0319.017.6	8	screw m 6 p.1.0 x 16
8	2.0332.202.2	2	screw m 4 x 8
9	2.1310.028.2	2	flat washer
10	0.013.4283.0	2	clip
11	2.1312.003.2	5	washer 6
12	2.0332.102.2	2	screw m 3 x 8
14	0.021.4744.3/10	1	bracket
15	0.015.7926.0/20	1	small column
16	2.1011.103.2	4	nut m 6 p.1
17	2.0112.009.2	3	screw m 6 p.1 x 25
18	2.0112.005.2	2	screw m 6 p.1 x 16
99	2.1310.002.2	5	flat washer 6.4x12.5

K9_AU971_51_0-A-00

SPARK 180 T4i HiProfile-CShift ->WSXAU10200LL50010

Section: G0 - BODYWORK - CAB

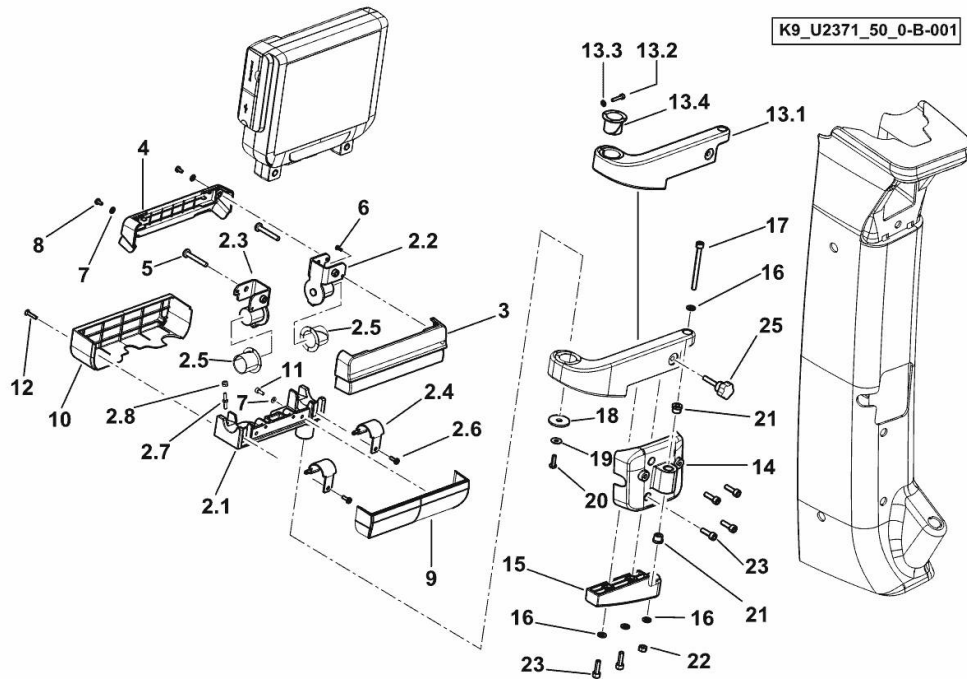
Ref: G0.06.29 (1)

MONITOR FIXINGS

Fig.	P/n	QTY	Name
------	-----	-----	------

Notes:

- FOR TYPES WITH NON-ROBOTIC GEARBOX [SPARK 180 T4i HiProfile-CShift ->WSXAU10200LL50010]



2.1	0.020.2662.0	1	support
2.2	0.017.0825.2/20	1	bracket dx/rh/re
2.3	0.017.0826.2/20	1	bracket sx/lh/li
2.4	0.017.0829.0	2	bracket
2.5	0.017.0969.0	2	bushing
2.6	2.0332.204.2	2	screw 4 x 12
2.7	2.0439.315.2	2	stud bolt m 4 x 4
2.8	2.1120.001.2	2	self-locking nut m 4 p.0.7
3	0.019.4418.2	1	cover
4	0.019.4420.0	1	cover
5	2.0332.411.2	2	screw m 6 x 40
6	2.0332.102.2	2	screw m 3 x 8
7	2.1310.028.2	4	flat washer
8	2.0332.202.2	2	screw m 4 x 8
9	0.020.2707.2D	1	cover
10	0.020.2705.0D	1	cover
11	2.0312.701.2	2	screw m 4 x 10
12	2.0342.005.3	2	screw m 4 p.0.7 x 20
13.1	0.020.2671.0D	1	support
13.2	2.1310.028.2	1	flat washer
13.3	2.0312.706.2	1	screw m 4 x 20
13.4	0.019.5474.0	1	bushing
14	0.020.2694.0D	1	support
15	0.020.2664.0D	1	support
16	2.1310.002.2	4	flat washer 6.4x12.5
17	2.0312.120.2	1	screw m 6 p.1x70
18	2.1399.023.2	1	washer
19	2.1312.002.2	1	washer 5
20	2.0330.306.2	1	screw m 5 x 16
21	2.1559.555.0	2	bushing
22	2.1011.103.2	1	nut m 6 p.1
23	2.0312.106.2	6	screw m 6 p.1 x 20
25	0.011.5752.0/10	1	knob

CONTROL CONSOLE RIGHT - TRIM

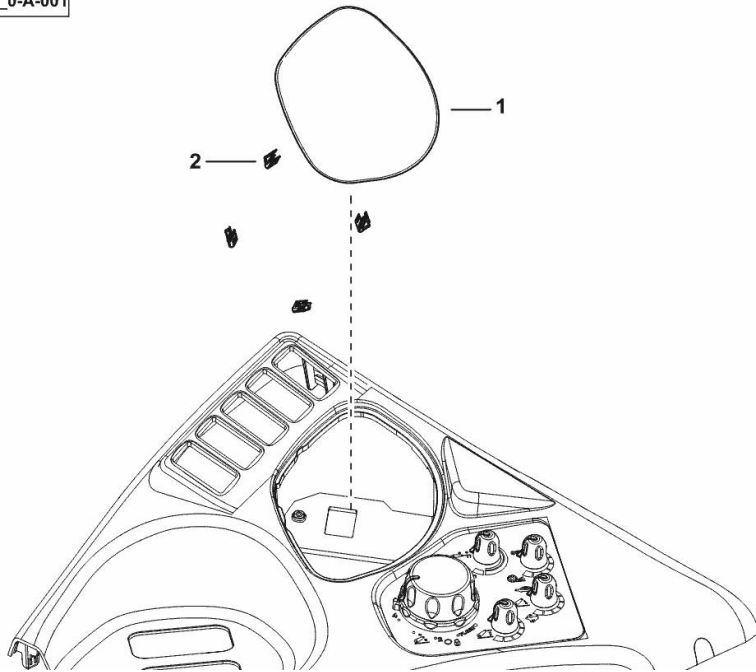
Fig.	P/n	QTY	Name
------	-----	-----	------

Notes:

- FOR TYPES WITHOUT I-MONITOR [SPARK 180 T4i HiProfile-CShift ->WSXAU10200LL50010]

1	0.019.4405.0	1	closure
2	0.013.4283.0	4	clip

K9_U1571_50_0-A-001



Buy Now



Our support email:

ebooklibonline@outlook.com