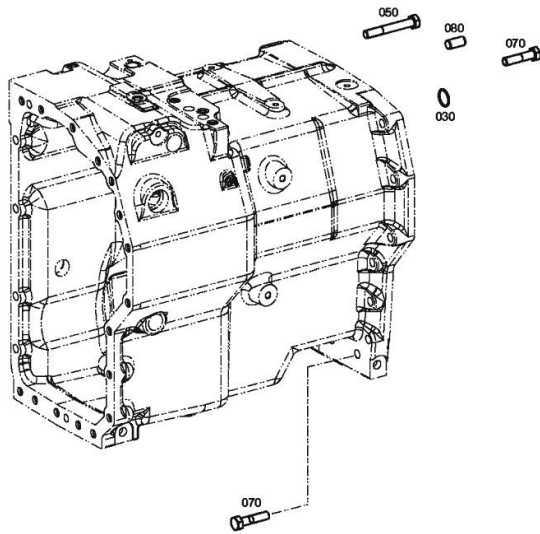


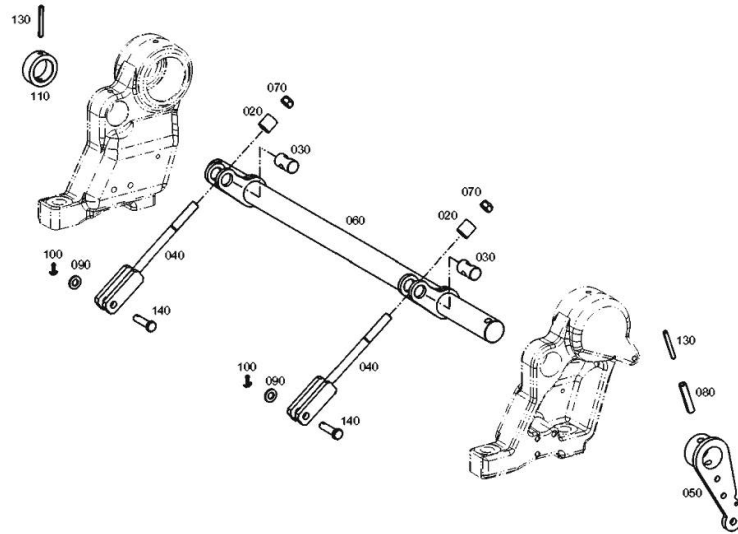
FASTENINGS - 2093 011 015

Fig.	P/n	QTY	Name
30	0.010.2863.1	1	circlip 30
50	0.010.2913.0	1	screw m 14x100
70	0.010.2887.1	19	screw m 14 x 60
80	04416090	2	cylindrical plug 16 m 6x30



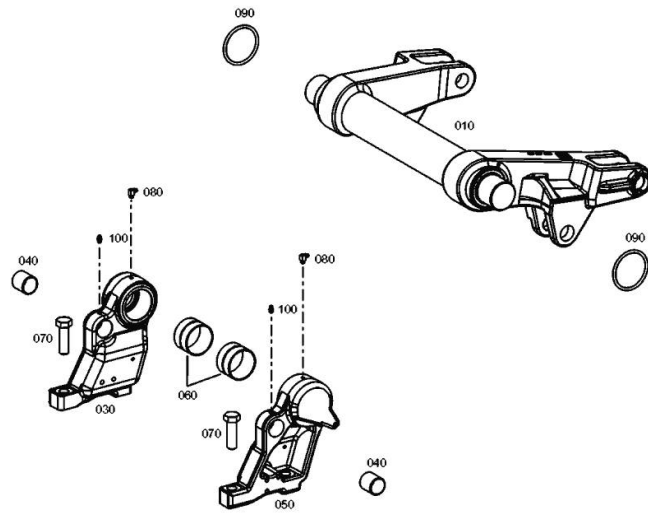
BRAKE CONTROLS - 2093 011 015

Fig.	P/n	QTY	Name
20	0.900.1239.8	2	tube
30	0.900.1239.9	2	pin
40	0.900.2018.6	2	rod
50	0.900.2124.6	1	lever
60	0.900.2018.8	1	shaft
70	0.900.0281.9	2	nut m 12
80	0.900.2018.9	1	pin
90	0.900.0466.9	2	washer
100	0.900.2082.0	2	pin
110	0.900.1240.3	1	spacer
130	0.010.2901.1	2	pin 6x50
140	0.900.2015.9	2	ring



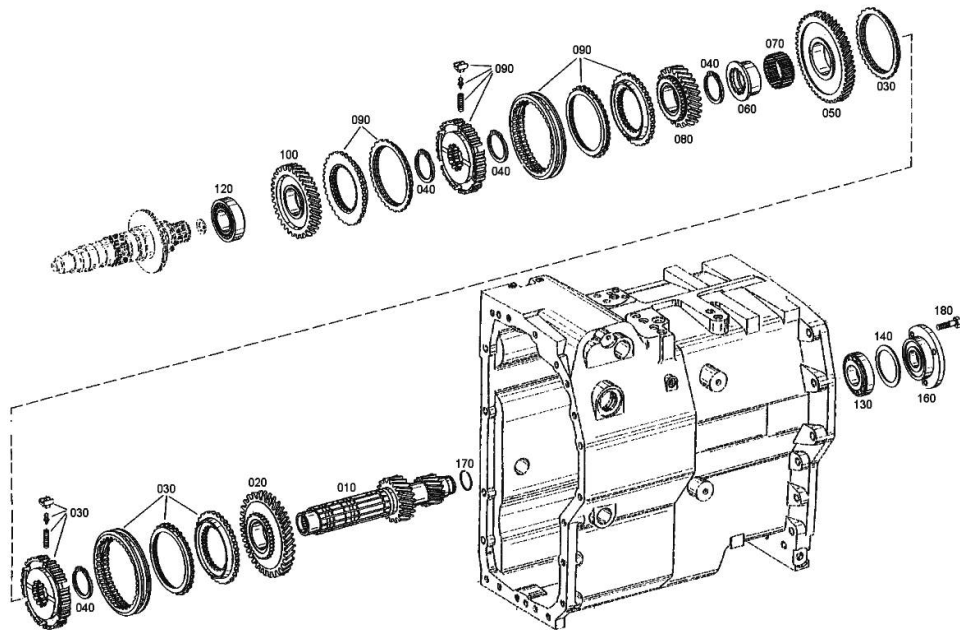
LIFTING - 2093 011 015

Fig.	P/n	QTY	Name
10	0.900.0883.4	1	shaft
30	0.900.1407.9	1	bearing block dx/rh/re
40	0.900.1431.3	2	bearing
50	0.900.1408.0	1	bearing block sx/lh/li
60	04417549	2	special bushing
70	0.900.0469.1	4	screw m 20x65
80	0.900.0498.6	2	grease gun
90	04417552	2	ring 78.5x6
100	0.010.2922.2	2	grease gun m 8 p.1 x 8



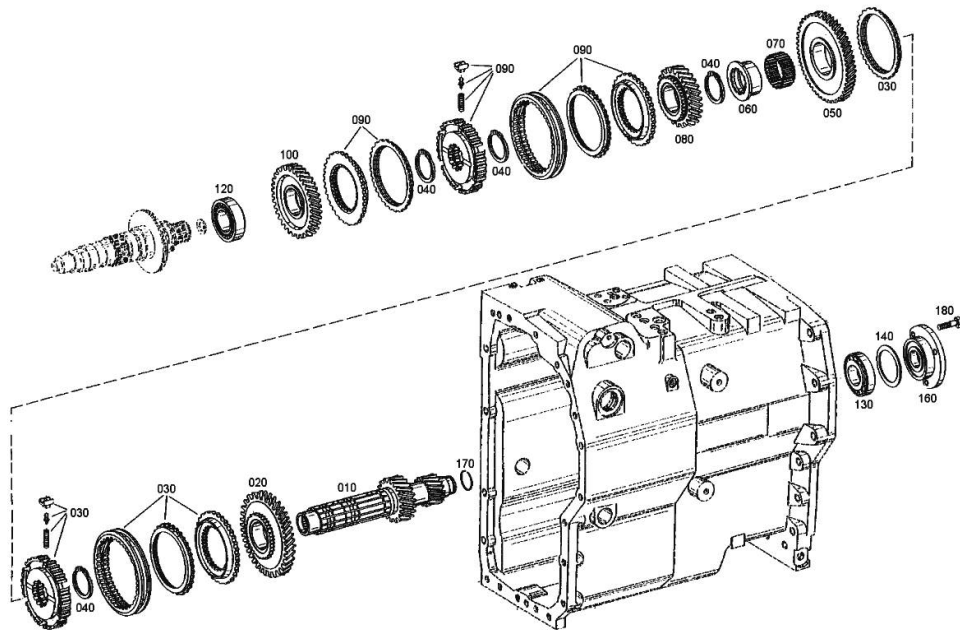
LAYSHAFT - 2093 011 025

Fig.	P/n	QTY	Name
10	0.900.0125.7	1	shaft
20	0.900.1380.7	1	gear Z = 47
30	0.900.0881.6	1	lock synchronizer
40	04415687	4	circlip
50	0.900.1380.8	1	gear Z = 58
60	04417177	1	bush L = 32.3
60	04417178	1	bush L = 32.4
60	04417179	1	bush L = 32.5
60	04417180	1	bush L = 32.6
60	04417181	1	bush L = 32.7
60	04417182	1	bush L = 32.8
70	0.010.2849.1	1	roller cage
80	0.900.1380.6	1	gear
90	0.900.0881.7	1	lock synchronizer
100	0.900.0071.0	1	gear
120	0.010.3759.0	1	roller bearing
130	04415697	1	roller bearing
140	02965988	1	shim mm 2.40
140	04334537	1	shim mm 2.60
140	04334538	1	shim mm 2.55
140	04334539	1	shim mm 2.50
140	04334540	1	shim mm 2.45
140	04334541	1	shim mm 2.35
140	04334542	1	shim mm 2.30
140	04334543	1	shim mm 2.25
140	04334544	1	shim mm 2.20
140	04334545	1	shim mm 2.15
140	04334546	1	shim mm 2.10
140	04334547	1	shim mm 2.05
140	04334548	1	shim mm 2.00
140	04334549	1	shim mm 1.95
140	04334550	1	shim mm 1.90
140	04334551	1	shim mm 1.85
140	04334552	1	shim mm 1.80
140	04334553	1	shim mm 1.75
140	04334554	1	shim mm 1.70
140	04433184	1	shim mm 1.65
140	04433185	1	shim mm 1.60
140	04436332	1	shim mm 1.725
140	04436333	1	shim mm 1.775
140	04436334	1	shim mm 1.875
140	04436335	1	shim mm 1.925
140	04436336	1	shim mm 1.975
160	04415760	1	cover



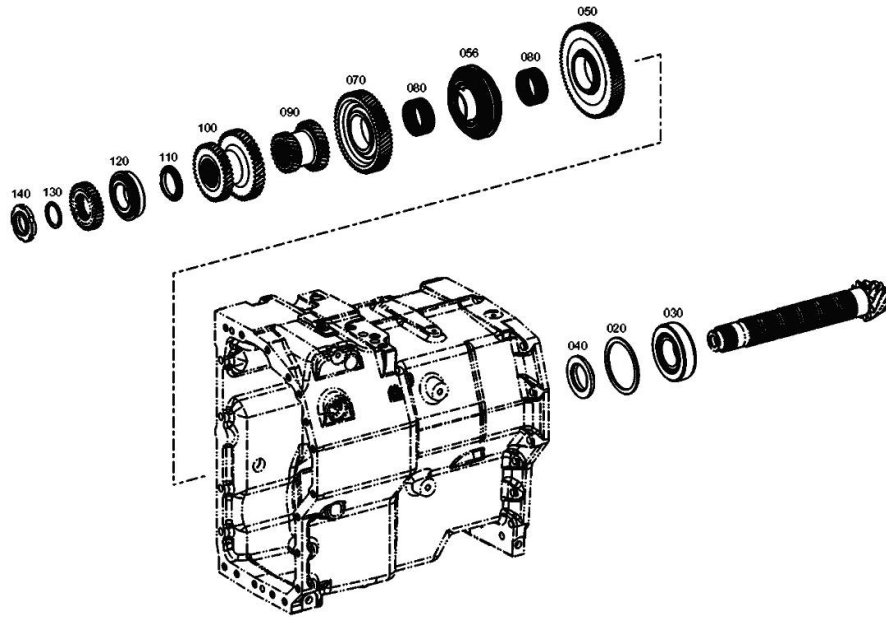
LAYSHAFT - 2093 011 025

Fig.	P/n	QTY	Name
170	04415761	1	ring 35x2
180	0.010.2616.1	3	screw m 10x32



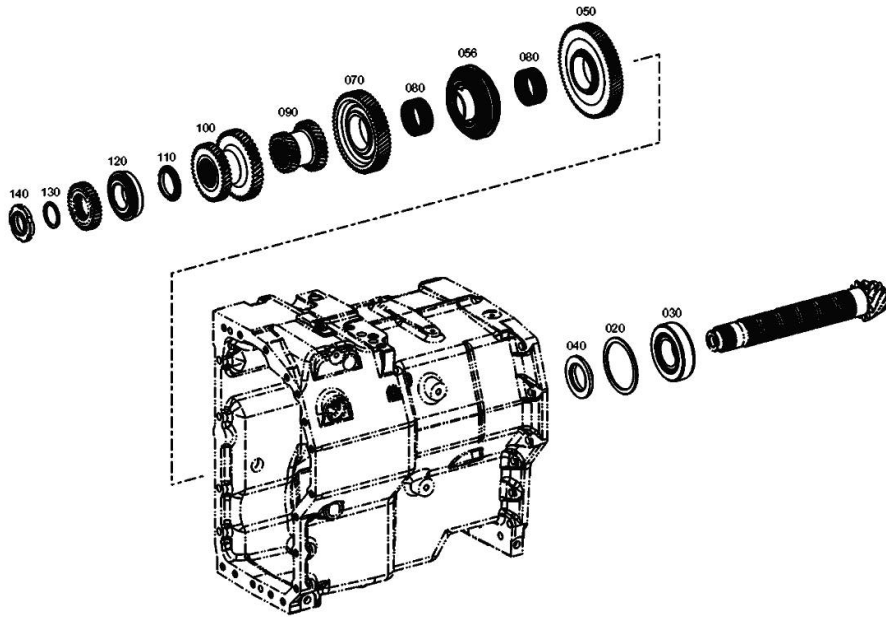
MAIN SHAFT - 2093 011 025

Fig.	P/n	QTY	Name
20	0.010.2849.2	1	shim s = 3.75
20	0.010.2850.0	1	shim s = 3.70
20	0.010.2850.1	1	shim s = 3.65
20	0.010.2850.2	1	shim s = 3.60
20	0.010.2851.0	1	shim s = 3.55
20	0.010.2851.1	1	shim s = 3.50
20	0.010.2851.2	1	shim s = 3.45
20	0.010.2852.0	1	shim s = 3.40
20	0.010.2852.2	1	shim s = 3.77
20	0.900.1459.7	1	shim s = 3.2
20	0.900.1459.8	1	shim s = 3.25
20	0.900.1459.9	1	shim s = 3.3
20	0.900.1460.0	1	shim s = 3.35
20	0.900.1460.1	1	shim s = 3.56
20	0.900.1460.2	1	shim s = 3.57
20	0.900.1460.6	1	shim s = 3.62
20	0.900.1461.0	1	shim s = 3.67
20	0.900.1461.4	1	shim s = 3.72
20	04417170	1	shim s = 3.95
20	04417171	1	shim s = 3.9
20	04417172	1	shim s = 3.85
20	04417173	1	shim s = 3.8
20	04417174	1	shim s = 4.0
20	04417175	1	shim s = 4.05
20	04417176	1	shim s = 4.10
30	0.900.0882.5	1	roller bearing
40	0.900.1459.6	1	slewing ring Z = 46
50	0.900.1381.1	1	gear Z = 75
56	0.010.3840.2	1	lock synchronizer
70	0.900.1380.9	1	gear z = 57
80	04427570	2	roller cage
90	0.900.1381.2	1	gear Z = 31
100	0.900.1381.0	1	gear z=39/41
110	0.010.2858.0	1	shim s = 10.25
110	0.010.2858.1	1	shim s = 10.45
110	0.010.2858.2	1	shim s = 10.50
110	0.010.2859.0	1	shim s = 10.55
110	0.010.2859.1	1	shim s = 10.60
110	04417159	1	shim s = 10.4
110	04417160	1	shim s = 10.3
110	04417161	1	shim s = 10.2
110	04417162	1	shim s = 10.1
110	04417163	1	shim s = 10.0
110	04417164	1	shim s = 9.9



MAIN SHAFT - 2093 011 025

Fig.	P/n	QTY	Name
110	04417165	1	shim s = 9.8
110	04417166	1	shim s = 9.7
110	04417167	1	shim s = 9.6
110	04424444	1	shim s = 9.85
110	04424445	1	shim s = 9.95
110	04424446	1	shim s = 10.05
110	04424447	1	shim s = 10.15
110	04435222	1	shim s = 10.35
120	04416082	1	roller bearing
130	0.010.2859.2	1	shim s = 3.75
130	0.010.2860.0	1	shim s = 3.80
130	0.010.2860.1	1	shim s = 3.85
130	0.010.2860.2	1	shim s = 3.90
130	0.010.2861.0	1	shim s = 3.95
130	0.010.2861.1	1	shim s = 4.00
130	0.900.1462.0	1	shim s = 2.70
130	0.900.1462.1	1	shim s = 2.8
130	04417146	1	shim s = 3.4
130	04417147	1	shim s = 3.35
130	04417148	1	shim s = 3.3
130	04417149	1	shim s = 3.25
130	04417150	1	shim s = 3.2
130	04417151	1	shim s = 3.15
130	04417152	1	shim s = 3.1
130	04417153	1	shim s = 3.45
130	04417154	1	shim s = 3.50
130	04417155	1	shim s = 3.55
130	04417156	1	shim s = 3.60
130	04417157	1	shim s = 3.65
130	04417158	1	shim s = 3.70
130	04424442	1	shim s = 2.90
130	04424443	1	shim s = 3.00
140	04415763	1	ring nut



Buy Now



Our support email:

ebooklibonline@outlook.com