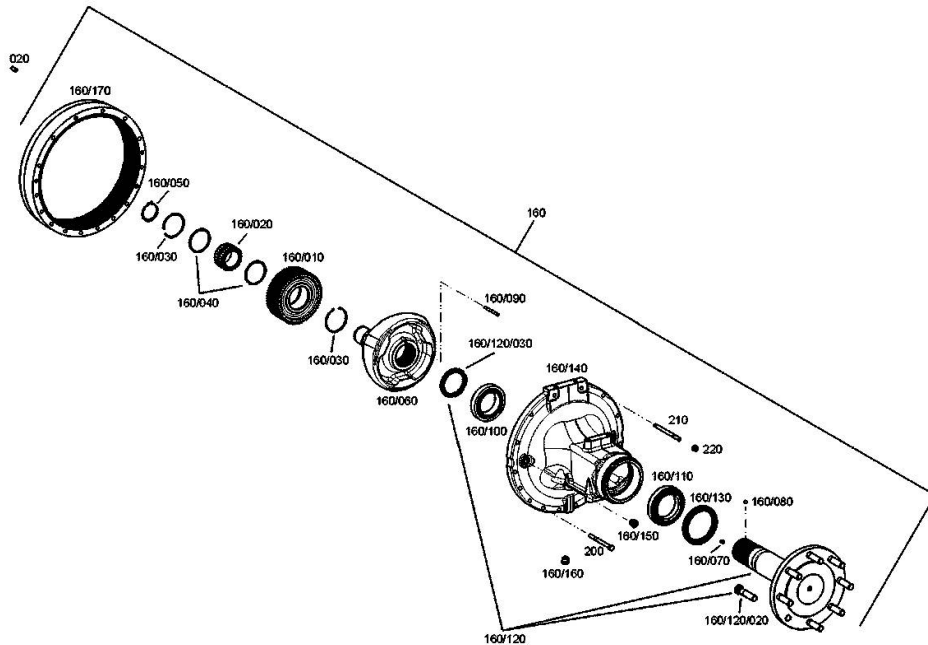


REAR AXLE - 2093 011 016

Fig.	P/n	QTY	Name
20	0.900.0278.2	2	pin 12 x 24
160	0.900.2124.4	2	tube
160.10	0.900.1569.0	3	planet gear
160.20	0.900.1236.2	3	bearing
160.30	0.900.1236.3	6	circlip
160.40	0.900.1236.4	6	ring
160.50	0.900.1236.5	3	circlip
160.60	0.900.1236.6	1	spider
160.70	0.010.3588.2	1	grub screw m 10x16
160.80	04309268	1	ball
160.90	0.900.0278.3	1	roll pin 8x90
160.100	0.900.1236.7	1	bearing
160.110	0.900.2210.1	1	bearing
160.120	0.900.2210.0	1	shaft
160.120.20	0.900.2260.8	8	support
160.120.30	0.900.1237.3	1	ring nut
160.130	0.010.3642.2	1	ring
160.140	0.900.2059.1	1	tube
160.150	0.900.0001.8	2	plug
160.160	0.010.3849.0	1	plug
160.170	0.900.1237.5	1	crown wheel
200	0.900.2017.7	28	screw
210	0.900.2219.7	4	stud bolt m12x150
220	0.900.2017.8	4	nut



DIFFERENTIAL - 2093 011 016

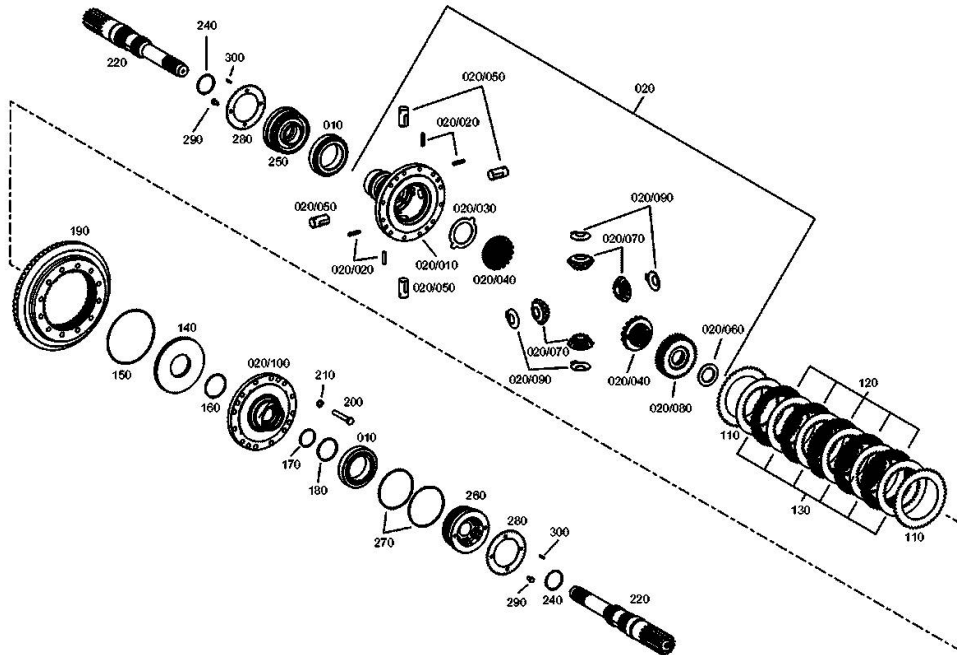


Fig.	P/n	QTY	Name
10	0.010.3580.1	2	roller bearing
20	0.900.2058.5	1	differential carrier
20.10	0.900.2058.6	1	differential carrier
20.20	0.010.3349.0	4	roll pin 8 x 40
20.30	0.900.1586.4	1	slewing ring
20.40	0.900.1584.4	2	crown wheel Z = 18
20.50	0.900.1588.4	4	axle
20.60	0.900.0124.0	1	slewing ring
20.70	0.900.1584.3	4	planet gear z=12
20.80	0.900.2049.2	1	sleeve Z = 31 Z = 41
20.90	0.900.1586.5	4	slewing ring S = 1.50
20.100	0.900.1234.9	1	cover
20.110	0.900.2207.5	4	roll pin
110	0.900.1377.4	2	disc Z = 46
120	0.900.1226.8	5	disc Z = 46
130	0.900.1377.2	6	disc Z = 41
140	0.900.0123.6	1	piston
150	0.900.0451.5	1	oil seal
160	0.900.0268.5	1	oil seal 69 x 3
170	0.900.0800.7	1	ring 55 x 2.5
180	0.900.0800.8	1	ring 70 x 3.0
190	0.900.1547.8	1	bevel ring gear z=56
200	0.010.3729.2	12	screw m 12 x 80
210	0.900.0277.9	12	washer
220	0.900.2058.7	2	shaft
240	0.010.2970.1	2	gasket
250	04428944	1	register
260	04428945	1	register
270	0.900.0278.7	2	ring
280	04417449	2	plate
290	0.900.2016.5	4	screw
300	04435703	2	pin 5 x 20

P.T.O. - POWER TAKE OFF - 2093 011 016

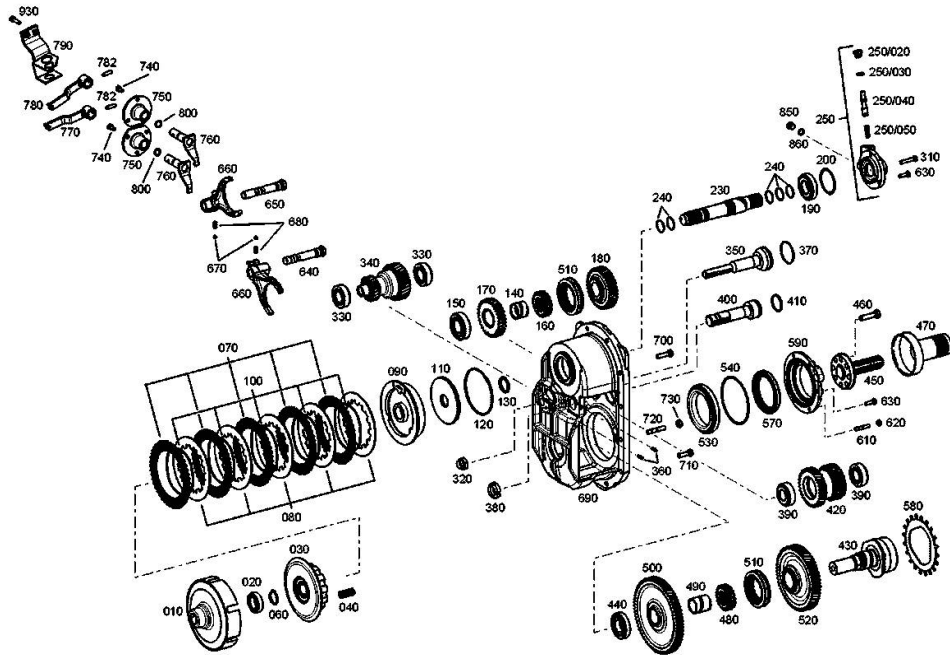


Fig.	P/n	QTY	Name
10	0.900.0124.5	1	clutch housing Z = 46
20	0.900.0469.0	1	ball bearing
30	0.900.2049.7	1	support Z = 16
40	0.900.0489.9	8	spring
60	0.900.0467.7	1	circlip 34x2.5
70	0.900.1377.3	5	disc Z = 46
80	0.900.1226.7	5	disc
90	0.900.2049.8	1	cylinder
100	0.900.1431.4	5	spring
110	0.900.0490.0	1	piston
120	0.900.0468.4	1	oil seal 120x3
130	0.900.0490.1	1	shim
140	04417639	1	special bushing
150	0.900.1385.1	1	bearing
160	04417641	1	support
170	0.900.2260.9	1	gear wheel
180	0.900.1432.4	1	gear wheel
190	0.900.1385.0	1	bearing
200	0.900.0294.8	1	washer
200	0.900.0294.9	1	washer s = 0.15
200	04417362	1	shim s = 0.40
230	0.900.2047.8	1	shaft Z = 16
240	0.900.0293.6	5	locking segment
250	0.900.2047.9	1	cover
250.20	0.900.2078.2	1	plug m16x1,5
250.30	04436331	1	oil seal 16 x 20
250.40	0.900.2049.9	1	piston
250.50	0.900.2045.9	1	spring
310	0.900.2246.8	1	screw m8x45
320	0.900.0124.8	1	ring nut
330	0.900.0293.9	2	roller bearing
340	0.900.2261.0	1	gear
350	04417652	1	pin
360	04433234	2	roll pin 6x20
370	0.900.0468.3	1	oil seal 57x2
380	04424372	1	ring nut
390	0.900.0293.9	2	roller bearing
400	04417656	1	pin
410	0.900.0468.6	1	oil seal 40x3
420	0.900.2261.1	1	gear wheel
430	0.900.0802.5	1	shaft Z = 18
440	0.900.1385.0	1	bearing
450	04417388	1	shaft
460	0.900.2017.2	8	screw

P.T.O. - POWER TAKE OFF - 2093 011 016

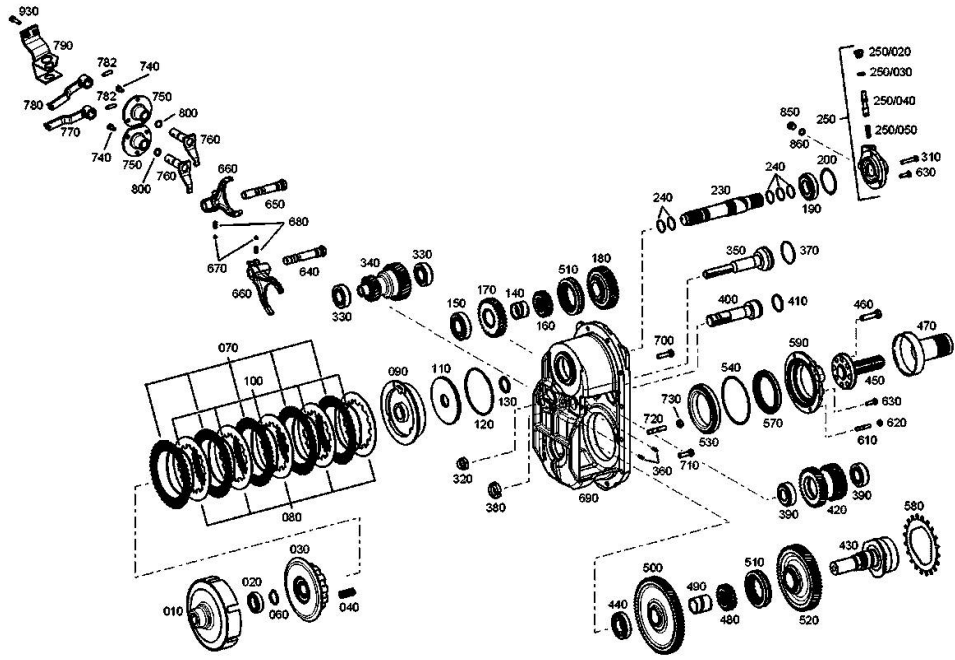
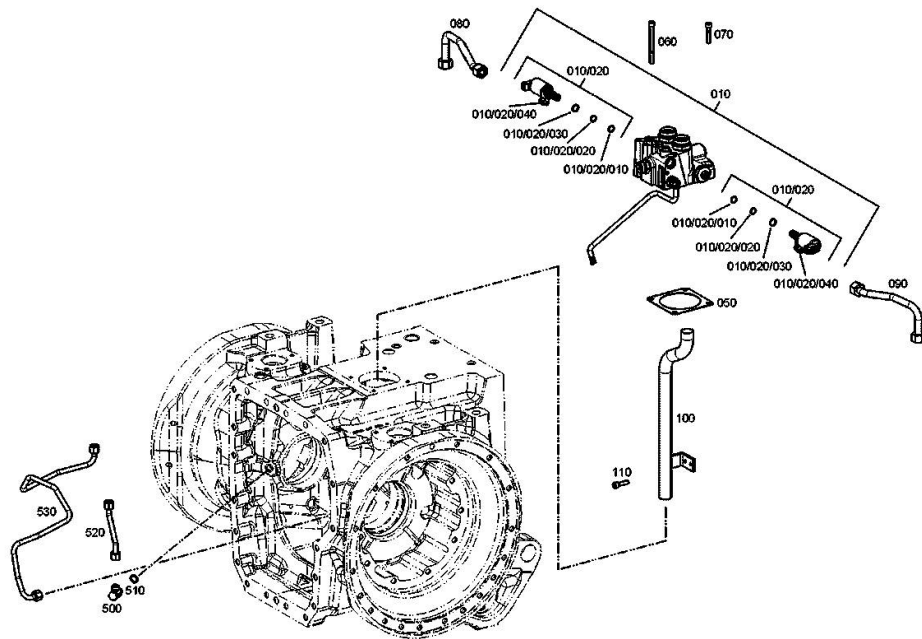


Fig.	P/n	QTY	Name
470	04417440	1	guard
480	04417641	1	support
490	04417681	1	special bushing
500	0.900.0884.4	1	gear z=66
510	04431727	2	sleeve
520	0.900.0877.3	1	gear z=56
530	0.900.0282.9	1	roller bearing
540	04417391	1	shim s = 0.10
540	04417392	1	shim s = 0.15
540	04417393	1	shim s = 0.40
570	0.900.2208.8	1	ring
580	0.900.1432.0	1	gear
590	04417438	1	cover
610	0.900.2016.4	4	grub screw
620	0.900.2017.3	4	nut
630	04434498	4	screw m 8 x 25
640	0.900.1432.6	1	rod
650	0.900.1432.7	1	rod
660	0.010.3848.1	2	fork
670	04415909	2	ball
680	04417378	2	spring
690	0.900.2049.6	1	box
700	0.900.2017.4	1	screw
710	0.900.2081.9	9	screw m10x35
720	0.900.2017.5	2	stud bolt
730	0.900.2017.6	2	nut
740	0.900.2016.5	6	screw
750	04417692	2	bearing
760	04417693	2	pin
770	0.900.0122.9	1	lever
780	04413418	1	lever
782	0.010.2894.1	2	pin 8 x 30
790	04439216	1	bracket
800	0.900.0278.8	2	oil seal
850	0.900.2018.2	1	plug
860	04423731	1	oil seal 14 x 18
930	04434546	2	screw m 8 x 30

OIL SUPPLY - 2093 011 016

Fig.	P/n	QTY	Name
10	0.900.0984.8	1	valve
10.20	0.900.0952.8	2	solenoid valve DV
10.20.10	0.900.1377.6	1	gasket 13 x 1.5
10.20.20	0.900.1377.5	1	gasket 12,4 x 1,78
10.20.30	0.900.1377.7	1	gasket 14x1.78
10.20.40	0.900.1377.8	1	screw m 8 x 16
50	0.900.0885.3	1	gasket
60	0.900.0882.4	2	screw m 8x95
70	0.900.0882.1	2	screw m 8 x 40
80	0.900.0954.0	1	gasket
90	0.900.0954.1	1	pipng
100	0.900.0883.3	1	tube
110	04434509	2	screw m 8 x 30
500	0.900.2261.2	1	pipe fitting
510	04423731	1	oil seal 14 x 18
520	0.010.2973.0	1	pipng
530	0.010.2899.2	1	tube



OIL SUPPLY - 2093 011 016

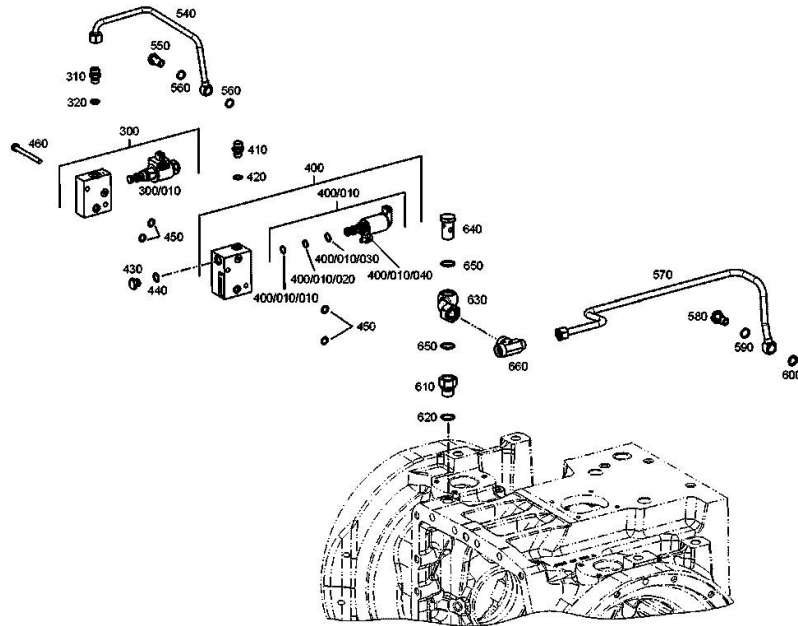
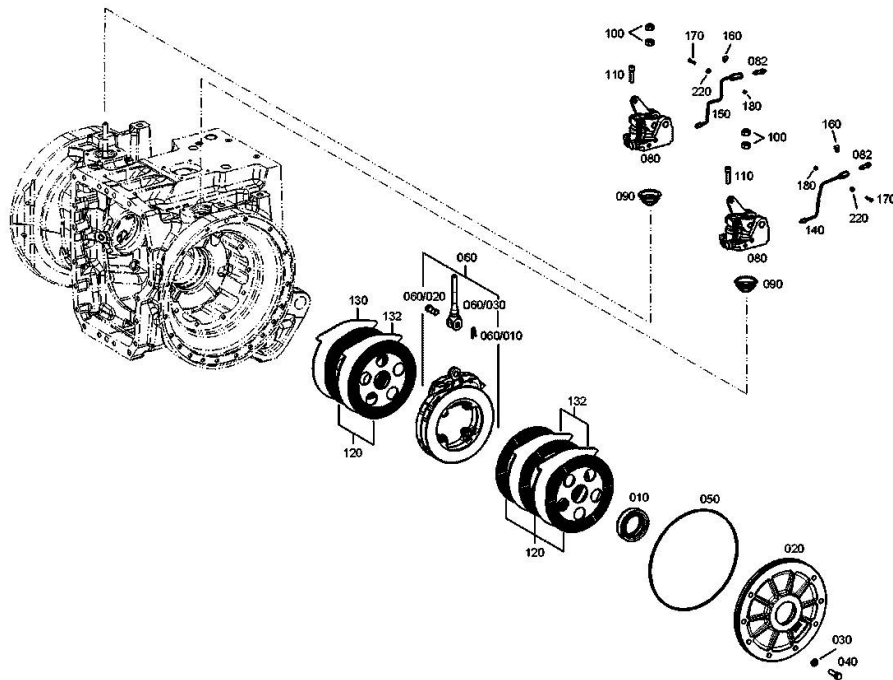


Fig.	P/n	QTY	Name
30.10	0.900.1384.6	1	solenoid valve
300	0.900.1363.3	1	small block
310	0.900.2209.1	1	pipe union
320	04423731	1	oil seal 14 x 18
400	0.900.0952.1	1	control
400.10	0.900.0952.8	1	solenoid valve DV
400.10.10	0.900.1377.6	1	gasket 13 x 1.5
400.10.20	0.900.1377.5	1	gasket 12,4 x 1,78
400.10.30	0.900.1377.7	1	gasket 14x1.78
400.10.40	0.900.1377.8	1	screw m 8 x 16
410	0.900.2209.1	1	pipe union
420	04423731	1	oil seal 14 x 18
430	0.900.2018.0	1	plug m 14 p.1.5
440	04423731	1	oil seal 14 x 18
450	0.900.0801.4	4	ring 11,3 x 2,4 NBR-70-10
460	0.900.1363.4	2	screw
540	0.900.1363.2	1	tube
550	0.900.2189.8	1	screw
560	04423731	2	oil seal 14 x 18
570	0.010.2894.2	1	pipng
580	04427560	1	pipe union
590	04436331	1	oil seal 16 x 20
600	0.010.2895.0	1	gasket 14x20
610	0.010.3826.2	1	pipe fitting
620	01118737	1	oil seal 22 x 27
630	0.010.3826.0	1	pipng
640	0.900.2260.5	1	screw
650	01118737	2	oil seal 22 x 27
660	0.900.2261.3	1	pipe fitting

REAR BRAKES - 2093 011 016

Fig.	P/n	QTY	Name
10	04417316	2	oil seal
20	0.900.1239.5	2	cover
30	0.900.0277.9	4	washer
40	0.900.2018.4	16	screw
50	04428220	2	oil seal 305x4
60	0.900.1583.9	2	transmission brake
60.10	04435741	1	split pin
60.20	04435740	1	pin
60.30	04428551	1	rod
80	0.900.2018.5	2	operation
82	0.900.2124.5	2	breather
90	0.900.0800.9	2	rubber bushing
100	0.900.2019.0	4	nut
110	0.900.0469.7	6	screw m 10 x 40
120	0.900.1584.6	10	disc
130	0.900.0801.3	2	disc
132	0.900.0946.6	6	thin plate
140	04428545	1	tube sx/lh/li
150	04428546	1	pipng dx/rh/re
160	0.900.0468.2	2	clamp 6x12
170	0.900.2247.1	2	screw M5X25
180	0.900.2181.3	2	nut
220	0.900.2181.4	2	nut



Buy Now



Our support email:

ebooklibonline@outlook.com