

Section: ENGINE
CRANKCASE

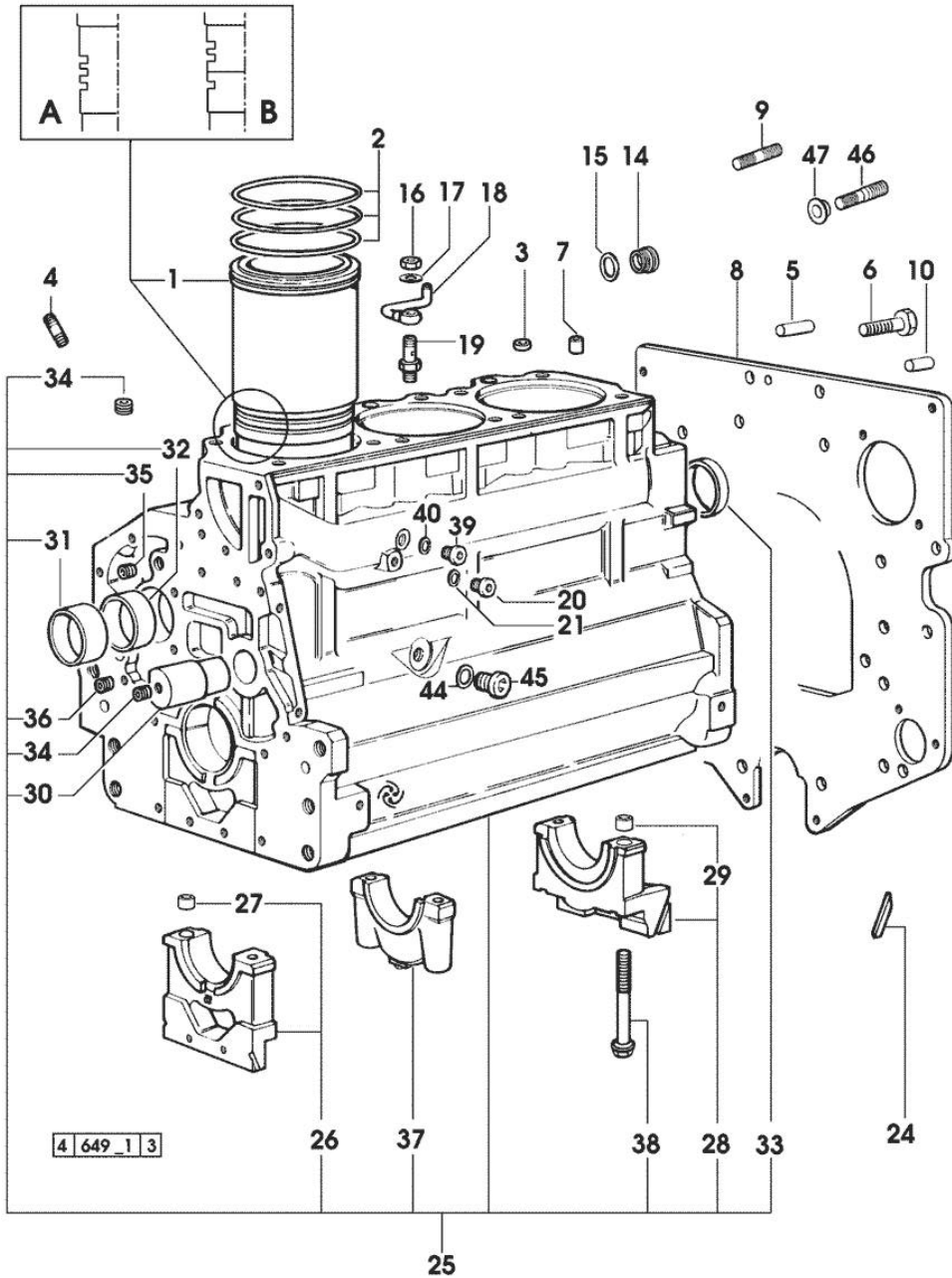


Fig.	P/n	QTY	Name
Notes: [SPRINT 664-60]			
1	0.009.7500.0/10	3	engine cylinder (...) <= A
1	0.011.0183.0/20	3	engine cylinder => 2772
1	0.011.0582.0	3	engine cylinder = B => (...) - 2771 <=
2	2.1519.096.0/20	9	special oil seal 107.67x1.78 2271 <=
2	2.1539.193.0	6	special oil seal 107.62x2.62 => 2772
3	2.1559.188.2	3	bush 11.4 x 14 x16
4	2.0432.003.7	9	stud bolt m 8 p.1.25 / p.1 x 20
5	2.1651.917.0	1	cylindrical plug 12x40
6	2.0112.511.1	8	screw m 14 p.2 x 30
7	2.1549.154.2	3	bush 4.8x5.8x16
8	0.007.7752.0/10	1	flange
9	2.0432.257.7	1	stud bolt m 12 p.1.75 - 1.25 x 30
10	2.1651.912.0	2	cylindrical plug 12x28
14	2.3199.405.2	1	plug m 28 p.1.5
15	2.1539.047.0	1	special oil seal 26.7x1.78
16	2.1099.108.2	3	special nut m 10 p.1
17	2.1560.006.0	6	gasket 10.2 x 16
18	0.086.1550.2	3	sprayer nozzle
19	0.065.1160.3/20	3	valve
20	2.3199.292.0	1	plug 1/4" gas
21	2.1560.010.0	1	gasket 14.2 x 20
24	0.066.1152.0/10	4	gasket
25	0.070.1110.6/20	1	crankcase * 2771 <=
			- N.3 011.0183.0/10 - N.6 2.1539.193.0
26	0.065.1112.7	1	support
27	2.1699.165.0	1	bush 12.3x15x16
28	0.065.1116.3	1	support
29	2.1699.165.0	1	bush 12.3x15x16
30	0.066.1151.0	1	pin
31	0.065.1141.0	1	special bushing 59X55X30
32	0.065.1140.0	3	special bushing 59X55X20
33	2.3179.012.0	1	plug 60
34	2.3130.001.1	9	plug 1/8" gas
35	2.3130.002.1	2	plug 1/4" gas

Section: ENGINE
CRANKCASE

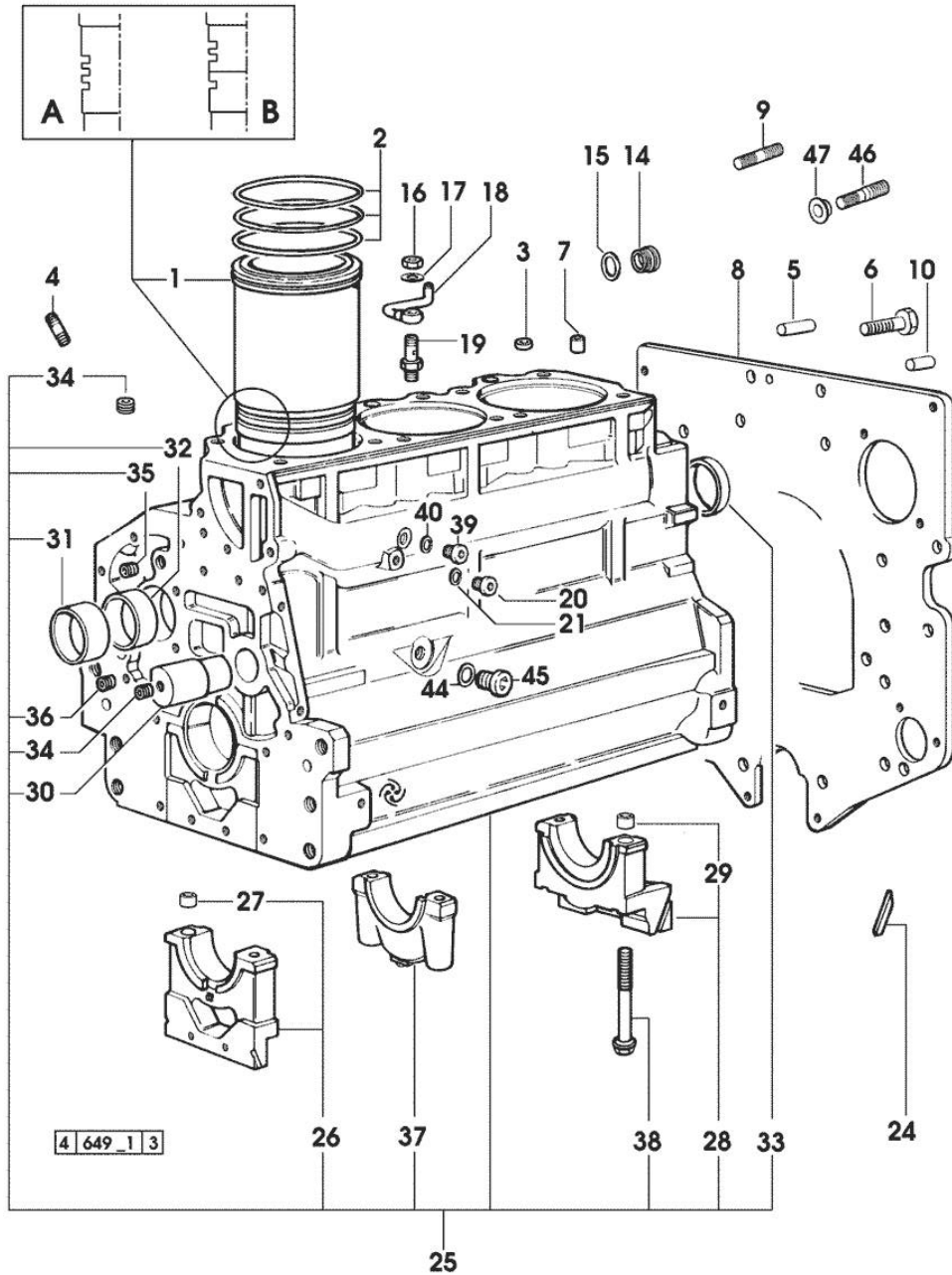


Fig.	P/n	QTY	Name
36	2.3130.003.1	2	plug 3/8" gas
37	0.065.1114.0/10	2	support
38	0.065.1117.0	8	screw m 12 x 100
39	2.3120.101.0	1	plug m 18 p.1.5 => 2772
40	2.1560.014.0	1	washer 18.2 x 24
44	2.1560.017.0	1	gasket 22.2 x 27
45	2.3120.002.4	1	plug m 22 x 1.5
46	2.0439.250.7	1	stud bolt m 12 / m 10 x 30
47	0.011.9294.0/10	1	bush

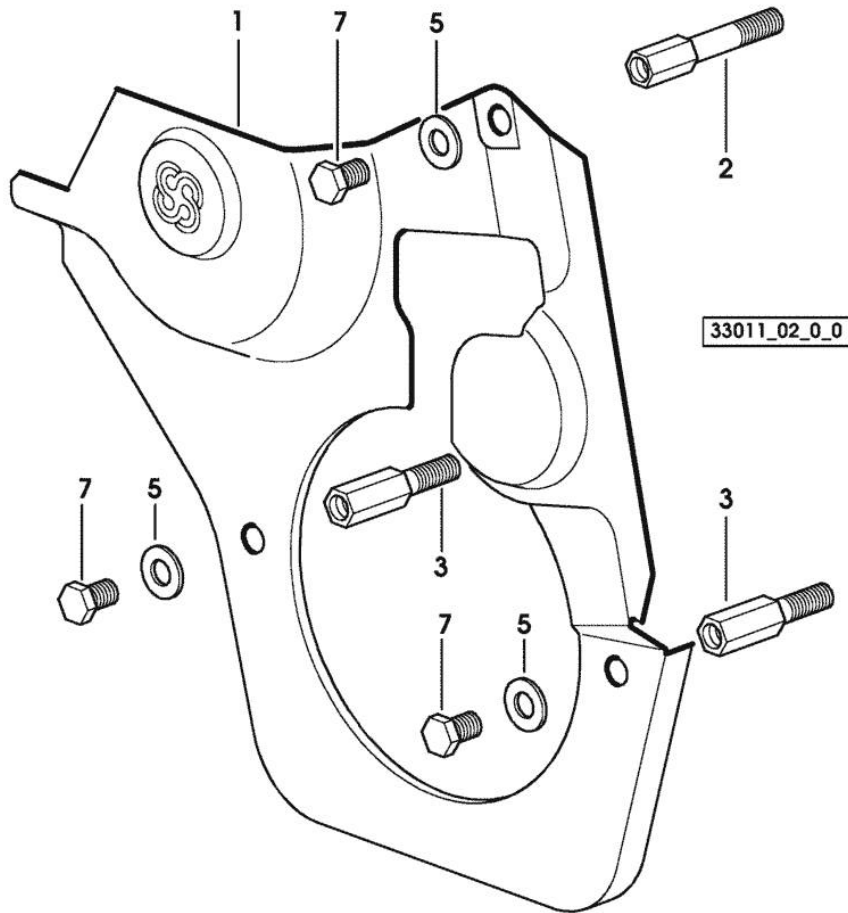
TIMING CASE

Fig.	P/n	QTY	Name
------	-----	-----	------

Notes:

[SPRINT 664-60]

1	0.007.1262.3/50	1	guard
2	0.007.1271.0/10	1	small column m 8 p.1.25 / L = mm 60
3	0.007.1272.0/10	2	small column m 8 p.1.25 / L = mm 50
5	2.1310.004.2	3	flat washer 8.4x17
7	2.0112.205.2	3	screw m 8 p.1.25 x 16



Section: ENGINE

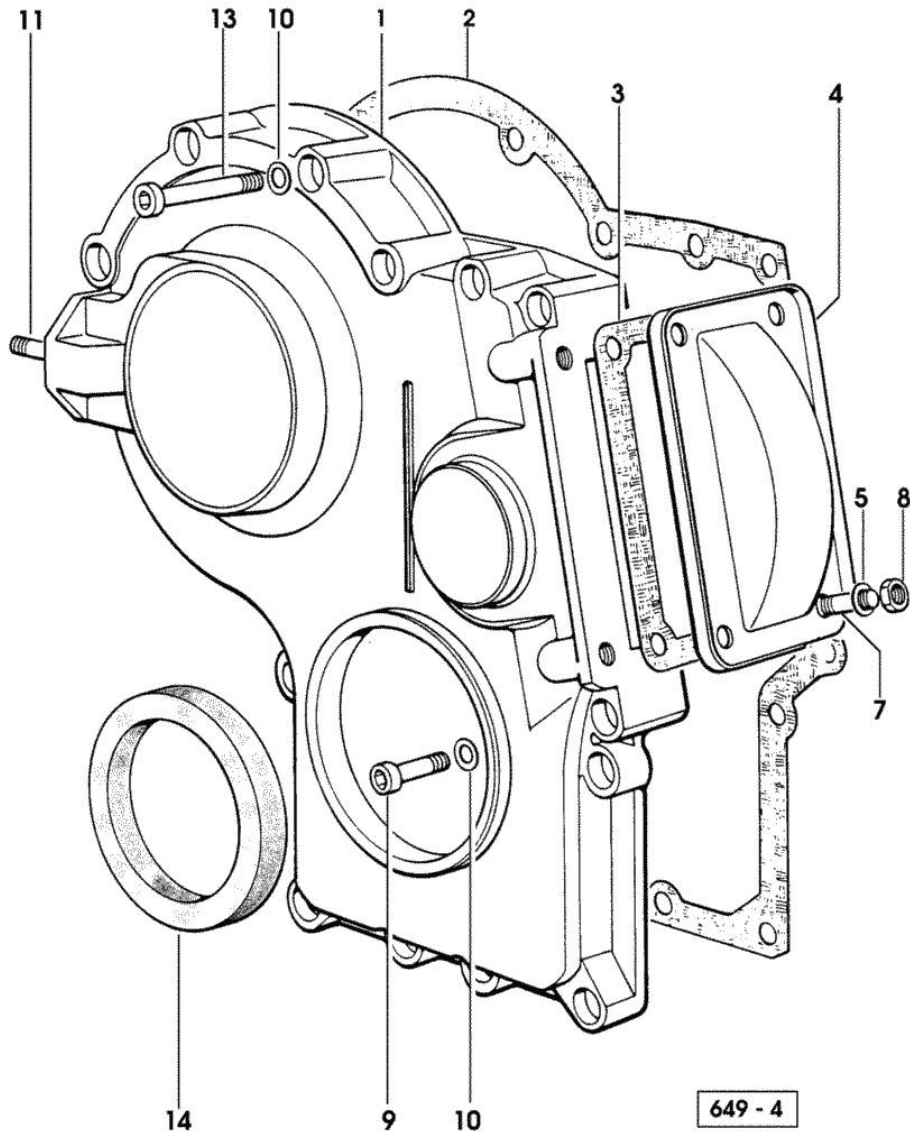
TIMING CASE

Fig.	P/n	QTY	Name
------	-----	-----	------

Notes:

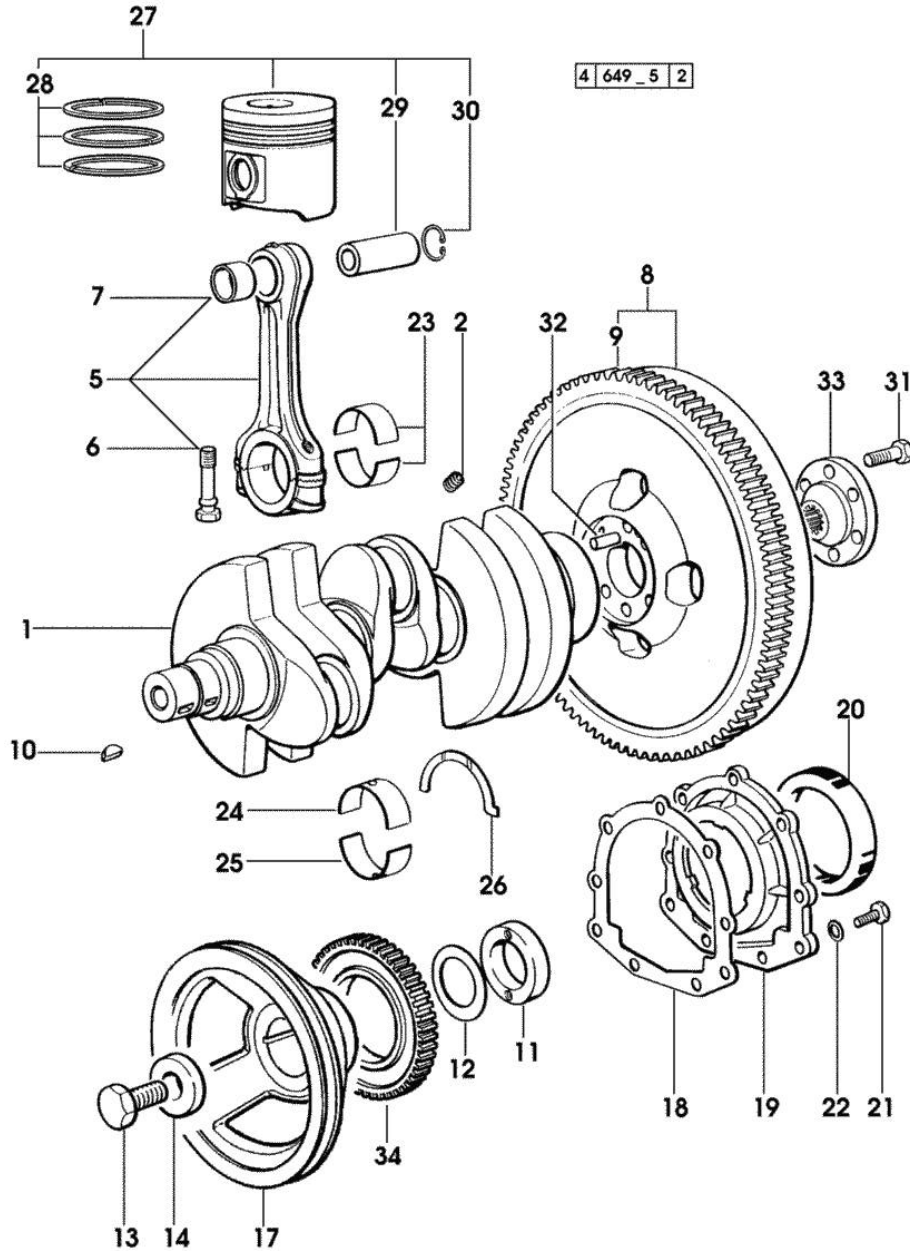
[SPRINT 664-60]

1	0.065.1132.0/60	1	guard
2	0.065.1150.0/30	1	gasket
3	0.065.1152.0	1	gasket
4	0.065.1151.0	1	cover
5	2.1310.004.2	4	flat washer 8.4x17
7	2.0432.005.7	4	stud bolt m 8 p.1.5 / p.1 x 25
8	2.1011.405.2	4	nut m 8 p.1
9	2.0312.208.2	8	screw m 8 p.1.25 x 25
10	2.1480.014.1	15	washer 8
11	2.0432.003.7	2	stud bolt m 8 p.1.25 / p.1 x 20
13	2.0312.214.1	3	screw m 8 p.1.25 x 40
14	2.1529.141.0	1	special oil seal



Section: ENGINE

CRANKSHAFT



4 649_5 2

Fig.	P/n	QTY	Name
------	-----	-----	------

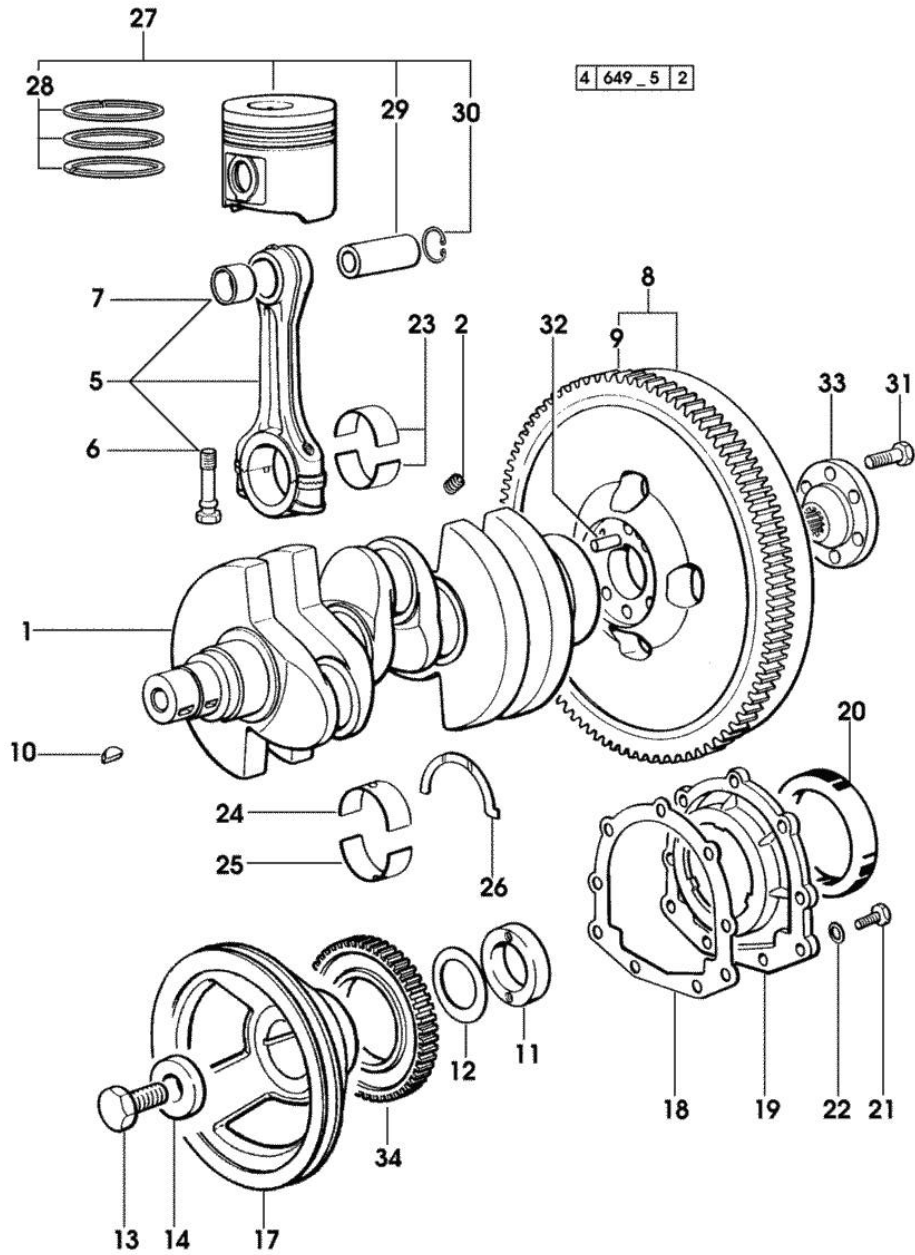
Notes:
[SPRINT 664-60]

1	0.007.1554.0/20	1	crankshaft
2	2.3130.001.1	3	plug 1/8" gas
5	0.078.1220.3/30	3	engine connecting rod
6	2.0399.213.0	6	screw m 12 p.1.25x61.5
7	2.1559.114.0/10	3	special bushing
8	0.007.1883.3/10	1	flywheel
8	0.011.2162.3	1	flywheel - EXPORT U.S.A.
9	0.069.1242.0	1	crown wheel Z = 121
10	2.1720.006.0	3	key 4x6.5
11	0.085.1248.0/10	1	hub
12	2.1589.189.0	3	shoulder ring mm 1.00
13	2.0399.144.7/10	1	screw m 20 p.1.5x51
14	2.1599.524.7	1	washer 21x60x12
17	0.007.1457.0/20	1	pulley - FOR TRACTORS WITHOUT AIR CONDITIONING
18	0.065.1254.0/20	1	gasket
19	0.007.1711.0/10	1	cover
20	2.1529.073.0	1	special oil seal 110x130x13
21	2.0112.207.2	9	screw m 8 p 1.25 x 20
22	2.1475.002.2	9	conical washer 8
23	0.065.1225.0	6	con.rod half bushing STANDARD - A = 28.75 -> 29.00
23	0.065.1225.7		con.rod half bushing - mm 0.25
23	0.065.1225.8		con.rod half bushing - mm 0.50
24	0.065.1215.0	4	main half bushing STANDARD
24	0.065.1215.7		main half bushing - mm 0.25
24	0.065.1215.8		main half bushing - mm 0.50
25	0.065.1216.0	4	main half bushing
25	0.065.1216.7		main half bushing - mm 0.25
25	0.065.1216.8		main half bushing - mm 0.50
26	0.065.1218.0	4	shim STANDARD
26	0.065.1218.7		shim + mm 0.10
26	0.065.1218.8		shim + mm 0.15
27	0.086.0060.6/30	3	complete piston
27	0.379.0060.6	3	complete piston - EXPORT U.S.A.
28	0.086.0052.6/10	3	piston ring set
29	0.078.1236.0	3	piston pin Ø 18 / Ø 35 / L = mm 86
30	2.1411.014.1	6	circlip 35
31	2.0139.022.2	6	screw m 12 p.1.25x55
32	2.1652.915.0	1	cylindrical plug 12x35

CRANKSHAFT

Fig.	P/n	QTY	Name
------	-----	-----	------

33	0.255.2525.0/10	1	flange
34	0.011.3531.0	1	gear Z = 48



Section: ENGINE

ENGINE SHAFT - PULLEYS

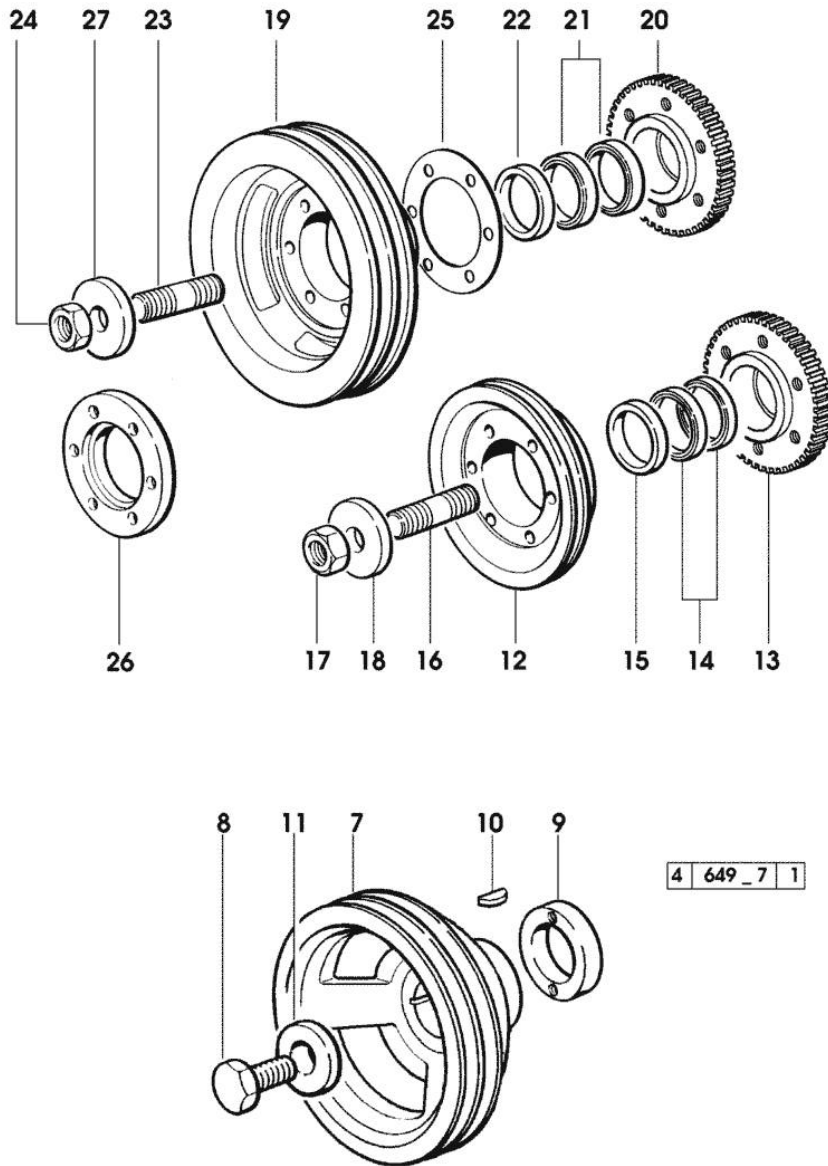


Fig.	P/n	QTY	Name
------	-----	-----	------

Notes:
[SPRINT 664-60]

7	0.007.1458.0/30	1	pulley - FOR TRACTORS WITH AIR CONDITIONING
8	2.0399.144.7/10	1	screw m 20 p.1.5x51
9	0.085.1248.0/10	1	hub
10	2.1720.006.0	1	key 4x6.5
11	2.1599.524.7	1	washer 21x60x12
12	0.082.1244.0/10	1	pulley - FOR TRACTORS WITHOUT AIR CONDITIONING
13	0.011.3515.0/10	1	hub Z = 48
14	0.065.1256.0	2	ring 45x52
15	2.1579.865.0	4	spacer 45.2x51.8x10
16	2.0439.195.7	1	stud bolt m 20 p.1.5x80
17	2.1019.094.7	1	nut m 20 p.1.5
18	2.1599.524.7	1	washer 21x60x12
19	0.010.4274.0	1	pulley - FOR TRACTORS WITH AIR CONDITIONING
20	0.011.3515.0/10	1	hub Z = 48
21	0.065.1256.0	2	ring 45x52
22	2.1579.865.0	1	spacer 45.2x51.8x10
23	2.0439.195.7	1	stud bolt m 20 p.1.5x80
24	2.1019.094.7	1	nut m 20 p.1.5
25	2.1589.137.0	3	shoulder ring 71x110x1
26	0.089.1253.0/10	1	spacer
27	2.1599.524.7	1	washer 21x60x12

Buy Now



Our support email:

ebooklibonline@outlook.com