



Service Manual

Chassis & Mast

GC35K	AT87-00001-up AT87A-00001-10230 AT87A-10231-up	GC55K	AT88-00001-up AT88A-00001-10230 AT88A-10231-up
GC40K	AT87-00001-up AT87A-00001-10230 AT87A-10231-up	GC55K STR	AT88-00001-up AT88A-00001-10230 AT88A-10231-up
GC40K STR	AT87-00001-up AT87A-00001-10230 AT87A-10231-up	GC60K	AT89-00001-up AT89A-00001-10230 AT89A-10231-up
GC45K SWB	AT87-00001-up AT87A-00001-10230 AT87A-10231-up	GC70K	AT89-00001-up AT89A-00001-10230 AT89A-10231-up
GC45K	AT88-00001-up AT88A-00001-10230 AT88A-10231-up	GC70K STR	AT89-00001-up AT89A-00001-10230 AT89A-10231-up

FOREWORD

This service manual is a guide to servicing of Cat Lift Trucks for 3.5 thru 7.0 ton models. The instructions are grouped by systems to serve the convenience of your ready reference.

Long productive life of your lift trucks depends to a great extent on correct servicing — the servicing consistent with what you will learn from this service manual. We hope you read the respective sections of this manual carefully and know all the components you will work on before attempting to start a test, repair or rebuild job.

The descriptions, illustrations and specifications contained in this manual were of the trucks of serial numbers in effect at the time it was approved for printing. Cat Lift Trucks reserves the right to change specifications or design without notice and without incurring obligation.

The GM4.3 Liter engine's fuel system was changed to comply with the EPA guidelines in 2004 and again at the beginning of 2007. This manual has minimal information on the fuel systems. Please see the Fuel System Supplement for information regarding the Multi Port Fuel Injection System (MPFI). Also see the engine service manual for general engine repair or rebuild. For the items pertaining to the engine, refer to the following service manuals:

- GM4.3L (G6) Engine Service Manual
- GM4.3L 2004~2006 Fuel System Supplement
- GM4.3L 2007~2009 Fuel System Supplement

SAFETY RELATED SIGNS

The following safety related signs are used in this service manual to emphasize important and critical instructions:



WARNING

Indicates a specific potential hazard resulting in serious bodily injury or death.



CAUTION

Indicates a specific potential hazard resulting in bodily injury, or damage to, or destruction of the machine.



NOTE

Indicates a condition that can cause damage to, or shorten service life of the machine.

WARNING

SAFETY

WARNING

The proper and safe lubrication and maintenance for this lift truck, recommended by Cat Lift Trucks, are outlined in the OPERATION & MAINTENANCE MANUAL for these trucks.

Improper performance of lubrication or maintenance procedures is dangerous and could result in injury or death. Read and understand the OPERATION & MAINTENANCE MANUAL before performing any lubrication or maintenance.

The serviceman or mechanic may be unfamiliar with many of the systems on this truck. This makes it important to use caution when performing service work. A knowledge of the system and/or components is important before the removal or disassembly of any component.

Because of the size of some of the truck components, the serviceman or mechanic should check the weights noted in this Manual. Use proper lifting procedures when removing any components.

Following is a list of basic precautions that should always be observed.

1. Read and understand all warning plates and decals on the truck before operating, lubricating or repairing the product.
2. Always wear protective glasses and protective shoes when working around trucks. In particular, wear protective glasses when pounding on any part of the truck or its attachments with a hammer or sledge. Use welders gloves, hood/goggles, apron and other protective clothing appropriate to the welding job being performed. Do not wear loose-fitting or torn clothing. Remove all rings from fingers when working on machinery.
3. Do not work on any truck that is supported only by lift jacks or a hoist. Always use blocks or jack stands to support the truck before performing any disassembly.

WARNING

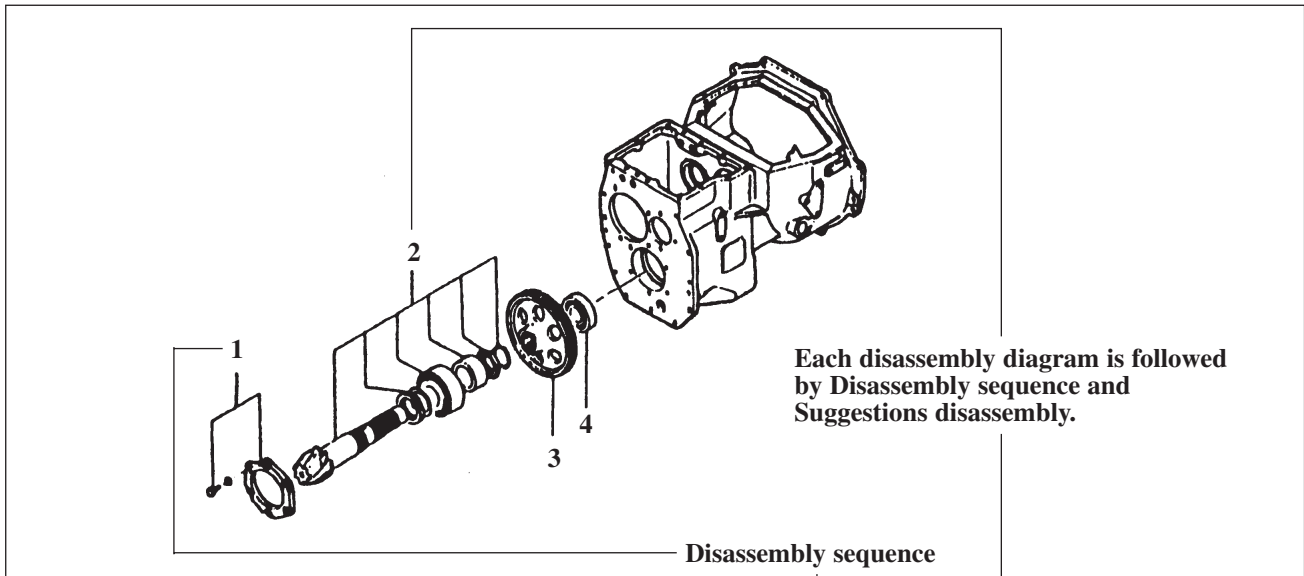
Do not operate this truck unless you have read and understood the instructions in the OPERATION & MAINTENANCE MANUAL. Improper truck operation is dangerous and could result in injury or death.

4. Lower the forks or other implements to the ground before performing any work on the truck. If this cannot be done, make sure the forks or other implements are blocked correctly to prevent them from dropping unexpectedly.
5. Use steps and grab handles (if applicable) when mounting or dismounting a truck. Clean any mud or debris from steps, walkways or work platforms before using. Always face truck when using steps, ladders and walkways. When it is not possible to use the designed access system, provide ladders, scaffolds, or work platforms to perform safe repair operations.
6. To avoid back injury, use a hoist when lifting components which weighs 23 kg (50 lb.) or more. Make sure all chains, hooks, slings, etc., are in good condition and are of the correct capacity. Be sure hooks are positioned correctly. Lifting eyes are not to be side loaded during a lifting operation.
7. To avoid burns, be alert for hot parts on trucks which have just been stopped and hot fluids in lines, tubes and compartments.
8. Be careful when removing cover plates. Gradually back off the last two bolts or nuts located at opposite ends of the cover or device and pry cover loose to relieve any spring or other pressure, before removing the last two bolts or nuts completely.
9. Be careful when removing filler caps, breathers and plugs on the truck. Hold a rag over the cap or plug to prevent being sprayed or splashed by liquid under pressure. The danger is even greater if the truck has just been stopped because fluids can be hot.

10. Always use tools that are in good condition and be sure you understand how to use them before performing any service work.
11. Reinstall all fasteners with same part number. Do not use lesser quality fastener if replacements are necessary. Do not mix metric fastener with standard nuts and bolts.
12. If possible, make all repairs with the truck parked on a level, hard surface. Block truck so it does not roll while working on or under truck.
13. Disconnect battery and discharge any capacitors (electric trucks) before starting to work on truck. Hang "Do not Operate" tag in the Operator's Compartment.
14. Repairs, which require welding, should be performed only with the benefit of the appropriate reference information and by personnel adequately trained and knowledgeable in welding procedures. Determine type of metal being welded and select correct welding procedure and electrodes, rods or wire to provide a weld metal strength equivalent at least to that of parent metal.
15. Do not damage wiring during removal operation. Reinstall the wiring so it is not damaged nor it will be damaged in operation by contacting sharp corners, or by rubbing against some object or hot surface. Do not connect wiring to a line containing fluid.
16. Be sure all protective devices including guards and shields are properly installed and functioning correctly before starting a repair. If a guard or shield must be removed to perform the repair work, use extra caution.
17. Always support the mast and carriage to keep carriage or attachments raised when maintenance or repair work is performed, which requires the mast in the raised position.
18. Loose or damaged fuel, lubricant and hydraulic lines, tubes and hoses can cause fires. Do not bend or strike high pressure lines or install ones which have been bent or damaged. Inspect lines, tubes and hoses carefully. Do not check for leaks with your hands. Pin hole (very small) leaks can result in a high velocity oil stream that will be invisible close to the hose. This oil can penetrate the skin and cause personal injury. Use cardboard or paper to locate pin hole leaks.
19. Tighten connections to the correct torque. Make sure that all heat shields, clamps and guards are installed correctly to avoid excessive heat, vibrations or rubbing against other parts during operation. Shields that protect against oil spray onto hot exhaust components in event of a line, tube or seal failure, must be installed correctly.
20. Relieve all pressure in air, oil or water systems before any lines, fittings or related items are disconnected or removed. Always make sure all raised components are blocked correctly and be alert for possible pressure when disconnecting any device from a system that utilizes pressure.
21. Do not operate a truck if any rotating part is damaged or contacts any other part during operation. Any high speed rotating component that has been damaged or altered should be checked for balance before reusing.

HOW TO READ THIS MANUAL

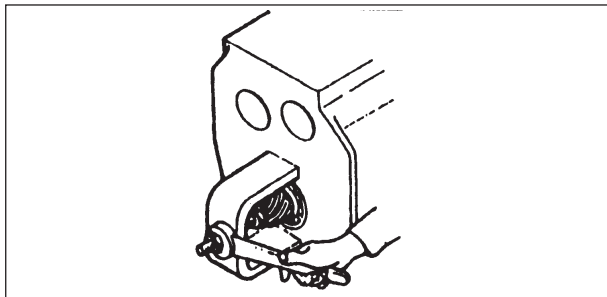
Disassembly diagram (example)



- 1 Cover, Bolt, Washer (part name)
- 2 Output shaft (part name)

Suggestion for disassembly

(1) Output shaft removal



Unit: mm (in.)

Clearance between cylinder and piston	A	0.020 to 0.105 (0.00079 to 0.00413)
	B	0.15 (0.0059)

A: Assembly standard
B: Repair or service limit

Symbols or abbreviations

- OP.....Option
- R1/4Taper pipe thread (external) 1/4 inch (formerly PT1/4)
- Rc1/8Taper pipe thread (internal) 1/8 inch (formerly PT1/8)
- G1/4A.....Straight pipe thread (external) 1/4 inch (formerly PF1/4-A)
- Rp1/8Straight pipe thread (internal) 1/8 inch (formerly PS1/8)

GROUP INDEX

Group	Items
GENERAL INFORMATION	Serial number locations, Dimensions, Technical data
COOLING SYSTEM	Fan Belt Removal, Fan Belt Inspection, Fan Belt Inspection
ELECTRICAL SYSTEM	Console box, Combination Meter, Lamp bulb specifications, Electrical system schematic
POWER TRAIN	Engine and Transmission
POWERSHIFT TRANSMISSION	Transmission, Control valve
FRONT AXLE	Front wheels, Front axle, Reduction differential
REAR AXLE	Rear axle, Rear wheels
BRAKE SYSTEM	Caliper, Brake pedal, Master cylinder
STEERING SYSTEM	Steering control valve
HYDRAULIC SYSTEM	Tank, Pump, Control valve, Lift and tilt cylinders, Flow regulator valve, Down safety valve
MASTS AND FORKS	Simplex Mast, Duplex Mast, Triplex Mast
SERVICE DATA	Inspection standards, Periodic replacement of parts, Lubrication standards, Main component weight, Tightening torque for standard bolts and nuts, Special tools

1

2

3

4

5

6

7

8

9

10

11

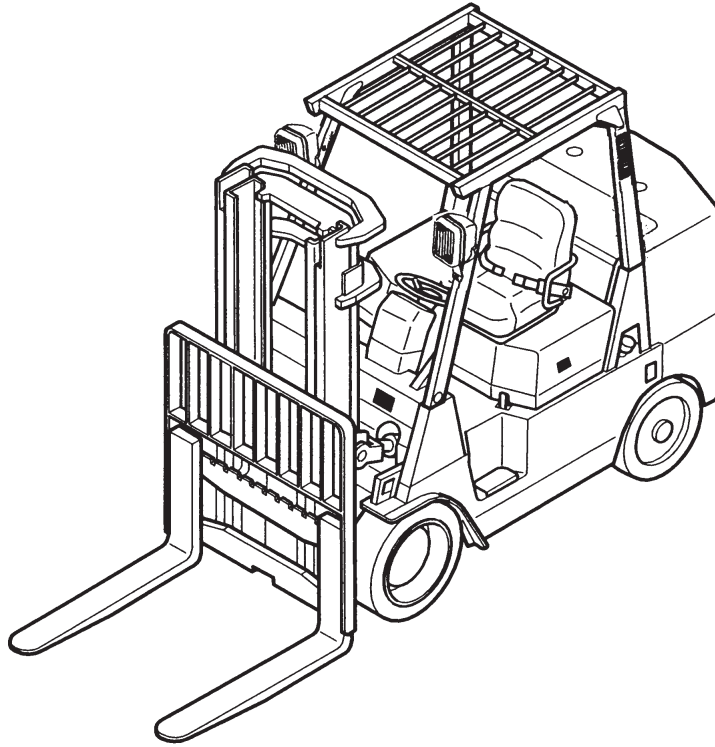
12

GENERAL INFORMATION

Vehicle Exterior	1 - 1
Models	1 - 1
Serial Number Locations	1 - 2
Dimensions.....	1 - 5
Technical Data	1 - 6

Vehicle Exterior

- This Service Manual deals with all components or systems of the Cat Lift Trucks; except for the engine and attachment, which are covered in the respective manuals.



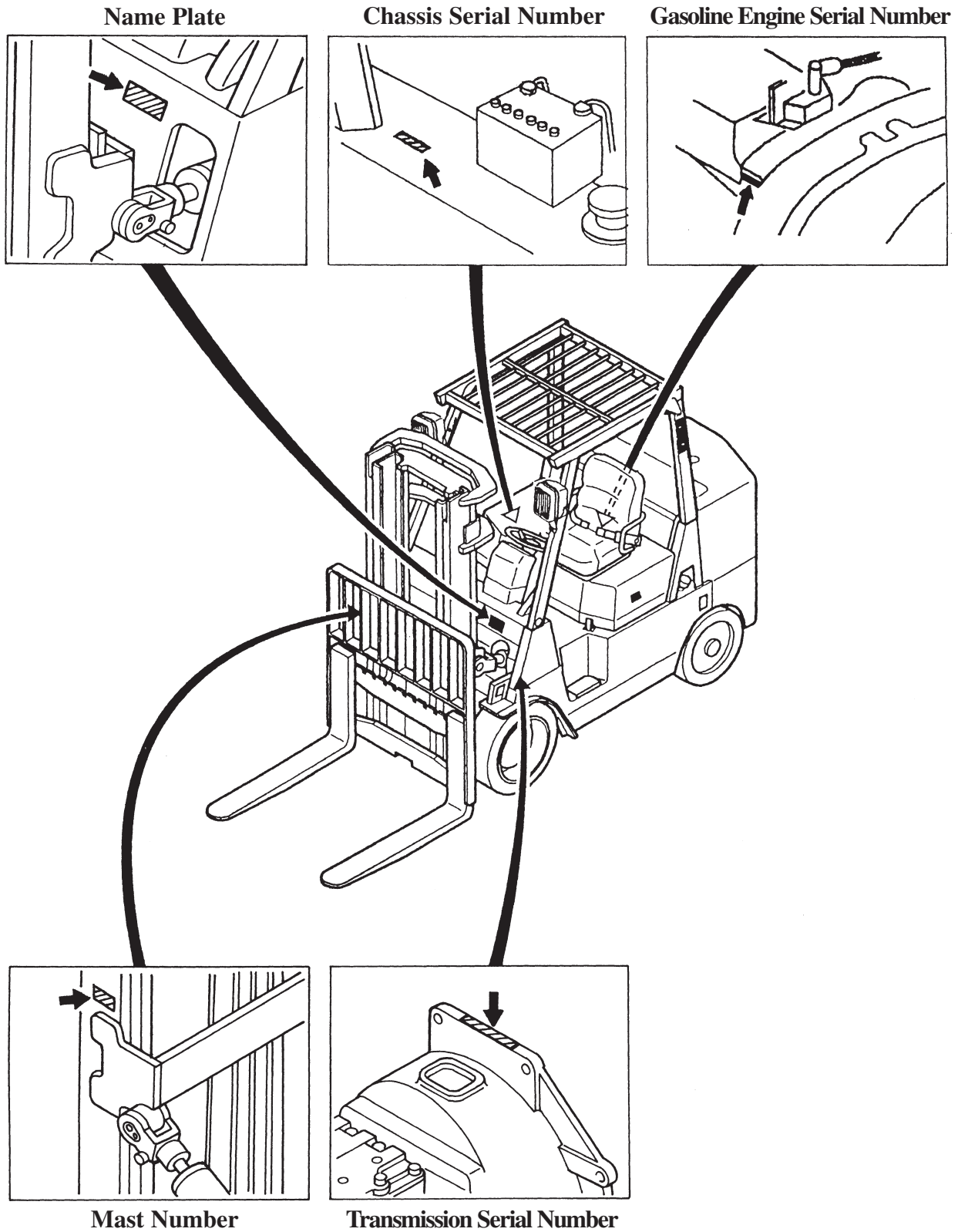
102530A

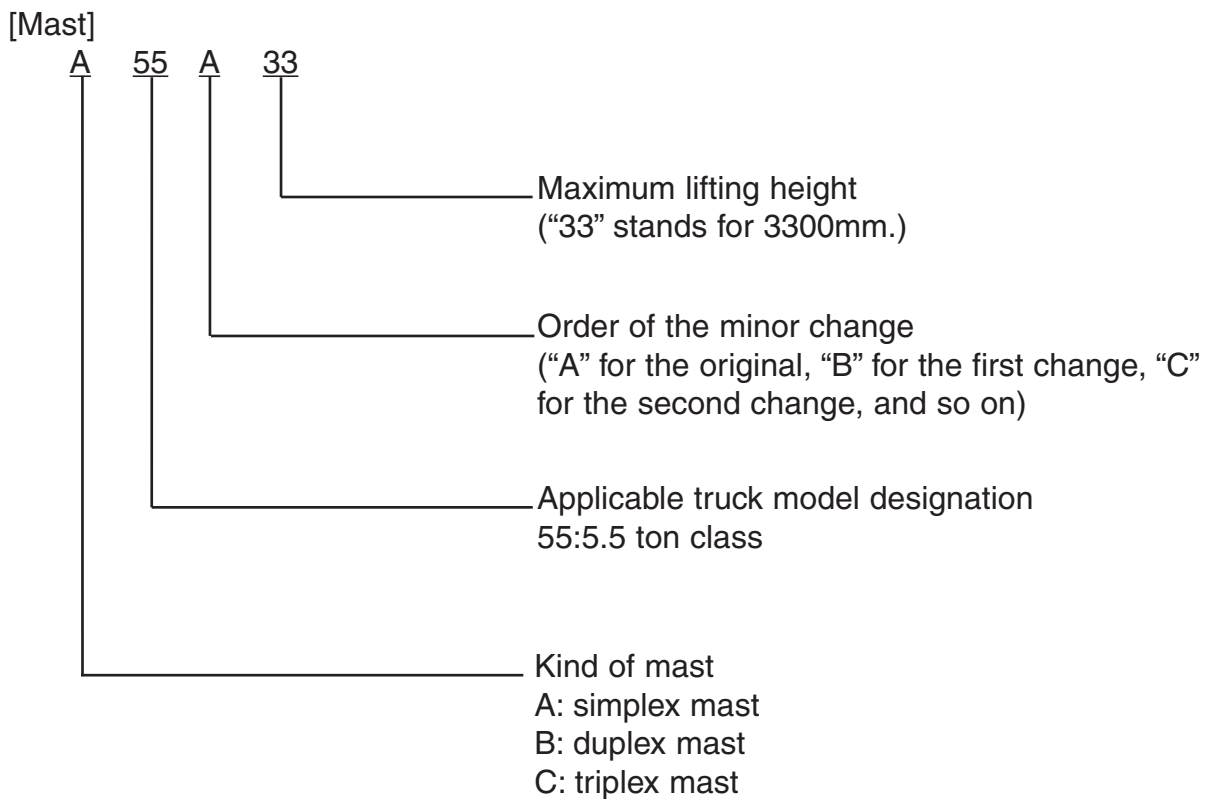
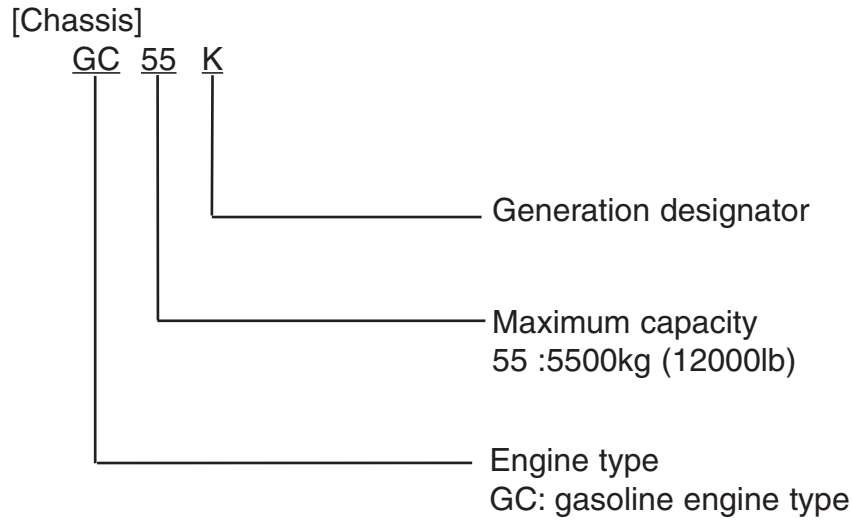
Models

This manual applies to the following vehicle models (names).

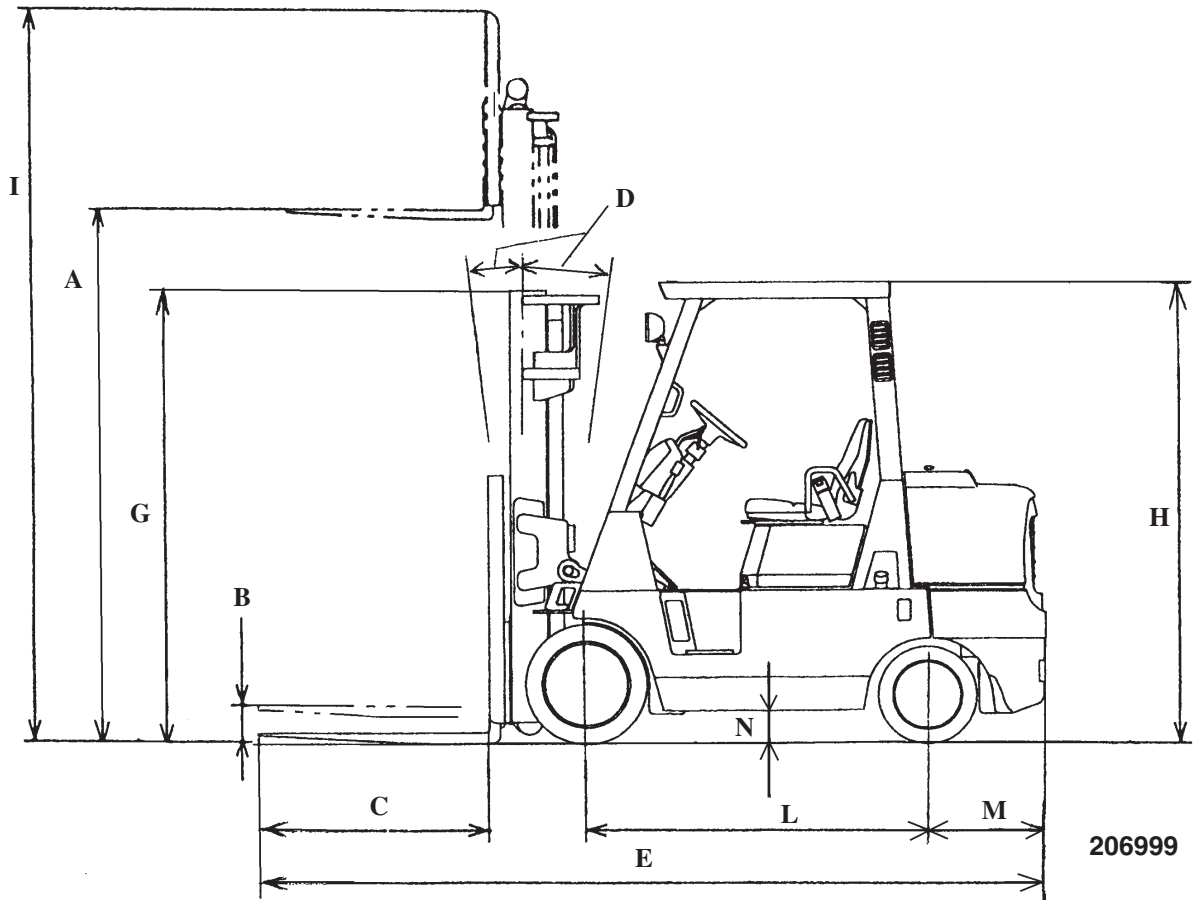
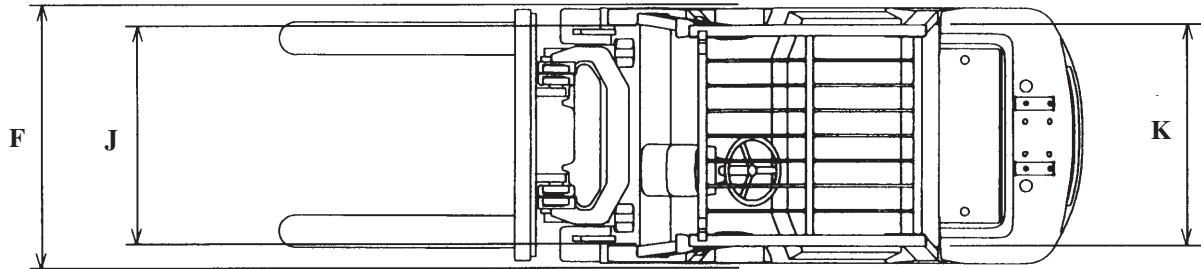
Truck Models	Transmission	Serial number	Engine mounted
GC35K	1-Speed	AT87-00001-up AT87A-00001~10230 AT87A-10231-up	GM4.3L Gasoline Engine
GC40K			
GC40K STR			
GC45K SWB		AT88-00001-up AT88A-00001~10230 AT88A-10231-up	
GC45K			
GC55K			
GC55K STR		Automatic 2-Speed	
GC60K			
GC70K			
GC70K STR			

Serial Number Locations





Dimensions



GENERAL INFORMATION

Technical Data

Unit: mm (in.)

Ref. No.	Truck Models		GC35K	GC40K	GC40K STR	GC45K SWB
	Items					
A	Maximum lift	Simplex mast	3050 (120)			2900 (114)
B	Free lift (Floor to forktop)	Simplex mast	150 (5.9)			160 (6.3)
		Duplex mast	920 (36.2) 3.0 m (118 in.) mast			895 (35.2) 2.8 m (112 in.) mast
		Triplex mast	800 (31.5) 4.0 m (157 in.) mast			920 (36.2) 4.3 m (169 in.) mast
C	Fork length		1220 (48)			
D	Tilt angle (forward – backward) deg.		5/10 Simplex, Duplex mast 6/5 Triplex mast			
E	Overall length (OLH)		2510 (98.5)	2550 (100)	2360 (93)	2620 (103)
F	Overall width (outside)	Standard	1180 (46.5)			
		Wide tread (option)	1270 (50.0)			
G	Overall height (to top of mast lowered)		2155 (85.0)			
H	Overall height (to top of overhead guard)		2155 (85.0)			
I	Overall height (mast extended)	Simplex mast	4250 (167)			4125 (162)
		Duplex mast	4250 (167) 3.0 m (118 in.) mast			4080 (160.6) 2.8 m (112 in.) mast
		Triplex mast	5250 (206.7) 4.0 m (157 in.) mast			5560 (218.9) 4.3 m (169 in.) mast
J	Tread (front)	Standard	940 (37.0)			
		Wide tread (option)	1040 (41.0)			
K	Tread (rear)		980 (38.5)			
L	Wheelbase		1575 (62.0)			
M	Rear overhang		485 (18.8)	525 (20.3)	335 (13.3)	565 (22.1)
N	Underclearance (at frame)		150 (5.9)			

GENERAL INFORMATION

Unit: mm (in.)

GC45K	GC55K	GC55K STR	GC60K	GC70K	GC70K STR
2900 (114)			2350 (93)		
160 (6.3)			165 (6.5)		
895 (35.2) 2.8 m (112 in.) mast			—————		
895 (35.2) 4.0 m (157 in.) mast			900 (35.4) 3.5 m (138 in.) mast		
1220 (48)					
5/10 Simplex, Duplex mast 6/5 Triplex mast			6/10 Simplex mast 6/5 Triplex mast		
2730 (107)	2910 (115)	2640 (104)	2950 (116)		2730 (107)
1320 (52.0)			1440 (56.5)		
1420 (56.0)			—————		
2155 (85.0)			2205 (87.0)		
2155 (85.0)			2205 (87.0)		
4125 (162)			3585 (141)		
4080 (160.6) 2.8 m (112 in.) mast			—————		
5560 (218.9) 4.0 m (157 in.) mast			4785 (188.3) 3.5 m (138 in.) mast		
1015 (40.0)			1130 (44.5)		
1120 (44)			—————		
965 (38.0)			1160 (45.5)		
1780 (70.0)			1830 (72.0)		
470 (18.1)	650 (26.1)	380 (15.1)	590 (23.1)		340 (13.1)
150 (5.9)			200 (7.9)		

GENERAL INFORMATION

Technical Data

Truck Models				GC35K	GC40K	GC40K STR	GC45K SWB	
Work performance	Capacity/load center		kg/mm (lb/in.)	3500/500 (7000/24)	4000/500 (8000/24)		4500/600 (10000/24)	
	Maximum lift height Simplex		mm (in.)	3050 (120)			2900 (114)	
	Lift speed (loaded)		mm/sec. (fpm)	540 (105)			390 (78.0)	
	Lowering speed (loaded)			550 (108)			440 (86.5)	
	Mast tilt (forward-backward)		degree	5/10				
	Free lift		mm (in.)	150 (6.0)			160 (6.5)	
Traveling performance	Travel speed	Powershift transmission models	Loaded	km/h (mph)	19 (12.0)		18.5 (11.5)	
			No load		19.5 (12.5)			
	Minimum turning radius		mm (in.)	2235 (88.0)	2285 (90)	2090 (82.5)	2340 (92.0)	
	Minimum intersecting isle	Standard		2245 (88.5)	2295 (90.5)	2100 (82.5)	2350 (92.5)	
	Gradeability at 1 mph (1.6 km/h)		Loaded	%	37	33	32	27
			No loaded		23.8	21.1	21.5	17.7
	Gradeability at stall		Loaded		42	37	36	30
			No loaded		23.8	21.1	21.5	17.7
Dimensions	Overall length to fork face		mm (in.)	2510 (98.5)	2550 (100)	2360 (93)	2620 (103)	
	Overall width	Standard		1180 (46.5)				
		Wide tread (optional)		1270 (50.0)				
	Overall height	To top of mast (lowered)		2200 (86.5)		2350 (92.5)		
		To top of mast (extended)		4250 (167.5)		4130 (162.5)		
		To top of overhead guard		2155 (85.0)				
	Wheelbase			1575 (62.0)				
	Tread	Front		Standard	940 (37.0)			
				Wide tread (optional)	1040 (41.0)			
	Rear			980 (38.5)				
	Overhang	Rear		485 (18.8)	525 (20.3)	335 (13.3)	565 (22.1)	
	Underclearance (at frame)			150 (5.9)				
	Tire size	Front		Single wheels	22×9×16			
Rear		18×7×12.12						
Weight	Single wheels (without load)	Service weight -no load		5200 (11500)	5600 (12300)	5700 (12700)	6500 (14300)	
		Axle loading	Front	2050 (4600)	2025 (4400)	2150 (4900)	1925 (4200)	
			Rear	3150 (6900)	3575 (7900)	3550 (7800)	4575 (10100)	

Thank you so much for reading.
Please click the “Buy Now!”
button below to download the
complete manual.



After you pay.

You can download the most
perfect and complete manual in
the world immediately.

Our support email:

ebooklibonline@outlook.com