

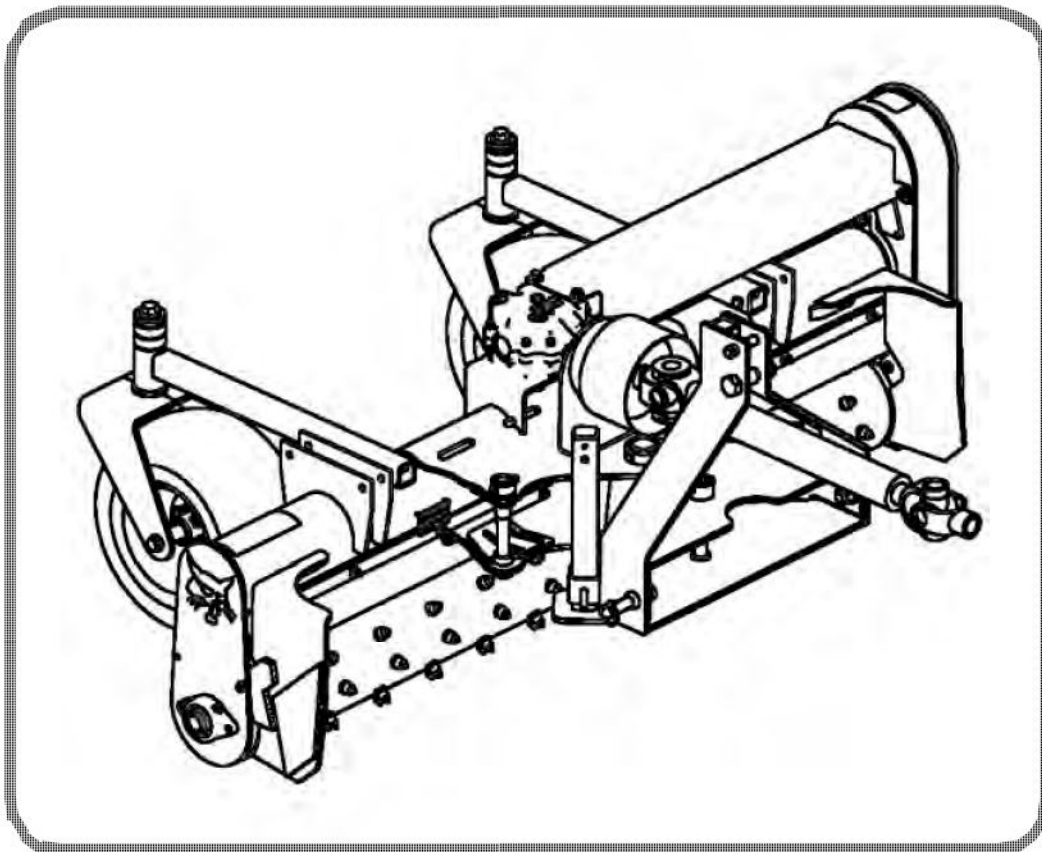


Bobcat®

Service Manual

Three-Point Soil Conditioner

(3SC60H) S/N AH8P00101 & Above
(3SC60M) S/N AJKZ00101 & Above
(3SC72H) S/N AH8L00101 & Above
(3SC72M) S/N AJL400101 & Above



Dealer Copy -- Not for Resale



MAINTENANCE SAFETY



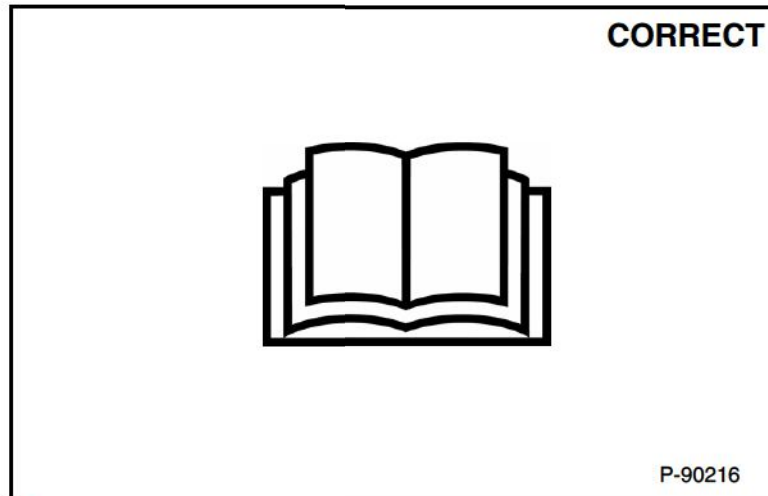
WARNING









Instructions are necessary before operating or servicing machine. Read and understand the Operation & Maintenance Manual, Operator's Handbook and signs (decals) on machine. Follow warnings and instructions in the manuals when making repairs, adjustments or servicing. Check for correct function after adjustments, repairs or service. Untrained operators and failure to follow instructions can cause injury or death.

W-2003-0807



Safety Alert Symbol: This symbol with a warning statement, means: "Warning, be alert! Your safety is involved!" Carefully read the message that follows.



-  **Never service attachments / implements without instructions. See Operation & Maintenance Manual and Attachment / Implement Service Manual.**
-  **Cleaning and maintenance are required daily.**
-  **Never service or adjust attachment / implement with the engine running unless instructed to do so in manual.**
-  **Always lower the attachment / implement to the ground before lubricating or servicing.**
-  **Avoid contact with leaking hydraulic fluid or diesel fuel under pressure. It can penetrate skin or eyes.**
-  **Stop, cool and clean engine of flammable materials before checking fluids.**
-  **Keep body, loose objects and clothing away from moving parts, electrical contacts, hot parts and exhaust.**
-  **Safety glasses are needed for eye protection from electrical arcs, battery acid, compressed springs, fluids under pressure and flying debris or when tools are used. Use eye protection approved for type of welding.**

Dealer Copy -- Not for Resale

MSW30-0409

CONTENTS

SAFETY AND MAINTENANCE	10-01
HYDRAULIC SYSTEM	20-01
MAINFRAME	30-01
SPECIFICATIONS	SPEC-01
ALPHABETICAL INDEX	INDEX-01

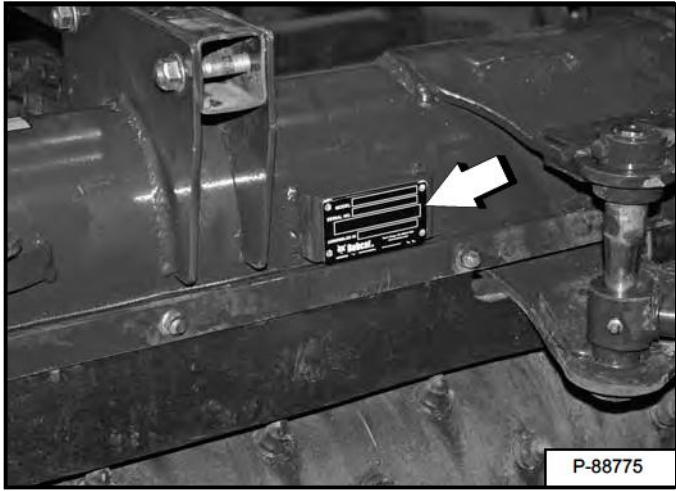
FOREWORD

SERIAL NUMBER LOCATION	1-7
Implement Serial Number	1-7
DELIVERY REPORT	1-7
IMPLEMENT IDENTIFICATION	1-8

SERIAL NUMBER LOCATION

Implement Serial Number

Figure 1



Always use the serial number **[Figure 1]** of the three-point soil conditioner when requesting service information or when ordering parts. Early or later models (identification made by serial number) may use different parts, or it may be necessary to use a different procedure in doing a specific service operation.

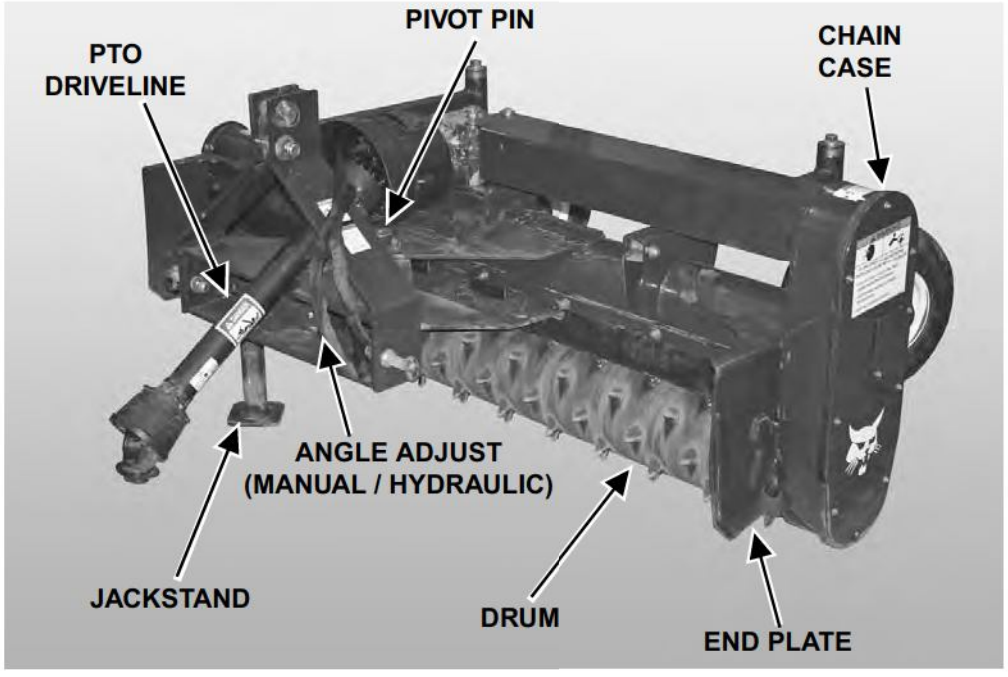
DELIVERY REPORT

Figure 2

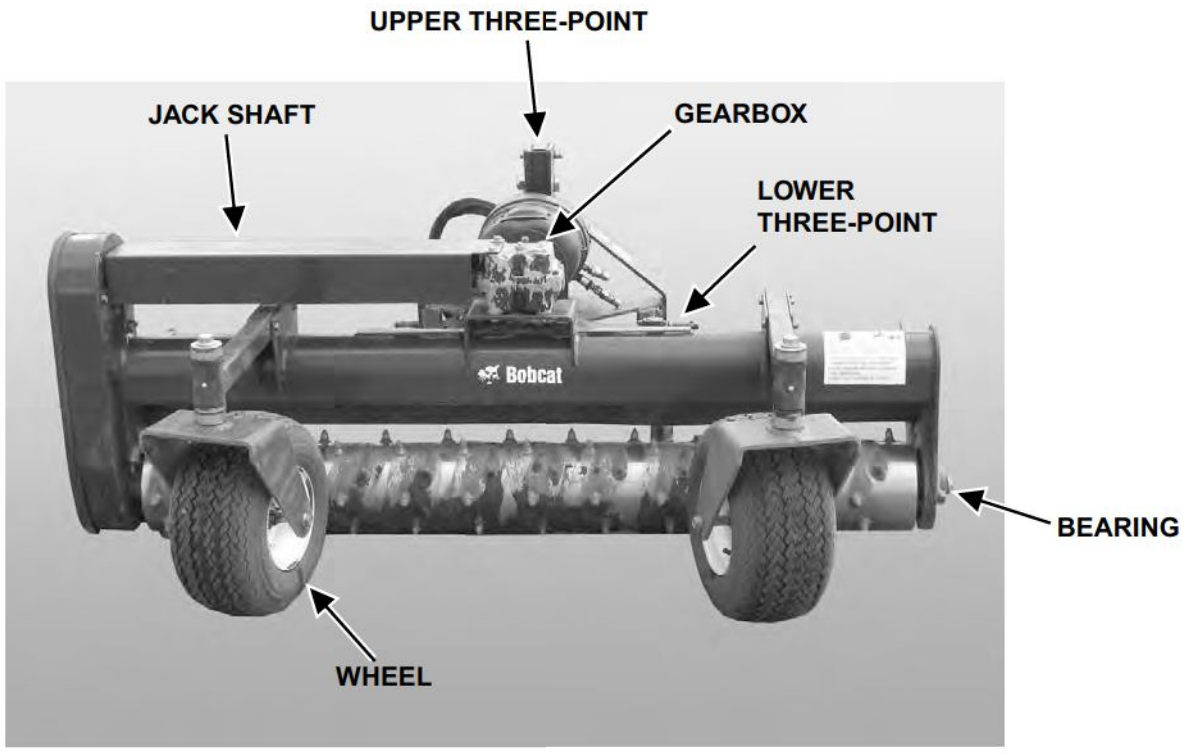
The delivery report **[Figure 2]** must be completed by the dealer and signed by the owner or operator when the Bobcat three-point soil conditioner is delivered. An explanation of the form must be given to the owner.

Dealer Copy -- Not for Resale

IMPLEMENT IDENTIFICATION



P-88789



P-88788

Dealer Copy -- Not for Resale

SAFETY AND MAINTENANCE

TROUBLESHOOTING	10-10-1
Chart	10-10-1
SERVICE SCHEDULE	10-20-1
Description	10-20-1
DAILY INSPECTION	10-30-1
Implement Mounting Frame	10-30-1
Three-Point Hitch	10-30-2
IMPLEMENT STORAGE AND RETURN TO SERVICE	10-40-1
Storage	10-40-1
Return To Service	10-40-1
REGULAR MAINTENANCE ITEMS	10-50-1
Chain Tension	10-50-1
Gearbox Fluid Level	10-50-2
Drum Teeth Inspection	10-50-2
LUBRICATING THE IMPLEMENT	10-60-1
Lubrication Locations	10-60-1

Dealer Copy -- Not for Resale

TROUBLESHOOTING

Chart



Instructions are necessary before operating or servicing machine. Read and understand the Operation & Maintenance Manual, Operator's Handbook and signs (decals) on machine. Follow warnings and instructions in the manuals when making repairs, adjustments or servicing. Check for correct function after adjustments, repairs or service. Untrained operators and failure to follow instructions can cause injury or death.

W-2003-0807


PROBLEM	CAUSE	CORRECTION
Drum will not spin.	PTO not engaged.	Engage rear-PTO.
	PTO slip clutch worn excessively.	Repair or replace slip clutch.
	Chain link broken.	Repair or replace chain.
	Drum is obstructed.	Remove obstruction from drum.
Poor soil conditioning.	Missing or damaged teeth.	Replace teeth.
	Ground speed too fast.	Drive at slower ground speed.
	Incorrect height setting.	Adjust height setting.
Vibration.	Build up of material on drum.	Clean drum.
	Loose, broken or missing parts.	Repair or replace as needed.
Three-point soil conditioner does not angle.	Debris build up on pivot plates.	Clean debris from pivot plates.
HYDRAULIC ANGLING EQUIPPED MODELS		
PROBLEM	CAUSE	CORRECTION
Three-point soil conditioner does not angle.	Debris build up on pivot plates.	Clean debris from pivot plates.
	No hydraulic flow.	Check quick coupler connection.
	Damaged quick coupler(s).	Replace quick coupler(s).
	Damaged hydraulic hose(s).	Repair or replace hydraulic hose(s).
	Damaged hydraulic cylinder.	Repair or replace hydraulic cylinder.

Dealer Copy -- Not for Resale

SERVICE SCHEDULE

Description

Maintenance work must be done at regular intervals. Failure to do so will result in excessive wear and early failures. The service schedule is a guide for correct maintenance of the Bobcat product.

 WARNING	<p>Instructions are necessary before operating or servicing machine. Read and understand the Operation & Maintenance Manual, Operator's Handbook and signs (decals) on machine. Follow warnings and instructions in the manuals when making repairs, adjustments or servicing. Check for correct function after adjustments, repairs or service. Untrained operators and failure to follow instructions can cause injury or death.</p>
W-2003-0807	

SERVICE SCHEDULE		FREQUENCY		
ITEM	SERVICE REQUIRED	DAILY	10 HOURS	100 HOURS / YEARLY
Implement Frame Inspection	Inspect for cracks and damage.			
Drum Teeth Inspection	Check for damaged or missing teeth, replace as required.			
Check Chain Tension	Adjust chain tension, replace chain as required.			
PTO Shaft	Grease PTO shaft and check knuckles.			
Grease Three-Point Soil Conditioner	Apply grease to all fittings.			
Gearbox Fluid Level	Check for proper level of fluid.			
Replace Gearbox Fluid	Drain and replace fluid. (Approx. 0,83 L (28 U.S. fl oz) of EP80W90)		[1]	

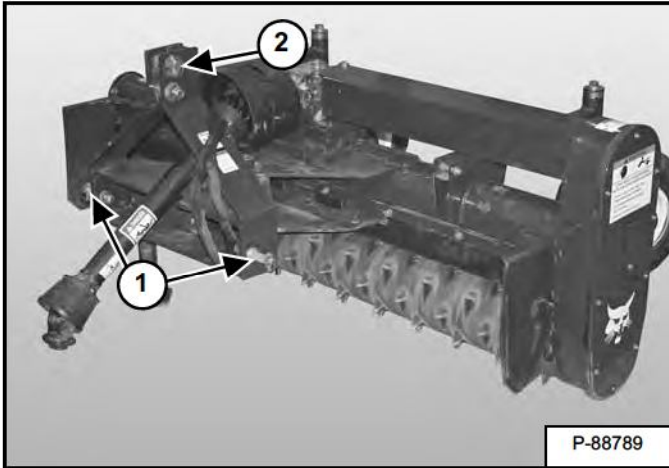
[1] Service at first 10 hours and thereafter as scheduled.

Dealer Copy -- Not for Resale

DAILY INSPECTION

Implement Mounting Frame

Figure 10-30-1



Inspect the lower three-point mounts and mounting pins (Item 1) and upper three-point mount and mounting pin (Item 2) [Figure 10-30-1], along with all welds for wear and damage each time the three-point soil conditioner is removed from the carrier.

Frequently inspect the three-point soil conditioner to ensure that all components are secure and that all bolts and nuts are thoroughly tightened.

Buy Now



Our support email:

ebooklibonline@outlook.com