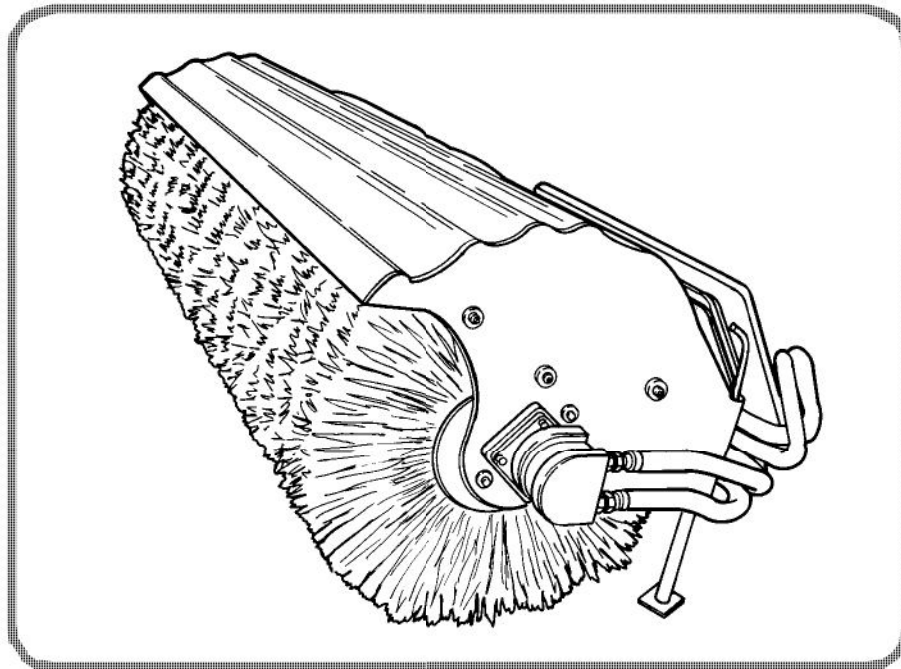




Bobcat®

Service Manual Angle Broom

S/N 068700101 & Above
S/N 231000101 & Above
(48 IN) S/N 700000101 & Above
(68 Angle Broom) S/N 231311101 & Above
(68 IN) S/N 690100101 & Above
(68 IN) S/N 797301001 & Above
(84 IN) S/N 055000101 & Above
(84 Angle Broom) S/N 231411101 & Above



Dealer Copy -- Not for Resale

MAINTENANCE SAFETY



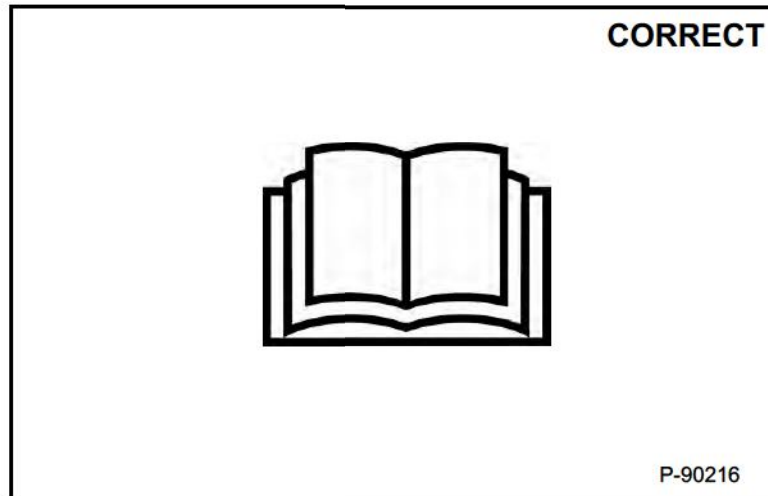
WARNING

Instructions are necessary before operating or servicing machine. Read and understand the Operation & Maintenance Manual, Operator's Handbook and signs (decals) on machine. Follow warnings and instructions in the manuals when making repairs, adjustments or servicing. Check for correct function after adjustments, repairs or service. Untrained operators and failure to follow instructions can cause injury or death.

W-2003-0807



Safety Alert Symbol: This symbol with a warning statement, means: "Warning, be alert! Your safety is involved!" Carefully read the message that follows.



- ⚠ Never service attachments / implements without instructions. See Operation & Maintenance Manual and Attachment / Implement Service Manual.
- ⚠ Cleaning and maintenance are required daily.
- ⚠ Never service or adjust attachment / implement with the engine running unless instructed to do so in manual.
- ⚠ Always lower the attachment / implement to the ground before lubricating or servicing.
- ⚠ Avoid contact with leaking hydraulic fluid or diesel fuel under pressure. It can penetrate skin or eyes.
- ⚠ Stop, cool and clean engine of flammable materials before checking fluids.
- ⚠ Keep body, loose objects and clothing away from moving parts, electrical contacts, hot parts and exhaust.
- ⚠ Safety glasses are needed for eye protection from electrical arcs, battery acid, compressed springs, fluids under pressure and flying debris or when tools are used. Use eye protection approved for type of welding.

Dealer Copy -- Not for Resale

MSW30-0409

CONTENTS

SAFETY AND MAINTENANCE	10-01
HYDRAULIC SYSTEM	20-01
MAINFRAME	30-01
SPECIFICATIONS	SPEC-01
ALPHABETICAL INDEX	INDEX-01

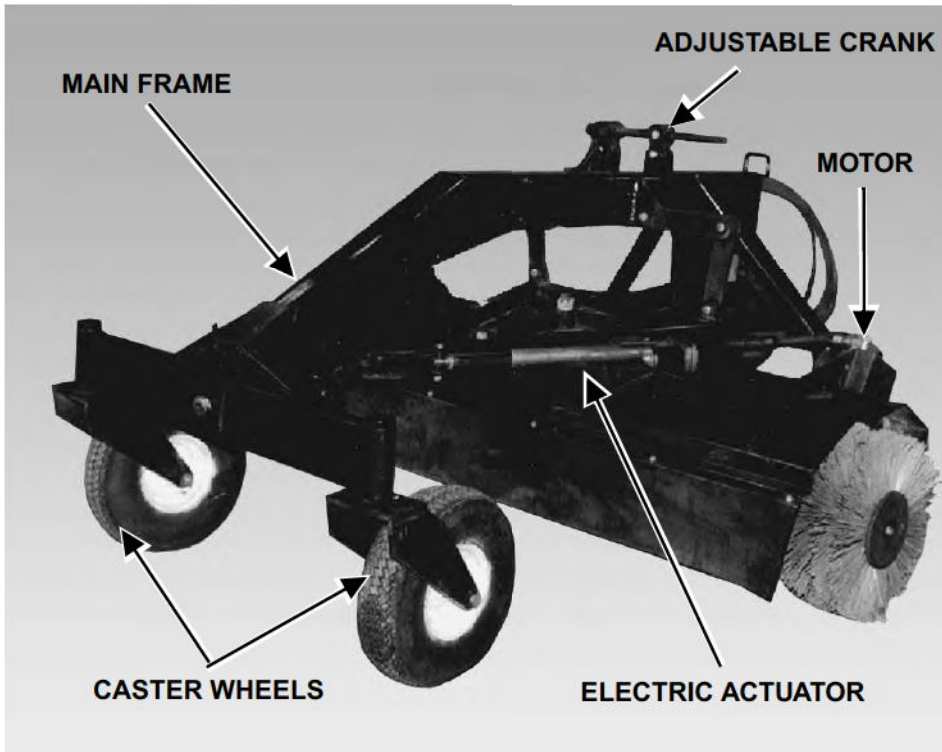
Dealer Copy -- Not for Resale

FOREWORD

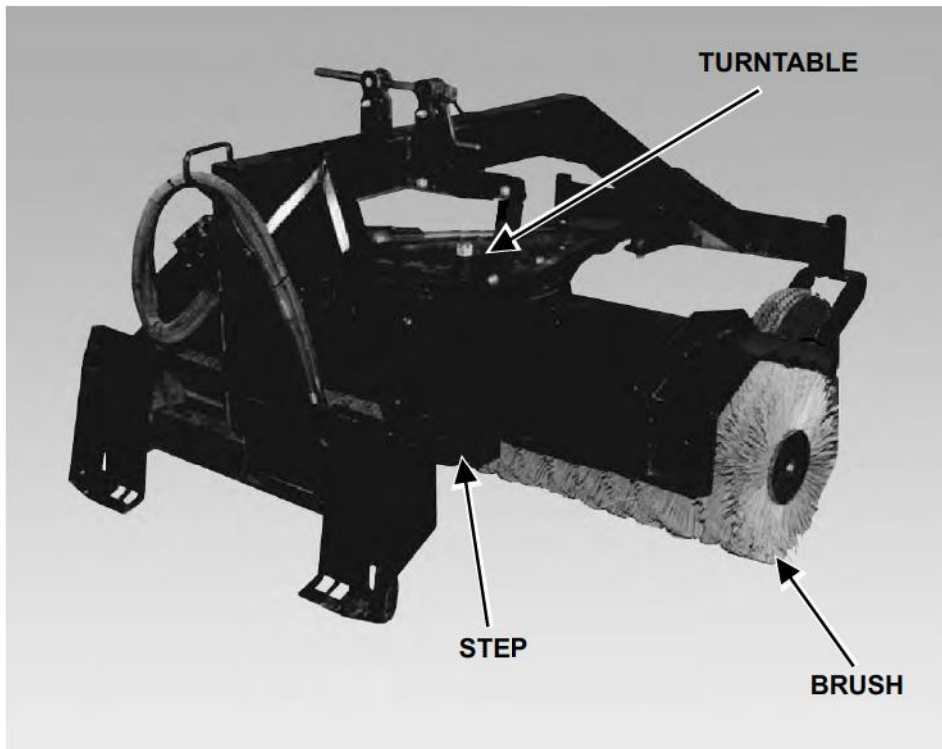
SERIAL NUMBER LOCATION	1-7
Attachment Serial Number	1-7
DELIVERY REPORT	1-7
ATTACHMENT IDENTIFICATION	1-8
(S/N 068700101 & Above)	1-8
(S/N 797301001 & Above)	1-9
(S/N 690100101 & Above)	1-10
(S/N 055000101 & Above), (S/N 231000101 & Above), (S/N 231311101 & Above) AND (S/N 231411101 & Above)	1-11
(S/N 700000101 & Above)	1-12

ATTACHMENT IDENTIFICATION

(S/N 068700101 & Above)



P-96014

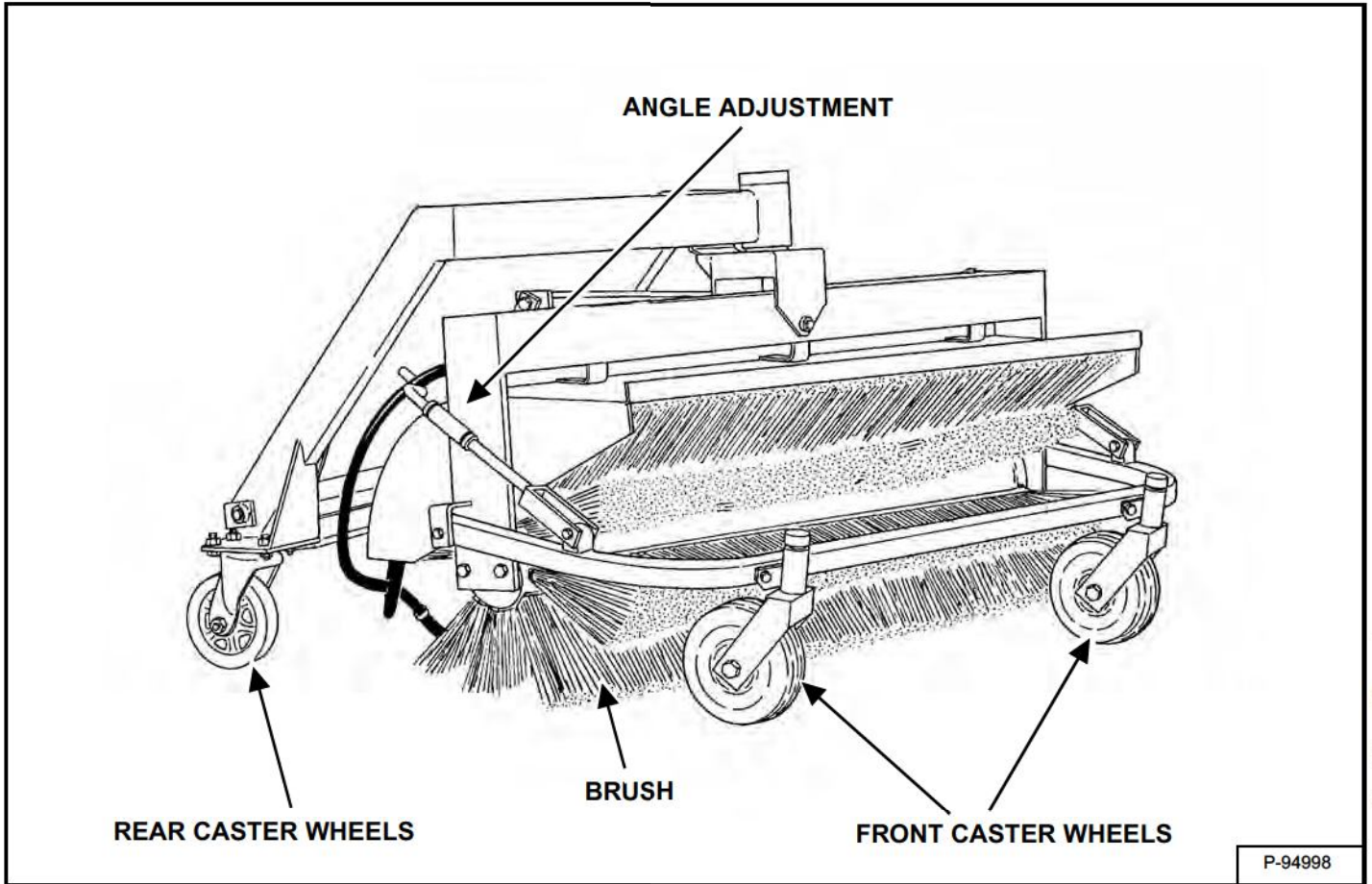


P-96015

Dealer Copy -- Not for Resale

ATTACHMENT IDENTIFICATION (CONT'D)

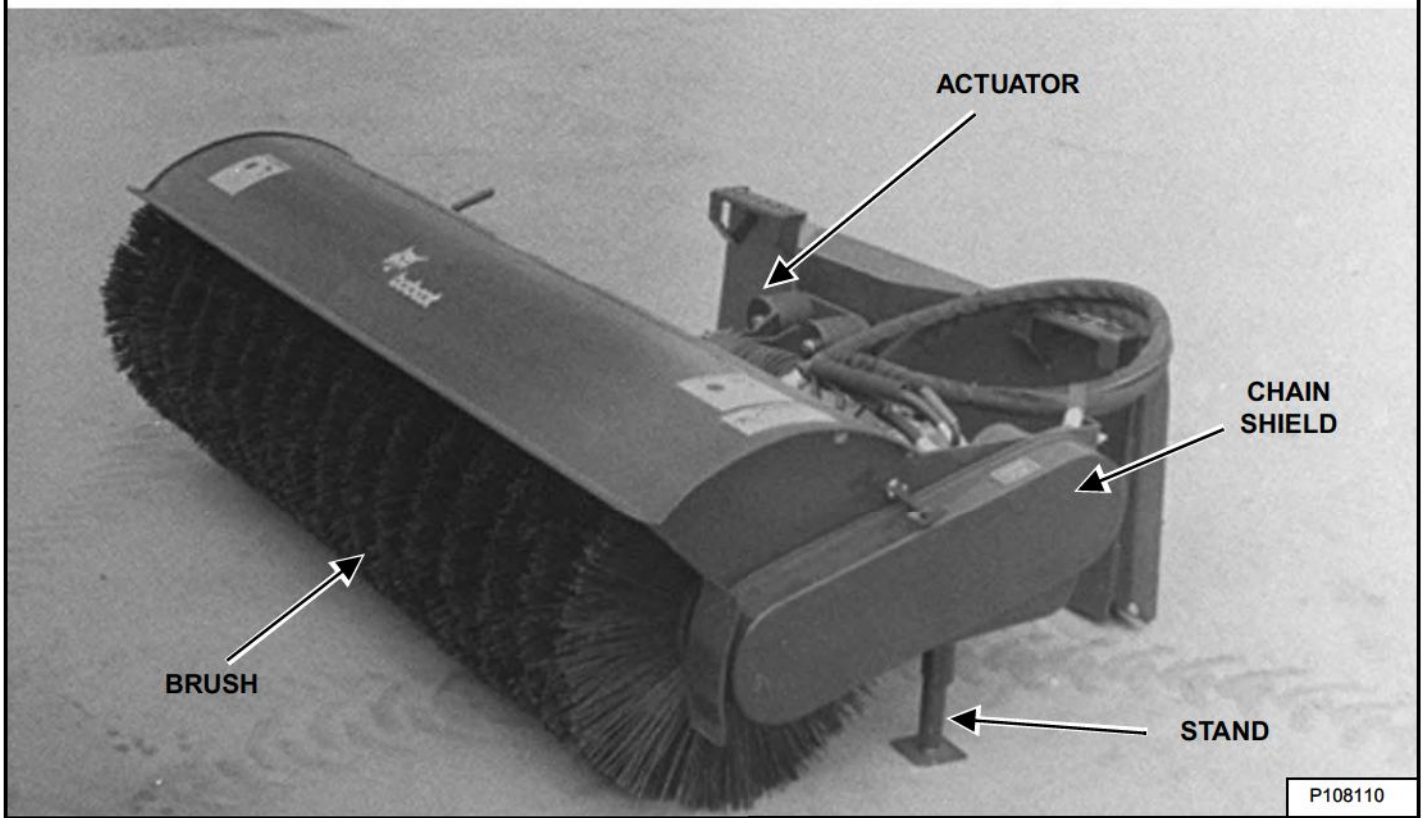
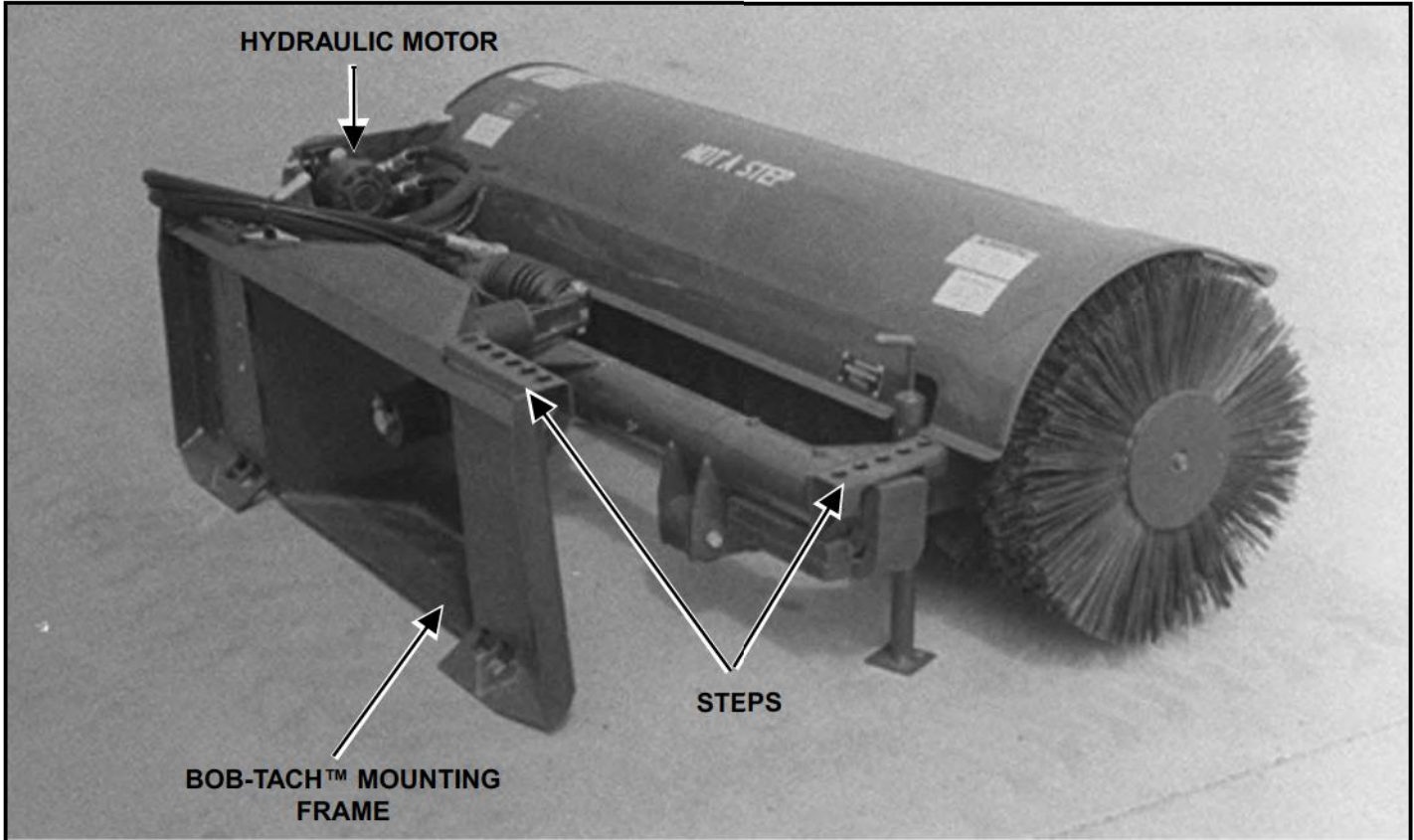
(S/N 797301001 & Above)



Dealer Copy -- Not for Resale

ATTACHMENT IDENTIFICATION (CONT'D)

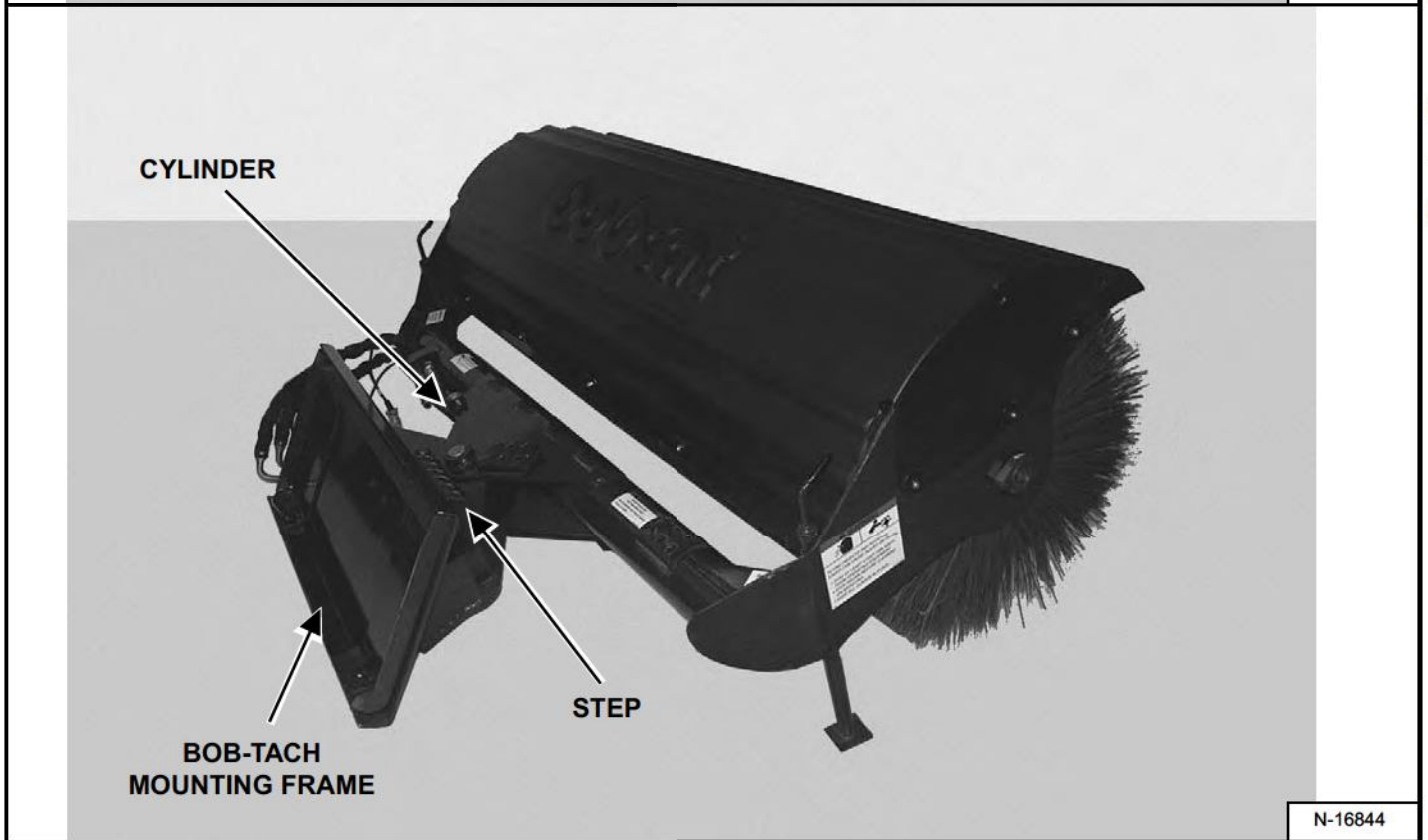
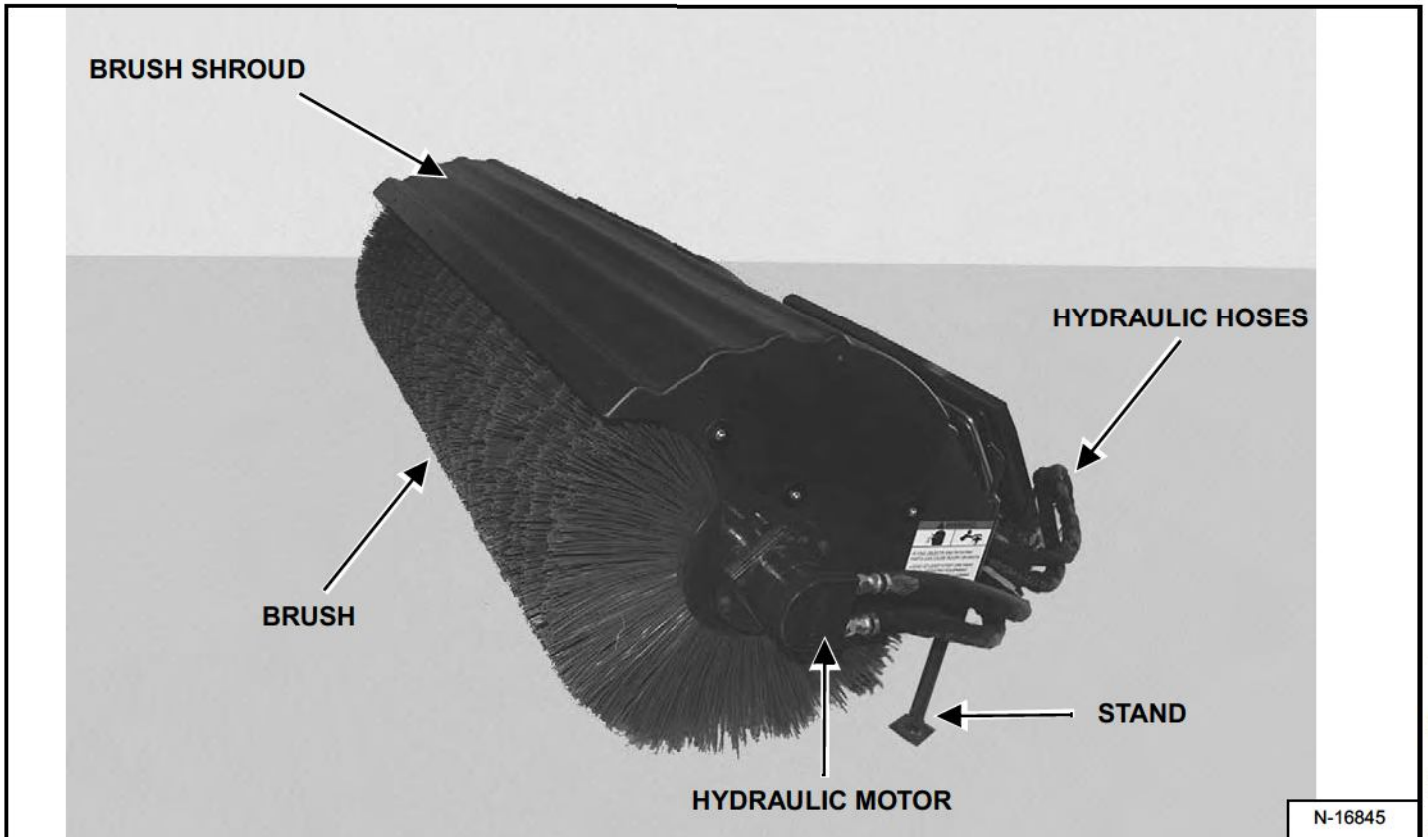
(S/N 690100101 & Above)



Dealer Copy -- Not for Resale

ATTACHMENT IDENTIFICATION (CONT'D)

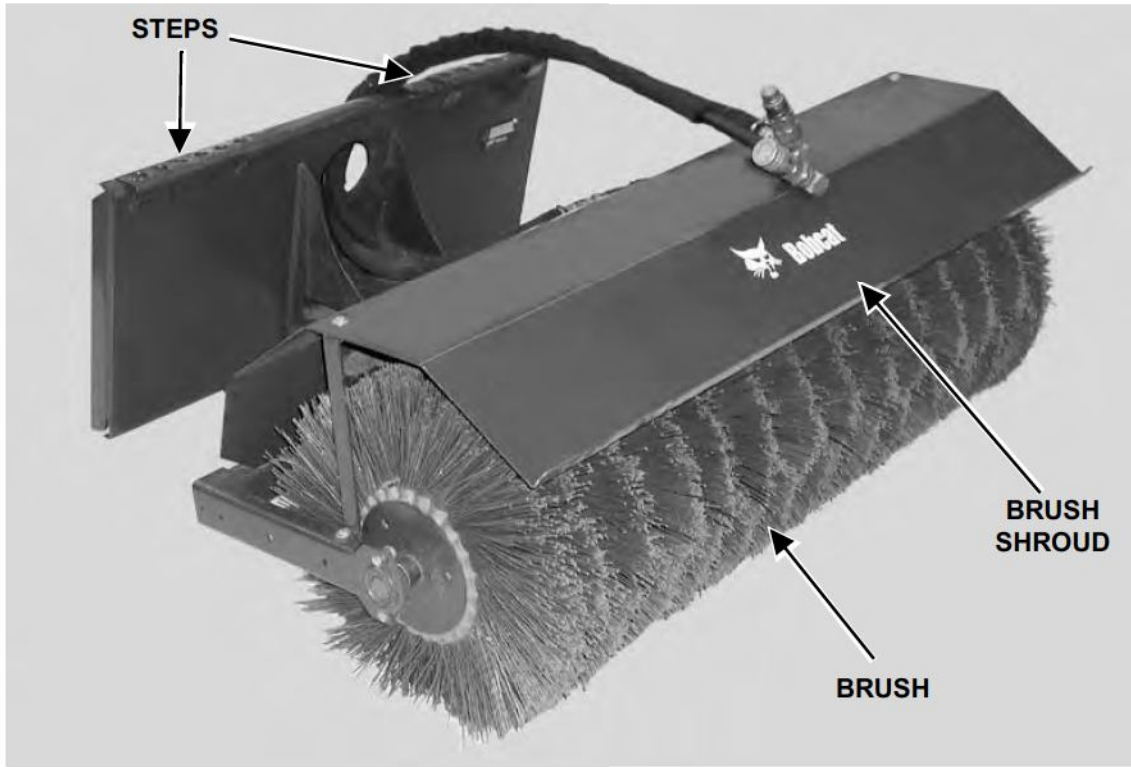
(S/N 055000101 & Above), (S/N 231000101 & Above), (S/N 231311101 & Above) AND (S/N 231411101 & Above)



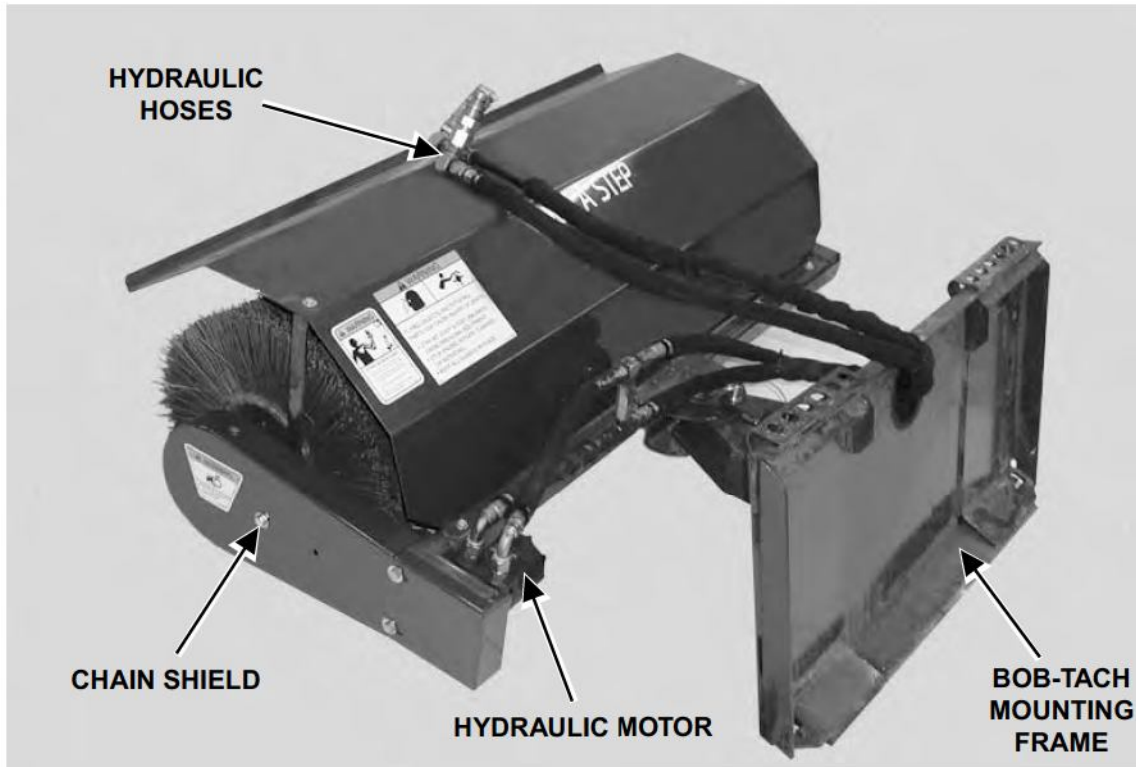
Dealer Copy -- Not for Resale

ATTACHMENT IDENTIFICATION (CONT'D)

(S/N 700000101 & Above)



P-22402



P-22400

Dealer Copy -- Not for Resale

SAFETY AND MAINTENANCE

LUBRICATING THE ATTACHMENT	10-10-1
Lubrication Locations (S/N 797301001 & Above)	10-10-1
Lubrication Locations (S/N 068700101 & Above)	10-10-2
Lubrication Locations (S/N 690100101 & Above)	10-10-3
Lubrication Locations (S/N 055000101 & Above, S/N 231000101 & Above, S/N 231311101 & Above AND S/N 231411101 & Above)	10-10-4
Lubrication Locations (S/N 700000101 & Above)	10-10-4
DAILY INSPECTION	10-20-1
Attachment Mounting Frame	10-20-1
Bob-Tach	10-20-1
TROUBLESHOOTING	10-30-1
Chart	10-30-1

Dealer Copy -- Not for Resale

Buy Now



Our support email:

ebooklibonline@outlook.com