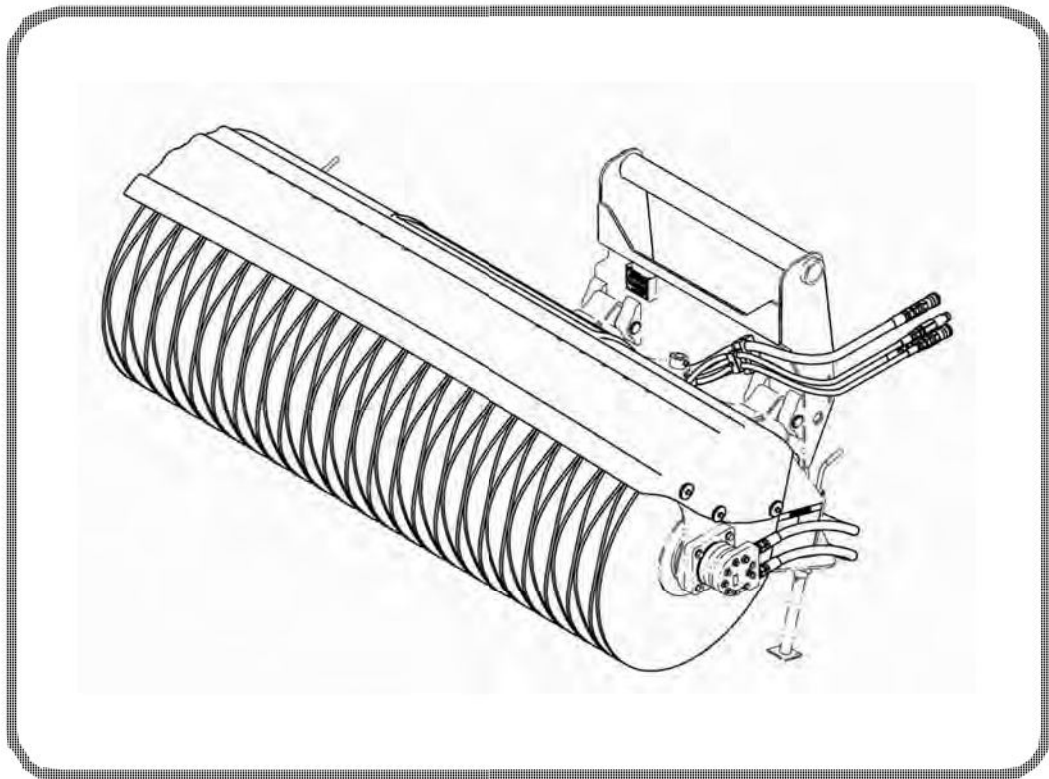




Bobcat®

Service Manual Angle Broom

(84V) S/N 662700101 & Above



Dealer Copy -- Not for Resale



MAINTENANCE SAFETY



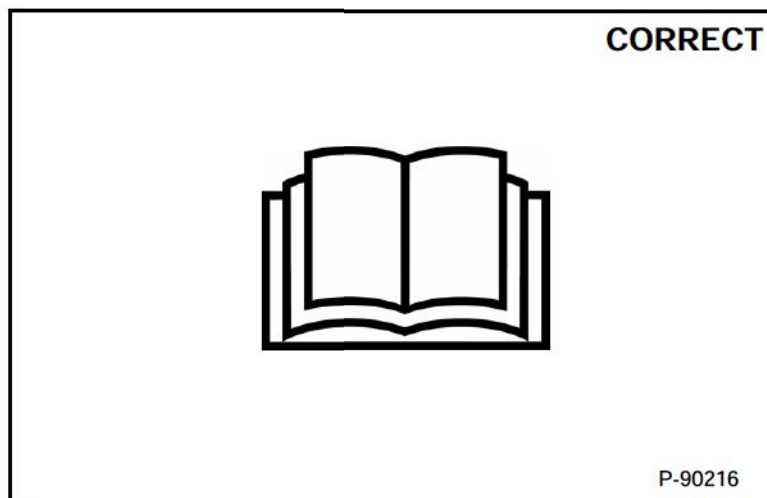
WARNING









Instructions are necessary before operating or servicing machine. Read and understand the Operation & Maintenance Manual, Operator's Handbook and signs (decals) on machine. Follow warnings and instructions in the manuals when making repairs, adjustments or servicing. Check for correct function after adjustments, repairs or service. Untrained operators and failure to follow instructions can cause injury or death.

W-2003-0807



Safety Alert Symbol: This symbol with a warning statement, means: "Warning, be alert! Your safety is involved!" Carefully read the message that follows.



-  Never service attachments / implements without instructions. See Operation & Maintenance Manual and Attachment / Implement Service Manual.
-  Cleaning and maintenance are required daily.
-  Never service or adjust attachment / implement with the engine running unless instructed to do so in manual.
-  Always lower the attachment / implement to the ground before lubricating or servicing.
-  Avoid contact with leaking hydraulic fluid or diesel fuel under pressure. It can penetrate skin or eyes.
-  Stop, cool and clean engine of flammable materials before checking fluids.
-  Keep body, loose objects and clothing away from moving parts, electrical contacts, hot parts and exhaust.
-  Safety glasses are needed for eye protection from electrical arcs, battery acid, compressed springs, fluids under pressure and flying debris or when tools are used. Use eye protection approved for type of welding.

Dealer Copy -- Not for Resale

MSW30-0409

CONTENTS

SAFETY AND MAINTENANCE	10-01
HYDRAULIC SYSTEM	20-01
MAINFRAME	30-01
SPECIFICATIONS	SPEC-01
ALPHABETICAL INDEX	INDEX-01

Dealer Copy -- Not for Resale

FOREWORD

SERIAL NUMBER LOCATION	1-7
Attachment Serial Number	1-7
DELIVERY REPORT	1-7
ATTACHMENT IDENTIFICATION	1-8

SERIAL NUMBER LOCATION

Attachment Serial Number

Figure 1



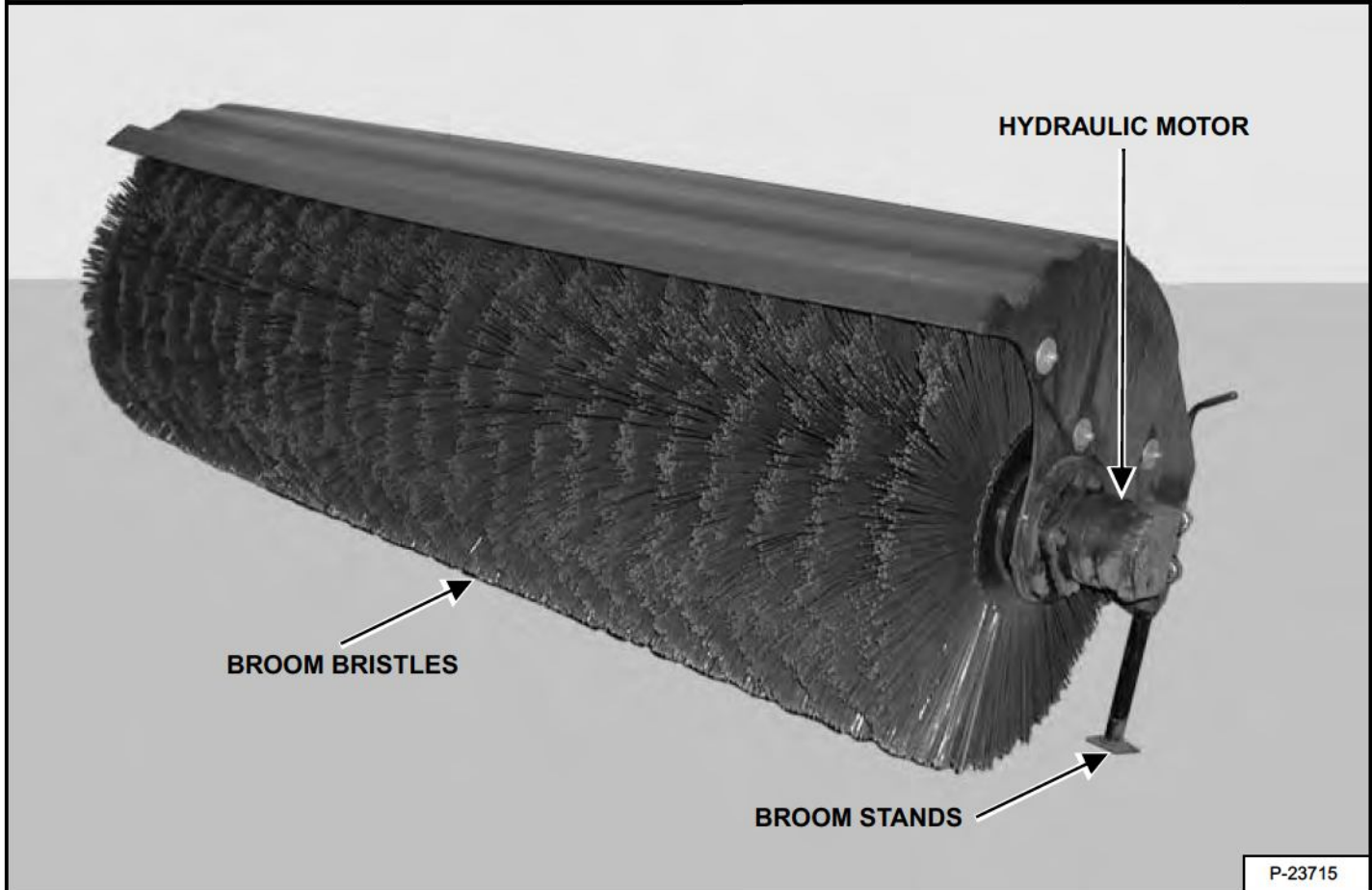
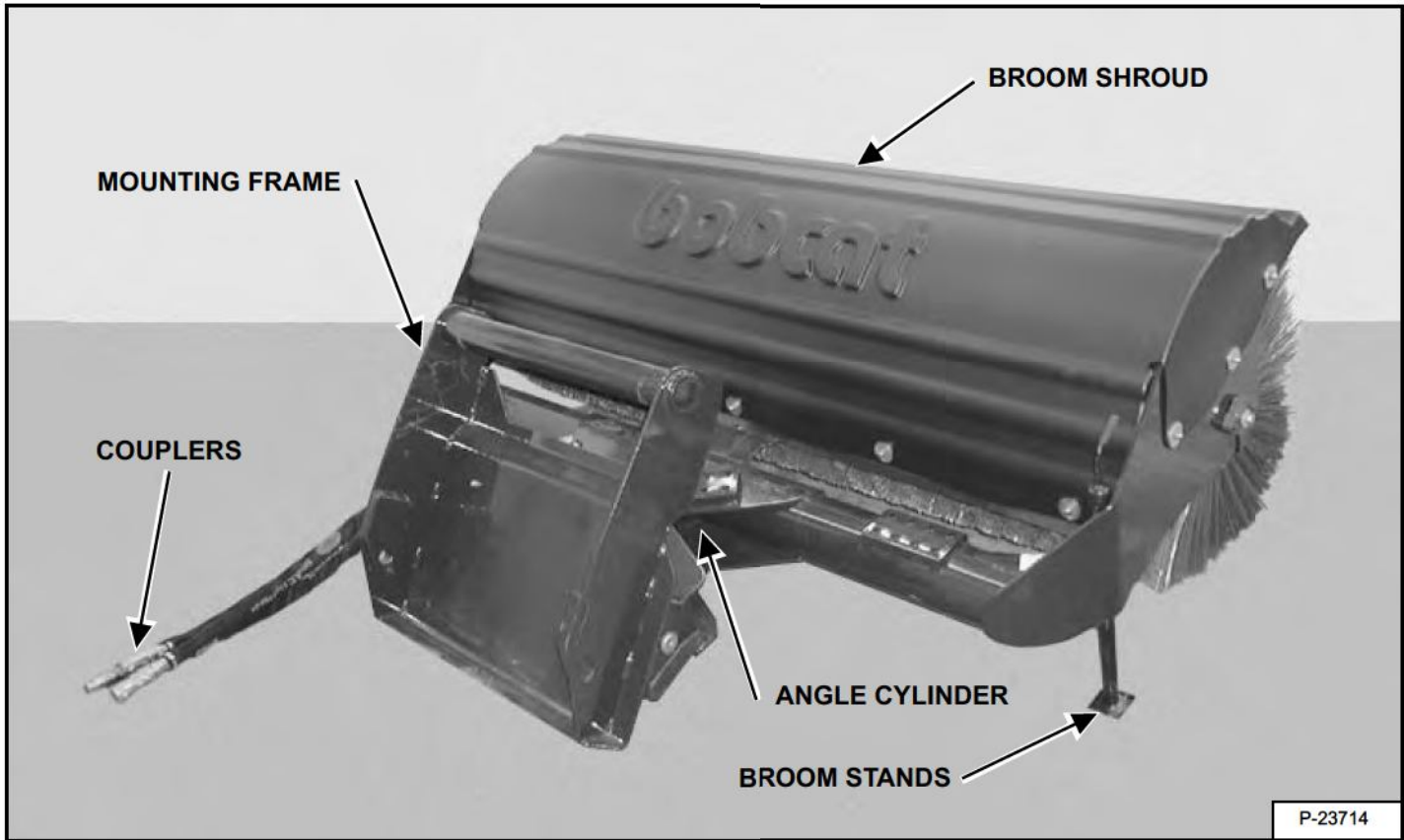
Always use the serial number of the angle broom when requesting service information or when ordering parts. Early or later models (identification made by serial number) may use different parts, or it may be necessary to use a different procedure in doing a specific service operation [Figure 1].

DELIVERY REPORT

Figure 2

The delivery report [Figure 2] must be completed by the dealer and signed by the owner or operator when the Bobcat angle broom is delivered. An explanation of the form must be given to the owner.

ATTACHMENT IDENTIFICATION



Dealer Copy -- Not for Resale


SAFETY AND MAINTENANCE

TROUBLESHOOTING	10-10-1
Chart	10-10-1
DAILY INSPECTION	10-20-1
VersaHANDLER Mounting Frame Inspection	10-20-1
Angle Broom Mount Inspection	10-20-2
Angle Broom Bristle Minimum Length	10-20-2
LUBRICATION	10-30-1
Lubrication Locations	10-30-1
BRISTLE REPLACEMENT	10-40-1
Bristle Removal	10-40-1
Bristle Installation	10-40-3

Dealer Copy -- Not for Resale

TROUBLESHOOTING

Chart

 <b style="font-size: 24pt; margin-left: 10px;">WARNING	<p>Instructions are necessary before operating or servicing machine. Read and understand the Operation & Maintenance Manual, Operator's Handbook and signs (decals) on machine. Follow warnings and instructions in the manuals when making repairs, adjustments or servicing. Check for correct function after adjustments, repairs or service. Untrained operators and failure to follow instructions can cause injury or death.</p> <p style="text-align: right; font-size: 10pt;">W-2003-0903</p>
--	---

If the attachment is not working correctly, check the hydraulic system of the machine thoroughly before making any repairs on the attachment. Attachment problems can be affected by a hydraulic system that is not operating to specifications. Connect a flow meter to the machine to check the hydraulic pump output, relief valve setting and tube lines to check flow and pressure. (See the machine's Service Manual for the correct procedure to connect the flow meter.)

Use the following troubleshooting chart to locate and correct problems which most often occur with the attachment.

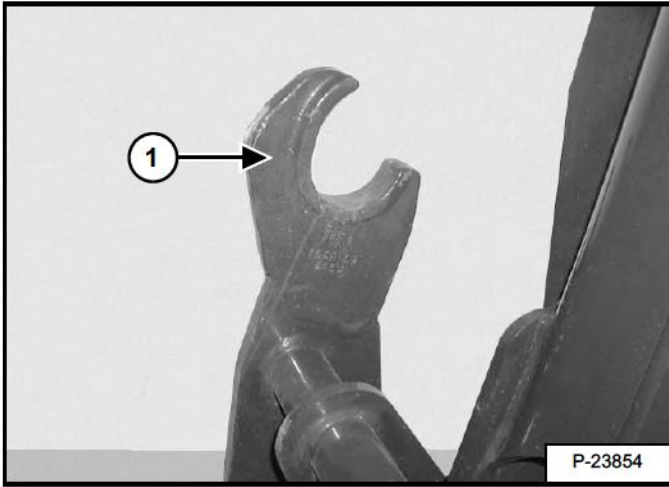
TROUBLESHOOTING THE ANGLE BROOM		
PROBLEM	CAUSE	CORRECTION
Angle broom does not mount properly on the VersaHANDLER.	VersaHANDLER locking pins are not fully retracted.	Retract VersaHANDLER locking pins.
	Mud, dirt or stones are lodged between the VersaHANDLER mounting frame and the angle broom mount.	Remove debris between VersaHANDLER mounting frame and angle broom mount.
Angle broom does not angle.	No hydraulic flow.	Activate VersaHANDLER hydraulic on/off switch.
		Activate VersaHANDLER secondary auxiliary hydraulic switch.
		Check quick couplers connection. Check for damaged hose ends and fittings.
		Pressure release valve in the pressure release position, return valve to the operating position.
Angle broom angles when broom is rotating.	Secondary auxiliary switch activated.	Move the VersaHANDLER secondary auxiliary switch to the off position.
Angle broom does not rotate.	No hydraulic flow.	Activate VersaHANDLER hydraulic on/off switch.
		Activate VersaHANDLER front auxiliary hydraulics detent switch.
		Check quick couplers connection. Check for damaged hose ends and fittings.
		Pressure release valve in the pressure release position, return valve to the operating position.

Dealer Copy -- Not for Resale

DAILY INSPECTION

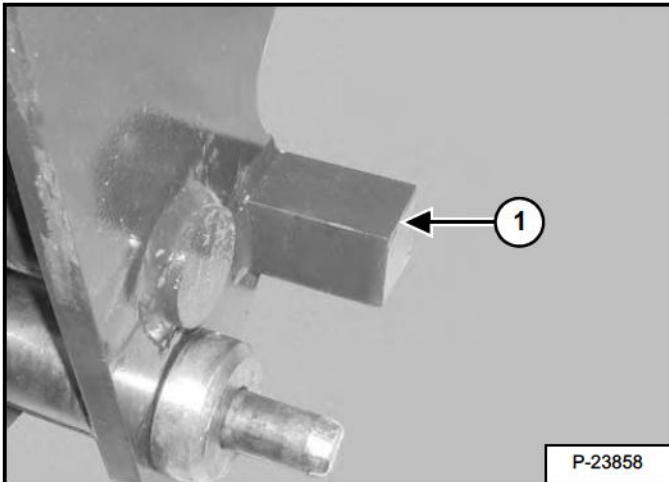
VersaHANDLER Mounting Frame Inspection

Figure 10-20-1



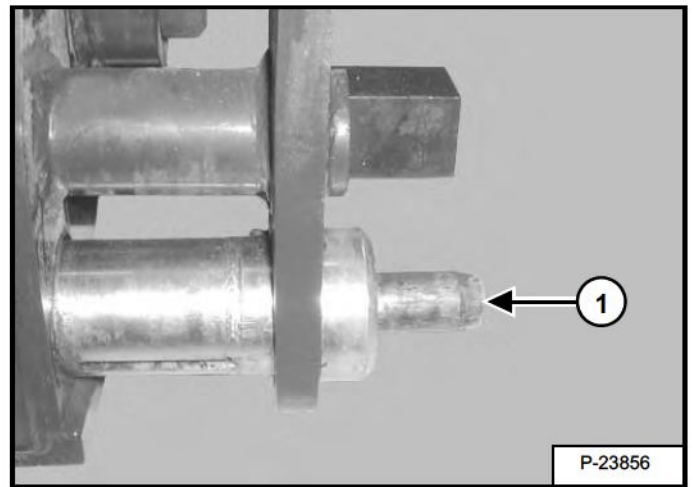
The VersaHANDLER mounting hooks (Item 1) [Figure 10-20-1] must not be damaged. Check for cracked or broken hooks.

Figure 10-20-2



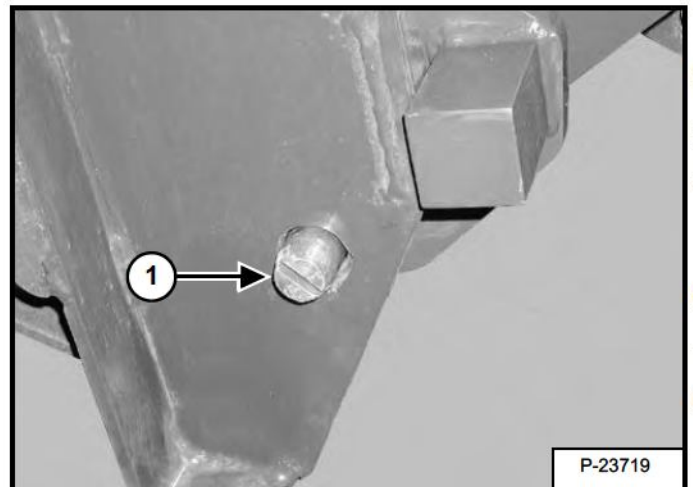
The stop blocks (Item 1) [Figure 10-20-2] must not be damaged. Check for bent or broken stop blocks.

Figure 10-20-3



Move the VersaHANDLER locking pins to engage the pins (Item 1) [Figure 10-20-3]. The pins must move freely. The pins must not be bent or the ends mushroomed.

Figure 10-20-4



The pins must extend through the holes (Item 1) [Figure 10-20-4] in the attachment mounting frame.

Dealer Copy -- Not for Resale

Buy Now



Our support email:

ebooklibonline@outlook.com