



# Bobcat®

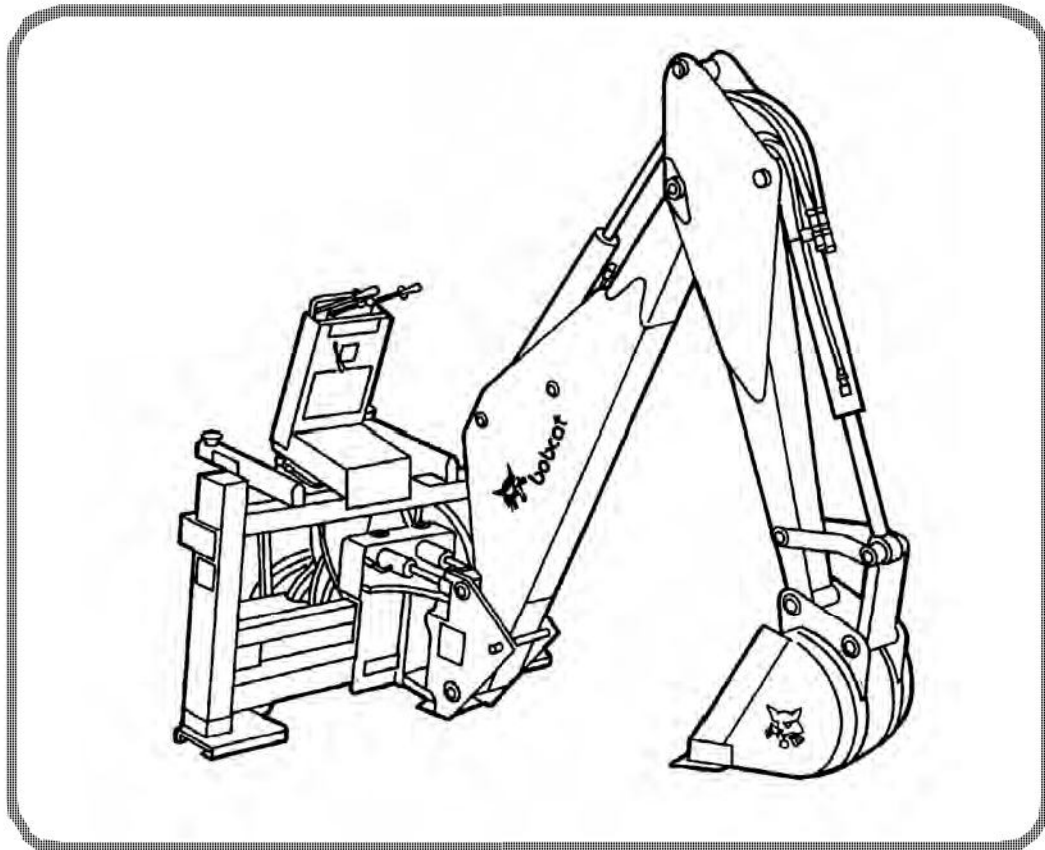
---

## Service Manual Backhoe

---

(607 Backhoe) S/N 775002277 & Below  
(709 Backhoe) S/N 270007244 & Below  
(709FDS Backhoe) S/N 584101443 & Below  
(725S Backhoe) S/N 401500101 & Above  
(730S Backhoe) S/N 780000101 & Above  
(811 Backhoe) S/N 630000101 & Above  
(835S Backhoe) S/N 785000101 & Above  
(8709 Backhoe) S/N 880000101 & Above  
(905B Backhoe) S/N 580000101 & Above  
(907 Backhoe) S/N 195600101 & Above

(909 Backhoe) S/N 113800101 & Above  
(911 Backhoe) S/N 046100101 & Above  
(911B Backhoe) S/N 160800101 & Above  
(913 Backhoe) S/N 370000101 & Above  
(914B Backhoe) S/N 058900101 & Above  
(914B Extendable Backhoe)  
(923S Backhoe) S/N 190000101 & Above  
(923SA Backhoe) S/N 320000101 & Above  
(937S Backhoe) S/N 120000101 & Above



Dealer Copy -- Not for Resale

# MAINTENANCE SAFETY



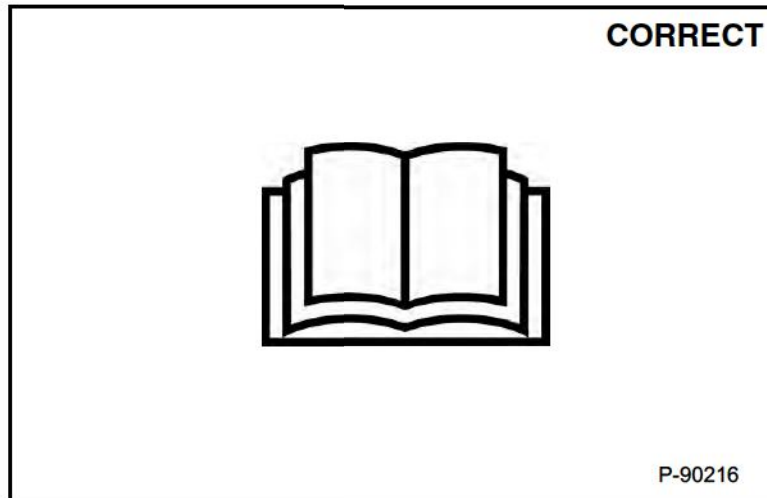
## WARNING

Instructions are necessary before operating or servicing machine. Read and understand the Operation & Maintenance Manual, Operator's Handbook and signs (decals) on machine. Follow warnings and instructions in the manuals when making repairs, adjustments or servicing. Check for correct function after adjustments, repairs or service. Untrained operators and failure to follow instructions can cause injury or death.

W-2003-0807



**Safety Alert Symbol:** This symbol with a warning statement, means: "Warning, be alert! Your safety is involved!" Carefully read the message that follows.



- ⚠ Never service attachments / implements without instructions. See Operation & Maintenance Manual and Attachment / Implement Service Manual.
- ⚠ Cleaning and maintenance are required daily.
- ⚠ Never service or adjust attachment / implement with the engine running unless instructed to do so in manual.
- ⚠ Always lower the attachment / implement to the ground before lubricating or servicing.
- ⚠ Avoid contact with leaking hydraulic fluid or diesel fuel under pressure. It can penetrate skin or eyes.
- ⚠ Stop, cool and clean engine of flammable materials before checking fluids.
- ⚠ Keep body, loose objects and clothing away from moving parts, electrical contacts, hot parts and exhaust.
- ⚠ Safety glasses are needed for eye protection from electrical arcs, battery acid, compressed springs, fluids under pressure and flying debris or when tools are used. Use eye protection approved for type of welding.

Dealer Copy -- Not for Resale

MSW30-0409

## CONTENTS

SAFETY AND MAINTENANCE .....	10-01
HYDRAULIC SYSTEM .....	20-01
MAINFRAME .....	30-01
SPECIFICATIONS .....	SPEC-01
ALPHABETICAL INDEX .....	INDEX-01

Dealer Copy -- Not for Resale

## FOREWORD

SERIAL NUMBER LOCATION .....	1-7
Attachment Serial Number .....	1-7
DELIVERY REPORT .....	1-8
ATTACHMENT IDENTIFICATION .....	1-9
(905B) Backhoe .....	1-9
(907) Backhoe .....	1-10
(909 And 911) Backhoe .....	1-11
(607, 709 And 709FDS) Backhoe .....	1-12
(811) Backhoe .....	1-14
(8709) Backhoe .....	1-15
(913) Backhoe .....	1-16
(725S, 835S, 923, 923S And 923SA) Backhoe .....	1-17
(730S) Backhoe .....	1-18
(911B) Backhoe .....	1-19
(914B) Backhoe .....	1-20
(937S) Backhoe .....	1-21
FEATURES AND ACCESSORIES .....	1-22
Options And Accessories .....	1-22

## SERIAL NUMBER LOCATION

### Attachment Serial Number

Figure 1

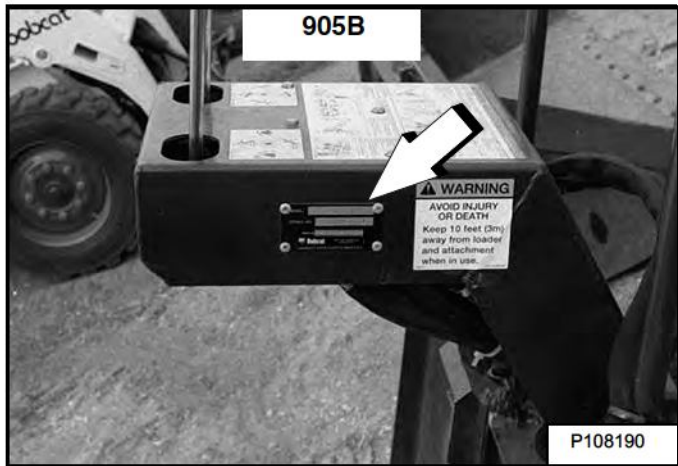


Figure 2



Figure 3

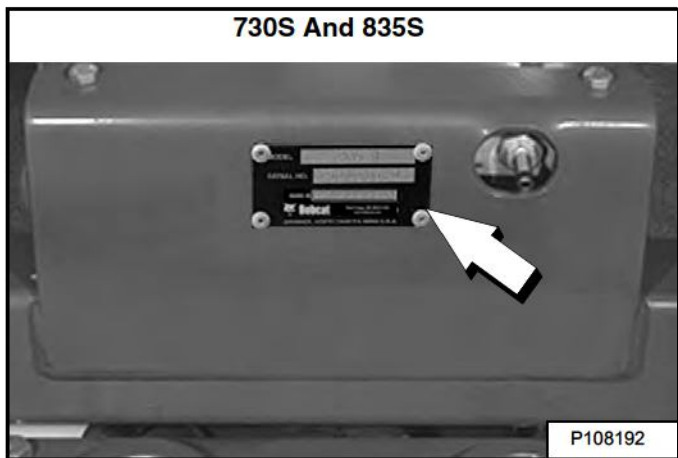
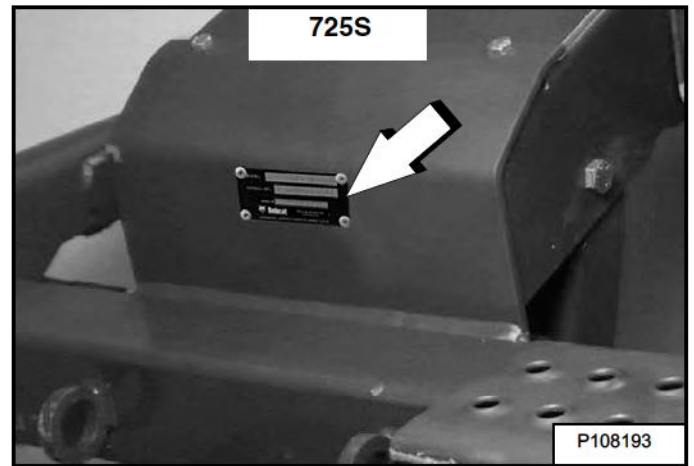


Figure 4



Always use the serial number [Figure 1] through [Figure 4] of the Bobcat backhoe when requesting service information or when ordering parts. Early or later models (identification made by serial number) may use different parts, or it may be necessary to use a different procedure in doing a specific service operation.

Dealer Copy -- Not for Resale

# DELIVERY REPORT

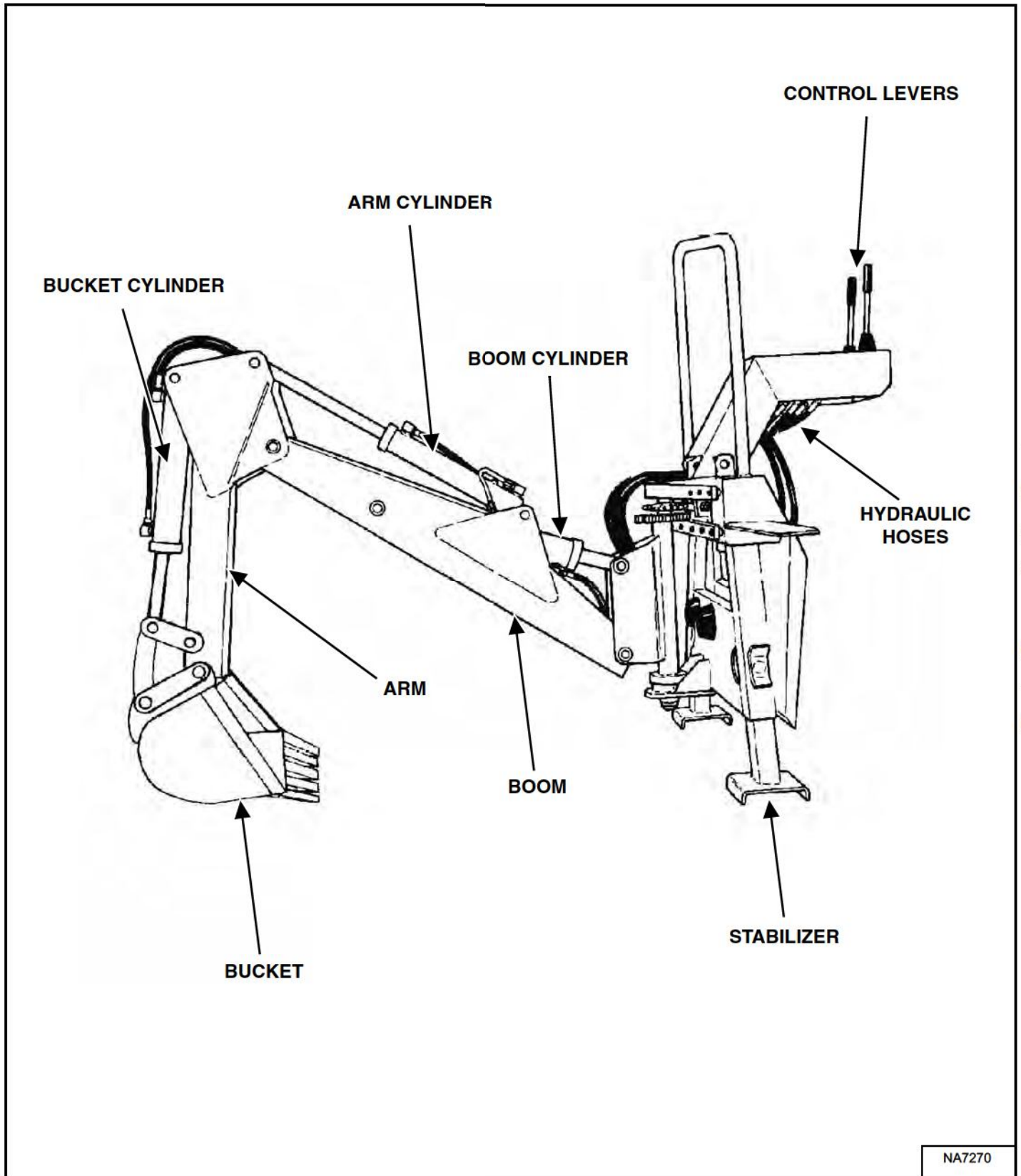
Figure 5

The image shows a 'Bobcat Delivery Report Attachment' form. At the top left is the Bobcat logo. The form is divided into several sections. The top section contains fields for 'Machine Number' and 'Model Name'. Below this is a 'PRELIMINARY CHECKLIST' with various items to be checked, such as 'Operator's Manual', 'Safety Labels', 'Fluid Levels', etc. A prominent 'WARNING' section is located in the middle-left, featuring a triangle icon and text about safety. To the right of the warning is a list of 15 numbered items, likely related to safety or equipment checks. At the bottom of the form, there are lines for 'Dealer/Operator Signature' and 'Date'. A small box at the bottom right of the form contains the number 'NA7494'.

The delivery report [Figure 5] must be completed by the dealer and signed by the owner or operator when the Bobcat plate compactor is delivered. An explanation of the form must be given to the owner.

**ATTACHMENT IDENTIFICATION**

**(905B) Backhoe**

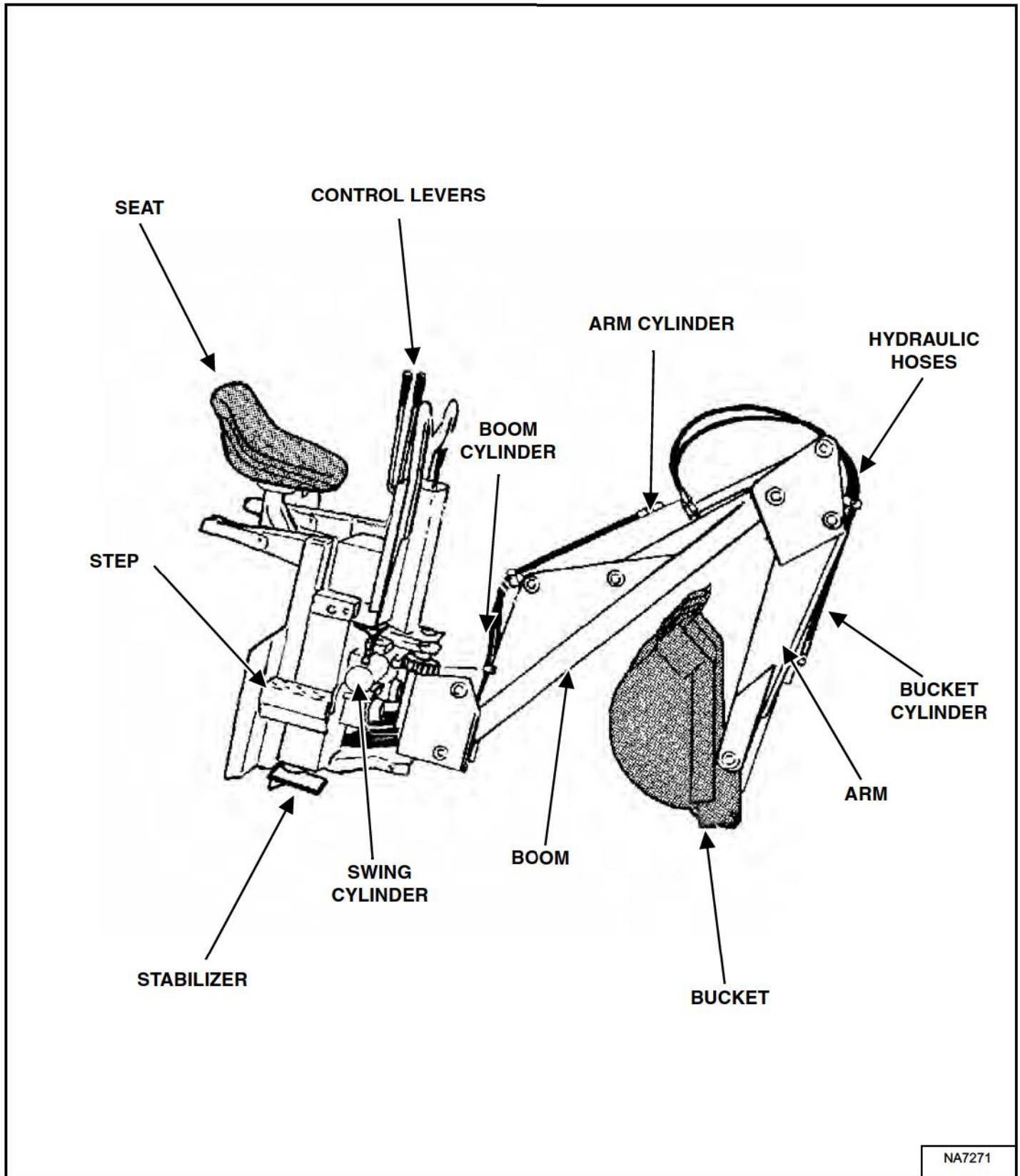


Dealer Copy -- Not for Resale

NA7270

ATTACHMENT IDENTIFICATION (CONT'D)

(907) Backhoe

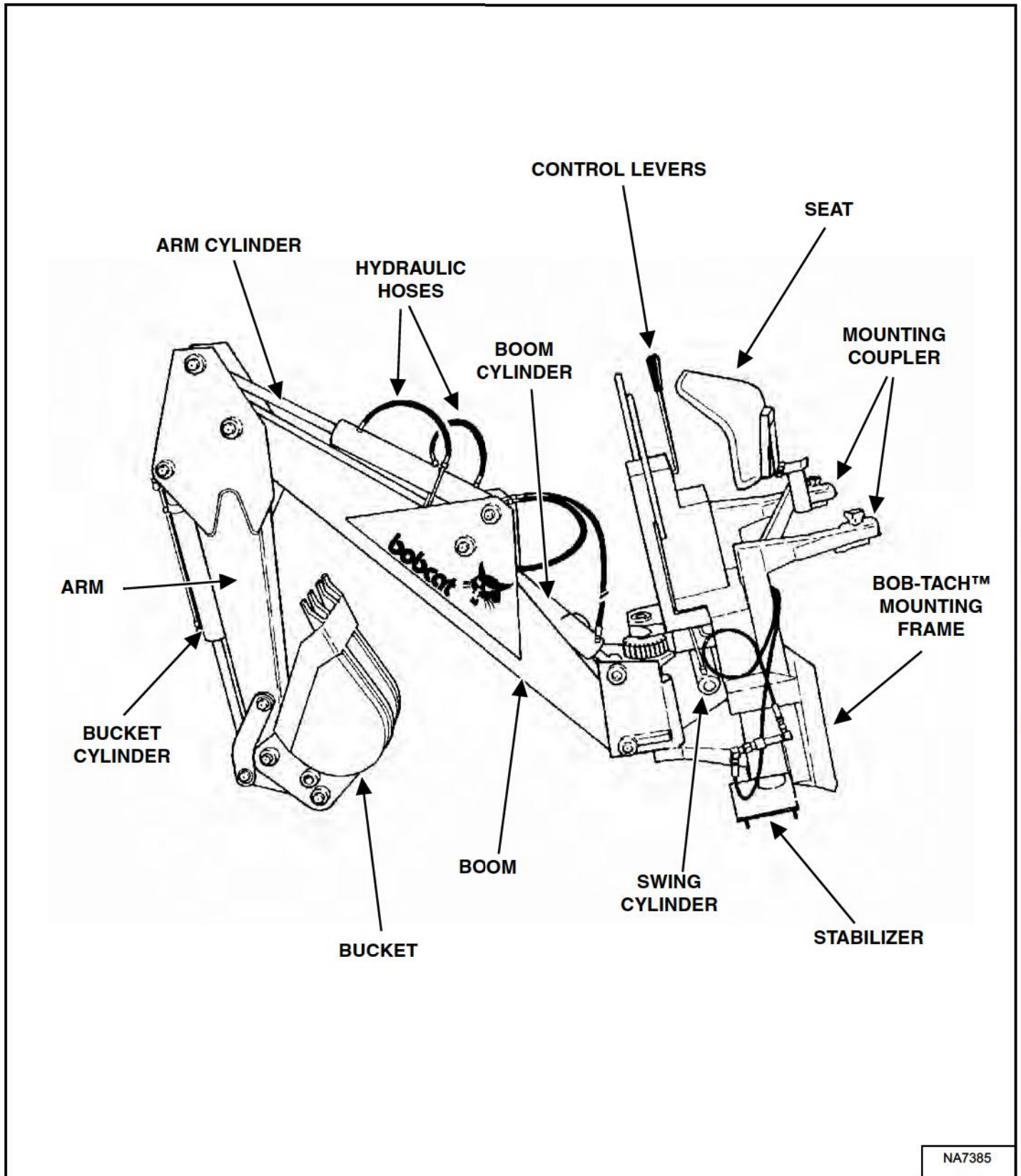


Dealer Copy -- Not for Resale



ATTACHMENT IDENTIFICATION (CONT'D)

(909 And 911) Backhoe

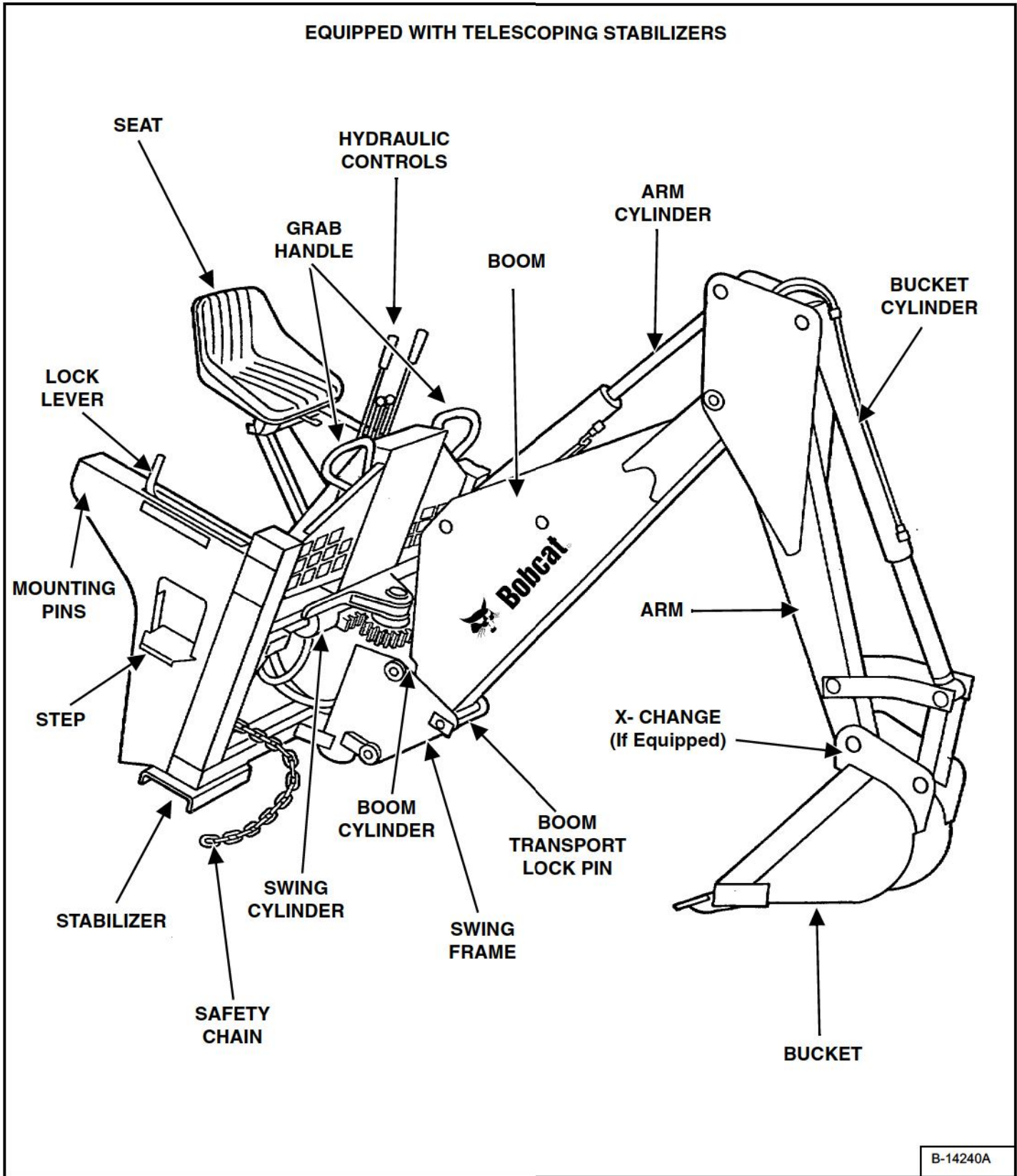


Dealer Copy -- Not for Resale

NA7385

ATTACHMENT IDENTIFICATION (CONT'D)

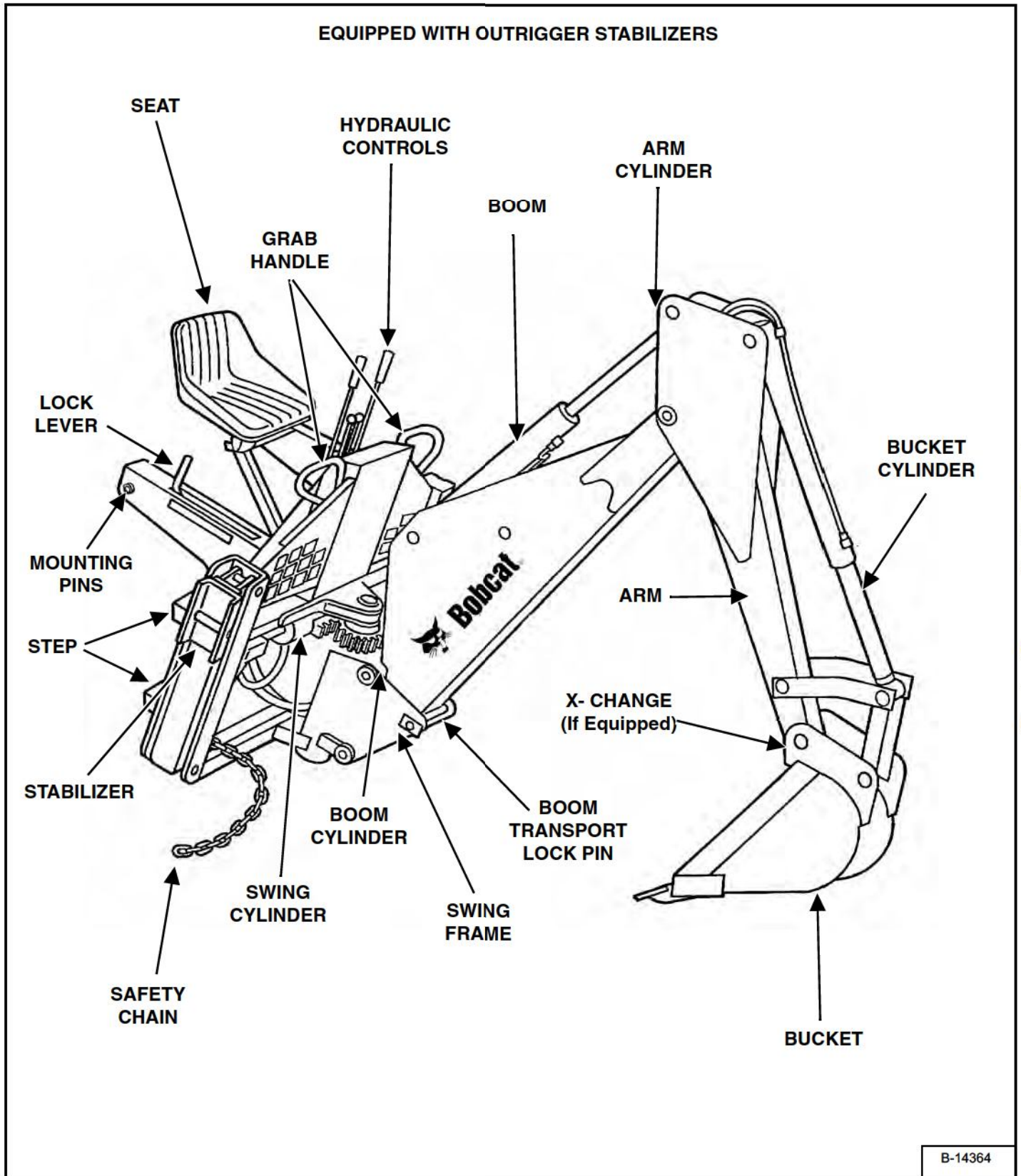
(607, 709 And 709FDS) Backhoe



Dealer Copy -- Not for Resale

ATTACHMENT IDENTIFICATION (CONT'D)

(607, 709 And 709FDS) Backhoe (Cont'd)



Dealer Copy -- Not for Resale

**Buy Now**



Our support email:

[ebooklibonline@outlook.com](mailto:ebooklibonline@outlook.com)