



# Bobcat®

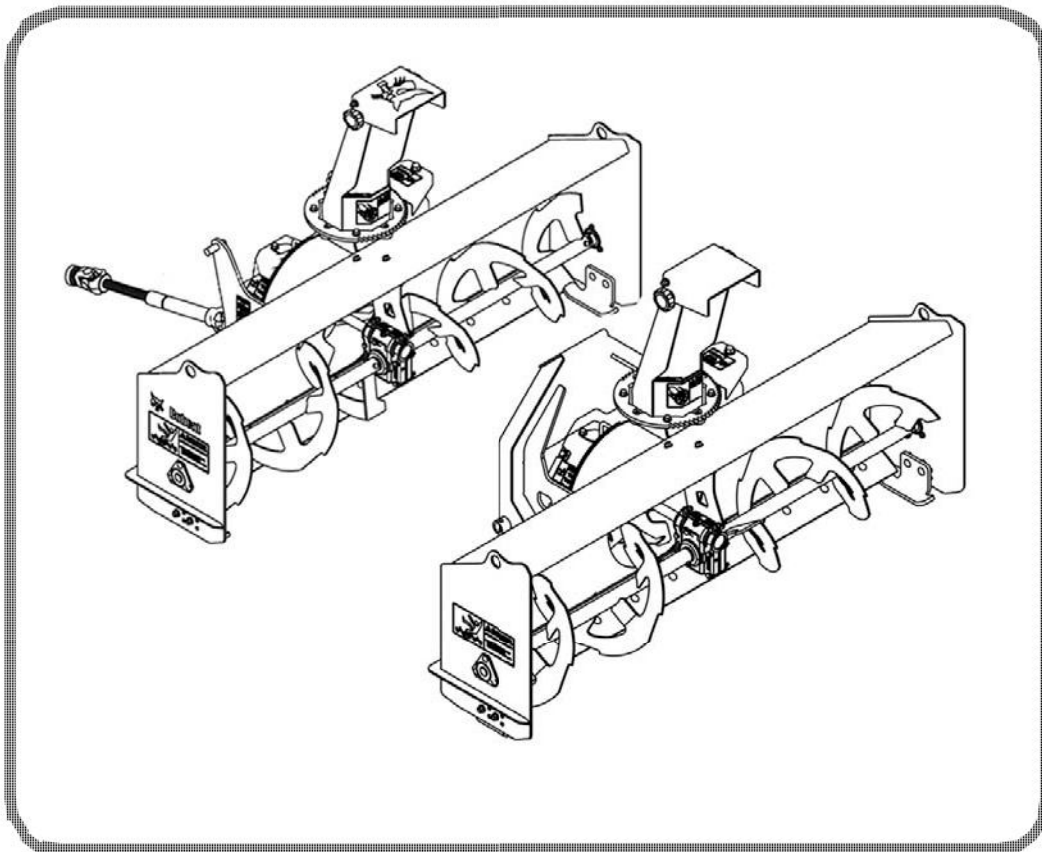
---

## Service Manual

# Front Mount Snowblower

---

(FCTSB49) S/N AHN900101 & Above  
(FCTSB62) S/N A5E000101 & Above  
(FMSB49) S/N AUPG00101 & Above  
(FMSB62) S/N AU4T00101 & Above



Dealer Copy -- Not for Resale



# MAINTENANCE SAFETY



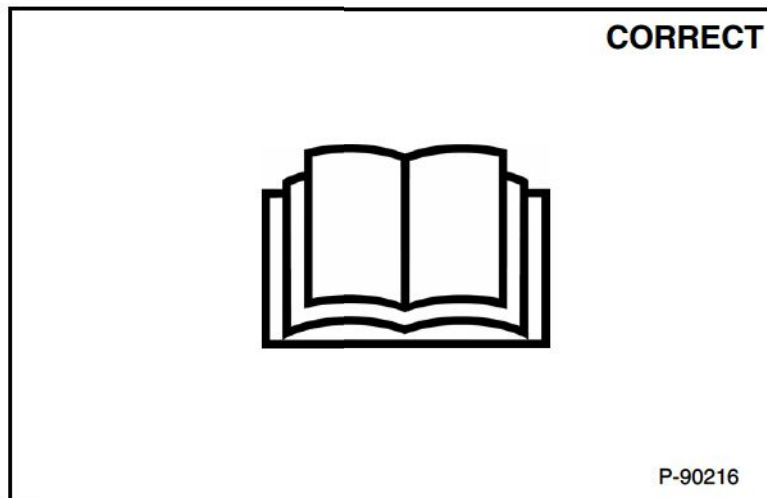
## WARNING









Instructions are necessary before operating or servicing machine. Read and understand the Operation & Maintenance Manual, Operator's Handbook and signs (decals) on machine. Follow warnings and instructions in the manuals when making repairs, adjustments or servicing. Check for correct function after adjustments, repairs or service. Untrained operators and failure to follow instructions can cause injury or death.

W-2003-0807



**Safety Alert Symbol:** This symbol with a warning statement, means: "Warning, be alert! Your safety is involved!" Carefully read the message that follows.



-  **Never service attachments / implements without instructions. See Operation & Maintenance Manual and Attachment / Implement Service Manual.**
-  **Cleaning and maintenance are required daily.**
-  **Never service or adjust attachment / implement with the engine running unless instructed to do so in manual.**
-  **Always lower the attachment / implement to the ground before lubricating or servicing.**
-  **Avoid contact with leaking hydraulic fluid or diesel fuel under pressure. It can penetrate skin or eyes.**
-  **Stop, cool and clean engine of flammable materials before checking fluids.**
-  **Keep body, loose objects and clothing away from moving parts, electrical contacts, hot parts and exhaust.**
-  **Safety glasses are needed for eye protection from electrical arcs, battery acid, compressed springs, fluids under pressure and flying debris or when tools are used. Use eye protection approved for type of welding.**

Dealer Copy -- Not for Resale

MSW30-0409

## CONTENTS

SAFETY AND MAINTENANCE .....	10-01
HYDRAULIC SYSTEM .....	20-01
MAINFRAME .....	30-01
SPECIFICATIONS .....	SPEC-01
ALPHABETICAL INDEX .....	INDEX-01

Dealer Copy -- Not for Resale

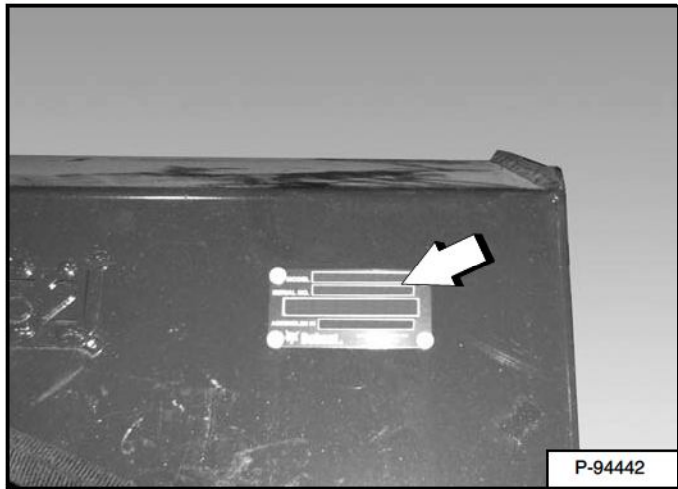
## FOREWORD

SERIAL NUMBER LOCATION .....	1-7
Attachment Serial Number .....	1-7
DELIVERY REPORT .....	1-7
ATTACHMENT IDENTIFICATION .....	1-8
FCTSB49 AND FCTSB62 .....	1-8
FMSB49 AND FMSB62 .....	1-9

## SERIAL NUMBER LOCATION

### Attachment Serial Number

Figure 1



Always use the serial number [Figure 1] of the front mount snowblower when requesting service information or when ordering parts. Early or later models (identification made by serial number) may use different parts, or it may be necessary to use a different procedure in doing a specific service operation.

## DELIVERY REPORT

Figure 2

NA7494

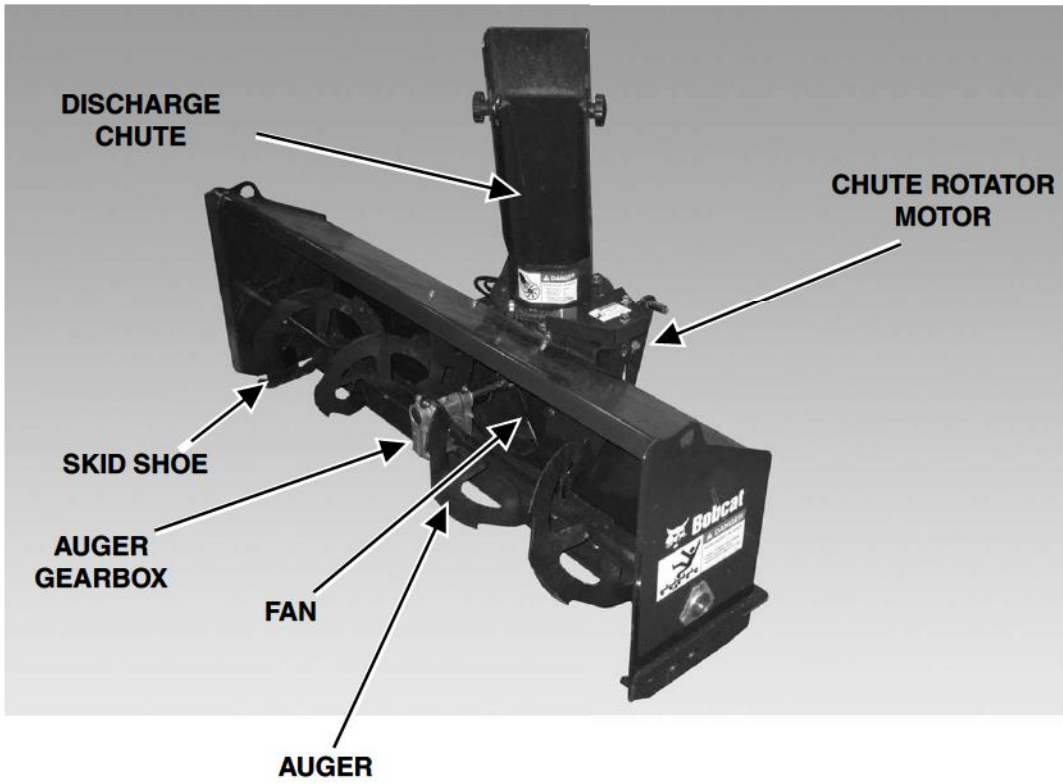
The delivery report [Figure 2] must be completed by the dealer and signed by the owner or operator when the front mount snowblower is delivered. An explanation of the form must be given to the owner.

Dealer Copy -- Not for Resale

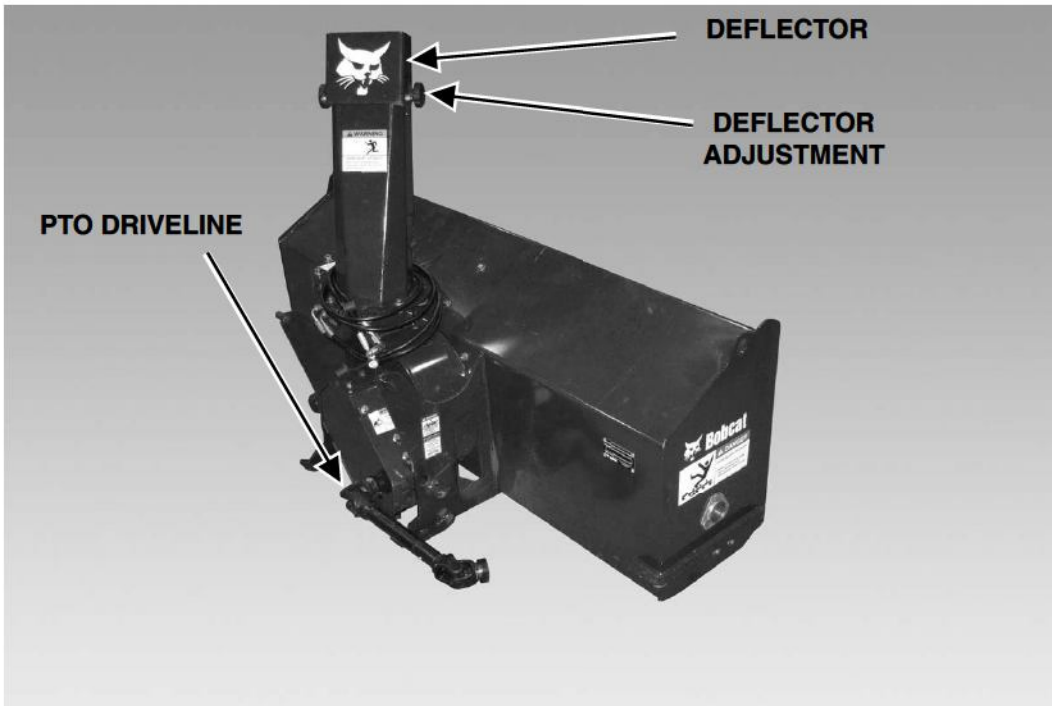


**ATTACHMENT IDENTIFICATION**

**FCTSB49 AND FCTSB62**



P-94586

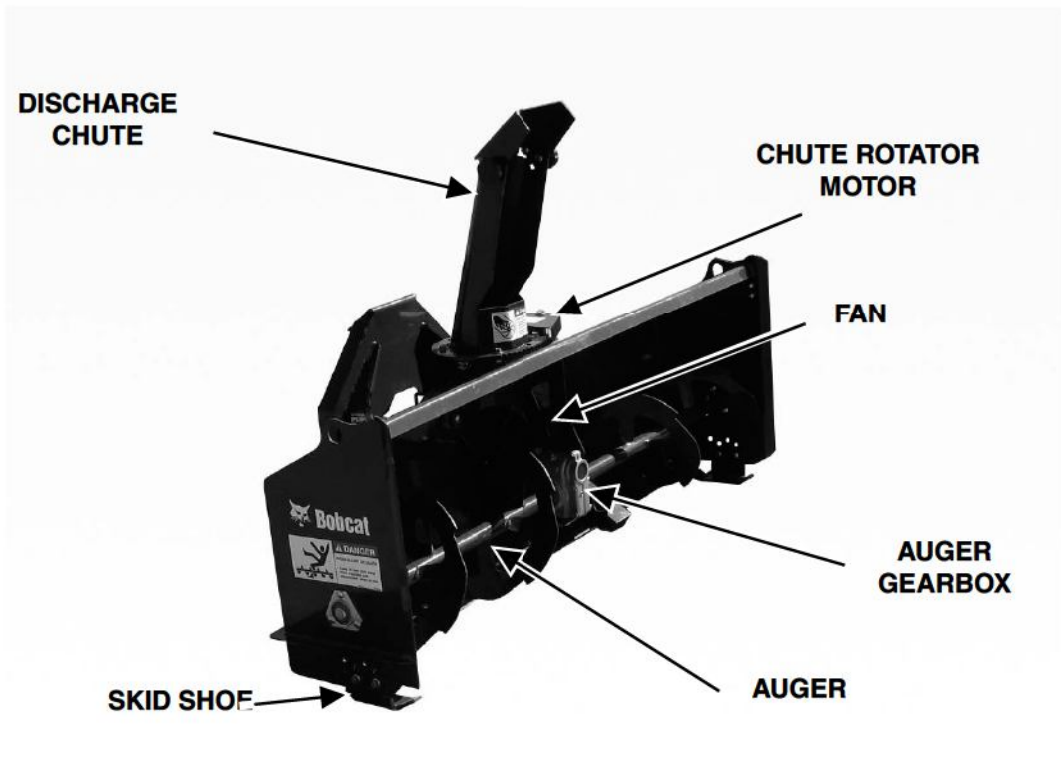


P-94585

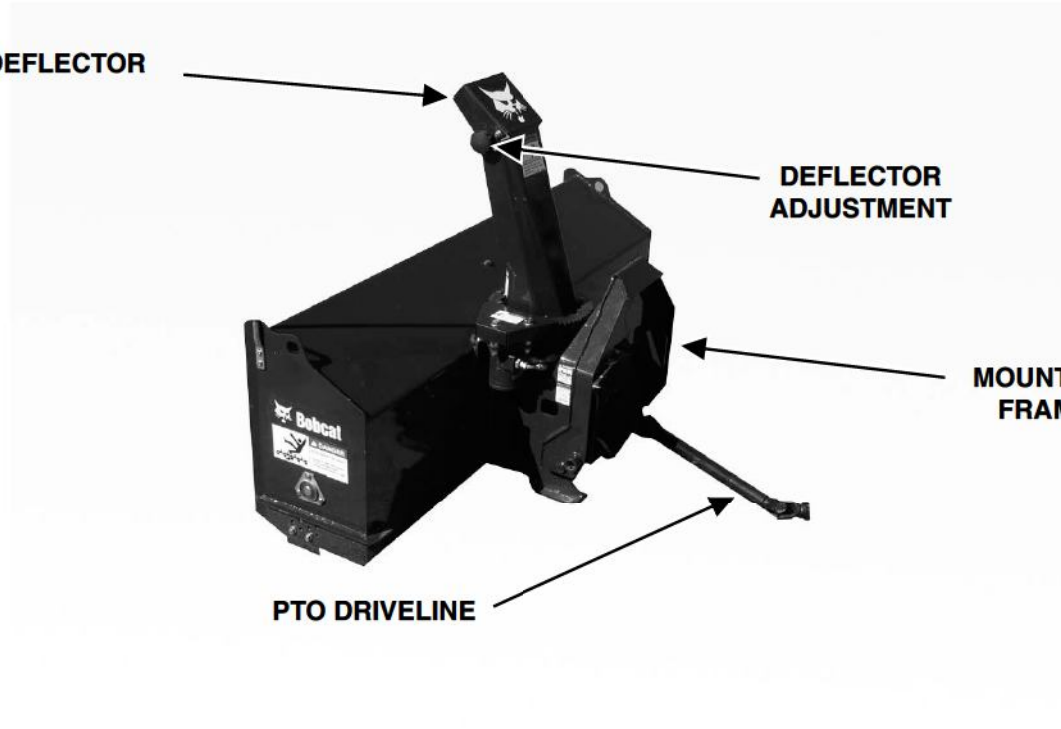
Dealer Copy -- Not for Resale

ATTACHMENT IDENTIFICATION (CONT'D)

FMSB49 AND FMSB62



P108024



P108022

Dealer Copy -- Not for Resale

## SAFETY AND MAINTENANCE


TROUBLESHOOTING .....	10-10-1
Chart .....	10-10-1
SERVICE SCHEDULE .....	10-20-1
Chart .....	10-20-1
DAILY INSPECTION .....	10-30-1
Attachment Mounting Frame (FCTSB49 And FCTSB62) .....	10-30-1
Attachment Mounting Frame (FMSB49 And FMSB62) .....	10-30-1
Quick Hitch .....	10-30-2
Front Mount Frame .....	10-30-3
Front-PTO Shaft Assembly (Compact Tractor Only) .....	10-30-4
PTO Driveline .....	10-30-4
ATTACHMENT STORAGE AND RETURN TO SERVICE .....	10-40-1
Storage .....	10-40-1
Return To Service .....	10-40-1
REGULAR MAINTENANCE ITEMS .....	10-50-1
Auger Gearbox Fluid .....	10-50-1
Skid Shoe .....	10-50-2
Cutting Edge .....	10-50-2
Shear Bolt Replacement .....	10-50-3
Cleaning The Front Mount Snowblower .....	10-50-3
LUBRICATING THE ATTACHMENT .....	10-60-1
Lubrication Locations .....	10-60-1
Auger Gearbox Fluid Change .....	10-60-3

Dealer Copy -- Not for Resale



## TROUBLESHOOTING

### Chart

 <b style="font-size: 24pt; margin-left: 10px;">WARNING</b>	<p>Instructions are necessary before operating or servicing machine. Read and understand the Operation &amp; Maintenance Manual, Operator's Handbook and signs (decals) on machine. Follow warnings and instructions in the manuals when making repairs, adjustments or servicing. Check for correct function after adjustments, repairs or service. Untrained operators and failure to follow instructions can cause injury or death.</p> <p style="text-align: right; font-size: 10pt;">W-2003-0807</p>
--	---

Use the following troubleshooting chart to locate and correct problems which most often occur with the attachment.


PROBLEM	CAUSE	CORRECTION
Snowblower does not operate.	Damaged or incorrect attachment of the PTO shaft.	Check connection, connect properly, repair or replace.
	Auger shear bolt has sheared / missing.	Replace bolt.
	Fan shear bolt has sheared or missing.	Replace bolt.
Snowblower cuts too low / too high.	Skid shoes out of adjustment.	Raise or lower skid shoes as needed.
	Top link set wrong.	Adjust top link as needed.
Chute does not rotate.	Damaged quick couplers.	Replace quick couplers.
	Damaged hydraulic motor.	Repair or replace.
	Worn teeth on gear (motor or chute).	Adjust gear mesh by adjusting hydraulic motor placement or replace gears.
	Orifice plugged.	Remove the orifice fittings and clean the fittings and reinstall. If problem still persists, replace orifice.

Dealer Copy -- Not for Resale

## SERVICE SCHEDULE

### Chart

Maintenance work must be done at regular intervals. Failure to do so will result in excessive wear and early failures. The service schedule is a guide for correct maintenance of the Bobcat product.

 <b>WARNING</b>	<p>Instructions are necessary before operating or servicing machine. Read and understand the Operation &amp; Maintenance Manual, Operator's Handbook and signs (decals) on machine. Follow warnings and instructions in the manuals when making repairs, adjustments or servicing. Check for correct function after adjustments, repairs or service. Untrained operators and failure to follow instructions can cause injury or death.</p> <p style="text-align: right;">W-2003-0807</p>
--	--

SERVICE SCHEDULE		FREQUENCY			
ITEM	SERVICE REQUIRED	DAILY	2 HOURS	10 HOURS	50 HOURS/ YEARLY
Attachment Frame Inspection	Inspect for cracks or damage.				
Skid Shoe Inspection	Inspect for excess wear, cracks, damage and loose hardware.				
Check Chute Rotation Gears	Adjust and / or replace gears as required.				
Grease PTO Shaft	Grease PTO shaft and knuckles.				
Lubricate the Drive Chain	Lubricate the drive chain with Bobcat chain lubricant. See your Bobcat dealer.				
Replace Auger Gearbox Lube	Drain and replace fluid (Approx. 0,3 L (10.24 U.S. fl oz) of EP80W90)			[1]	

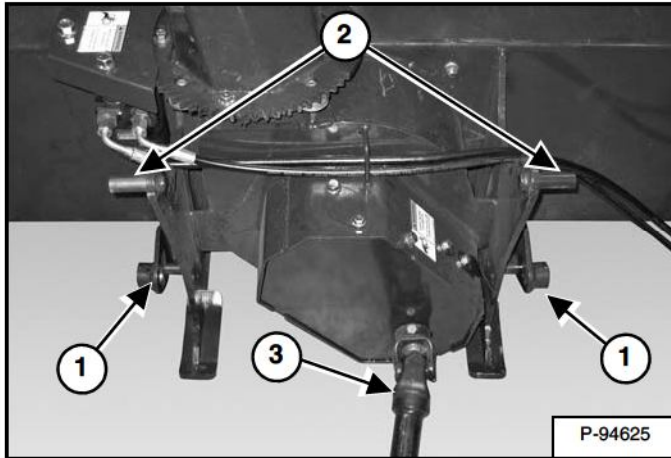
[1] Service at first 10 hours and thereafter as scheduled.

Dealer Copy -- Not for Resale

## DAILY INSPECTION

### Attachment Mounting Frame (FCTSB49 And FCTSB62)

Figure 10-30-1



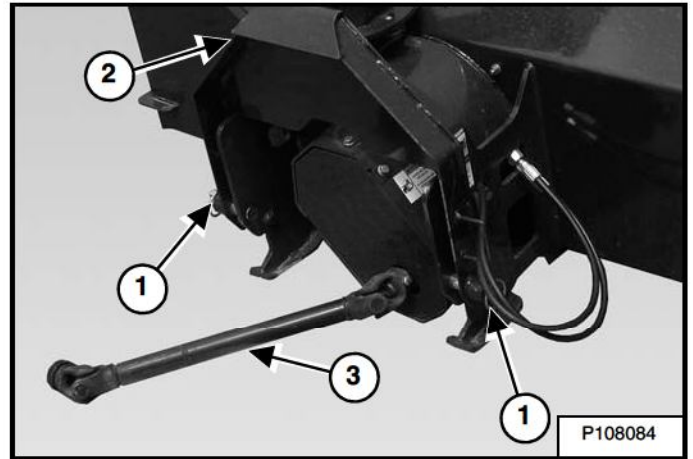
Inspect the lower mounts and lower mounting pins (Item 1) and upper mounts and pins (Item 2), along with all welds on the attachment for wear and damage each time the attachment is removed from the compact tractor. Inspect the input shaft and PTO driveline (Item 3) [Figure 10-30-1] for damage.

Check for damaged or missing decals. Replace if necessary.

Replace any worn or damaged parts immediately.

### Attachment Mounting Frame (FMSB49 And FMSB62)

Figure 10-30-2



Inspect the mounting pins (Item 1), mounting flange (Item 2) and all welds on the attachment for wear and damage each time the attachment is removed from the machine. Inspect the input shaft and PTO driveline (Item 3) [Figure 10-30-2] for damage.

Check for damaged or missing decals. Replace if necessary.

Replace any worn or damaged parts immediately.

Dealer Copy -- Not for Resale



## DAILY INSPECTION (CONT'D)

### Quick Hitch

# WARNING

### AVOID INJURY OR DEATH

- Disengage the PTO, engage the parking brake or put the gear selector in park.
- Stop the engine and make sure all rotating components are completely stopped before connecting, disconnecting, adjusting or cleaning any PTO driven equipment.
- Always keep PTO shields and all guards in place when using PTO driven equipment.
- Disengage PTO for road travel.
- Keep hands, feet and clothing away.

W-2942-0812

# WARNING

### MACHINE ROLLAWAY CAN CAUSE SERIOUS INJURY OR DEATH

The parking brake must be engaged or the gear selector placed in PARK before leaving the operator's seat.

W-2943-0812

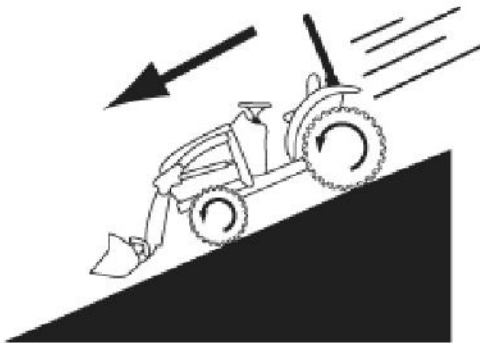
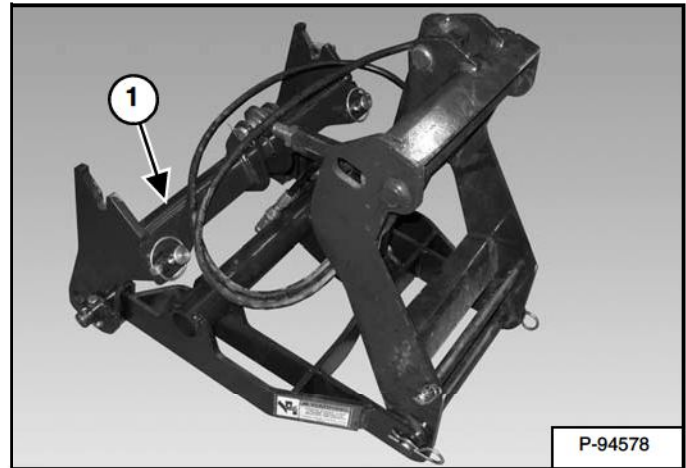


Figure 10-30-3



Inspect the quick hitch or mounting frame (Item 1) [Figure 10-30-3] and all welds on the attachment mount for wear and damage each time the attachment is removed from the machine.

Repair or replace damaged parts.



***Buy Now***



Our support email:

[ebooklibonline@outlook.com](mailto:ebooklibonline@outlook.com)