

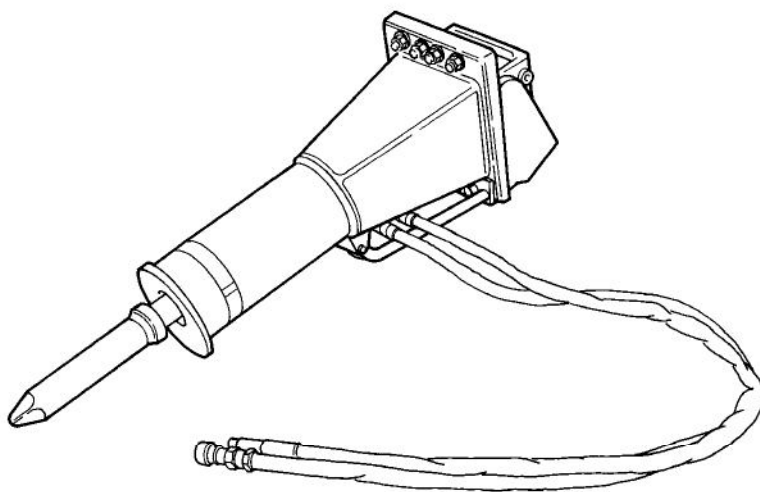
Hydraulic Breaker



Bobcat®

Service Manual

HB1380 S/N AC4500101 & Above
HB2380 S/N A5T600101 & Above



Dealer Copy --- Not for Resale

ALPHABETICAL INDEX

ATTACHMENT DELIVERY REPORT	III
BREAKER	20-20
BREAKER HOUSING	20-10
BREAKER LUBRICATION.....	10-50
HOSE INSTALLATION	10-10
IDENTIFICATION AND MACHINE SIGN (DECALS)	IV
INSPECTION	10-60
MOUNTING FRAME INSTALLATION	10-10
NITROGEN CHAMBER	10-30
SERIAL NUMBER LOCATIONS	III
SPECIFICATIONS (HB2380).....	SPEC-10
STORAGE PROCEDURES	10-70
TOOL	10-40
TROUBLESHOOTING.....	10-20

CONTENTS

**SAFETY &
MAINTENANCE**

**MAIN
FRAME**

SPECIFICATIONS

DELIVERY REPORT	III
SERIAL NUMBER LOCATIONS	III
PARTS IDENTIFICATION AND MACHINE SIGNS (DECALS)	IV
SAFETY & MAINTENANCE	10-01
MAIN FRAME	20-01
SPECIFICATIONS	SPEC-01

Dealer Copy -- Not for Resale

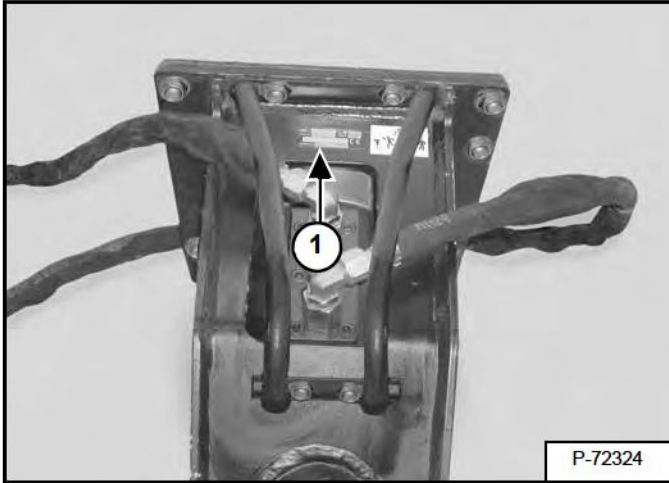
**CALIFORNIA
PROPOSITION 65 WARNING**
Diesel engine exhaust and some of its
constituents are known to the State of California
to cause cancer, birth defects and other
reproductive harm.

SERIAL NUMBER LOCATIONS

Hydraulic Breaker Serial Number

Always use the serial number of the breaker when requesting service information or when ordering parts. Early or later models (identification made by serial number) may use different parts, or it may be necessary to use a different procedure in doing a specific service operation.

Figure 1



The breaker serial number plate (Item 1) [Figure 1], is located on the frame.

DELIVERY REPORT

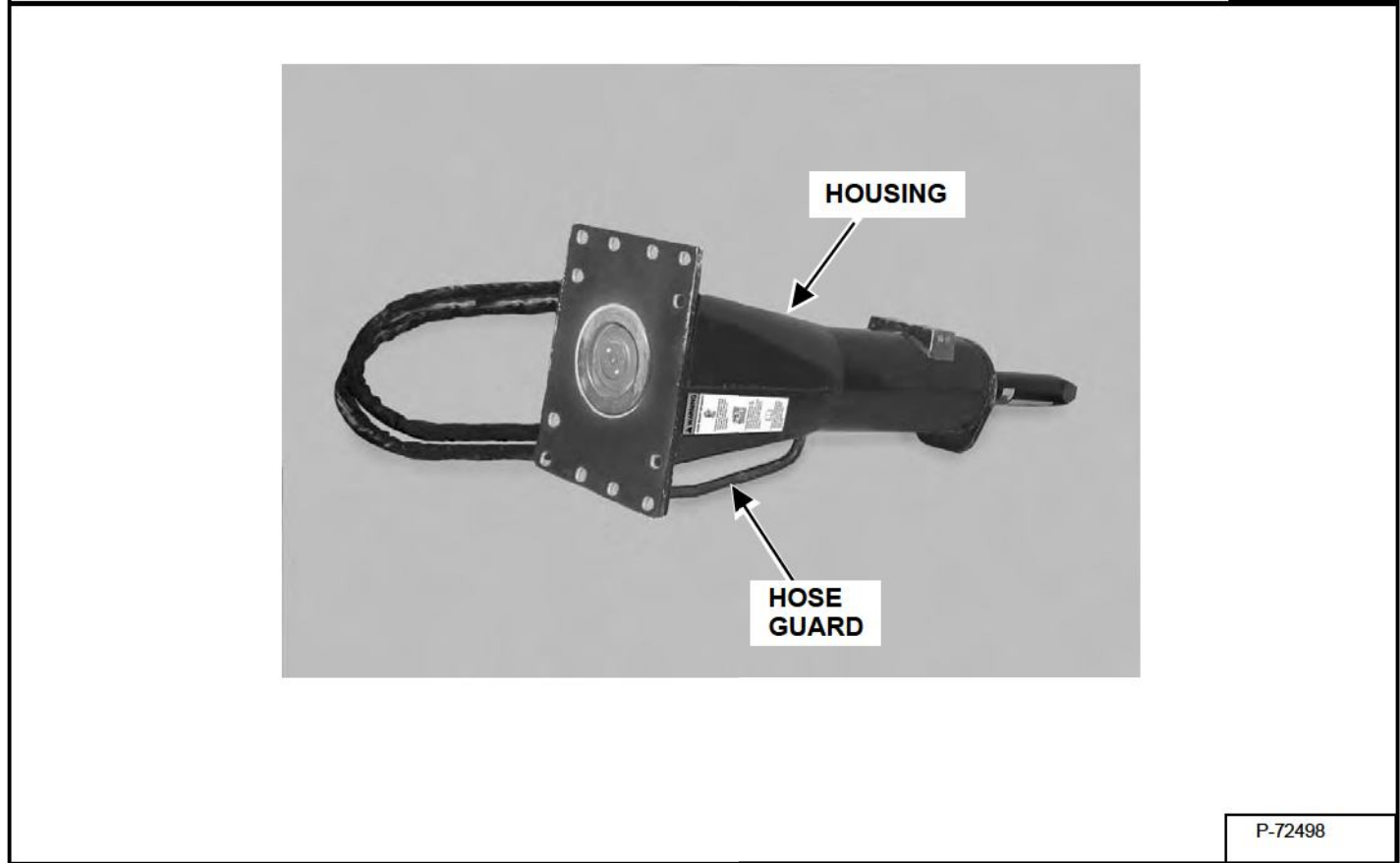
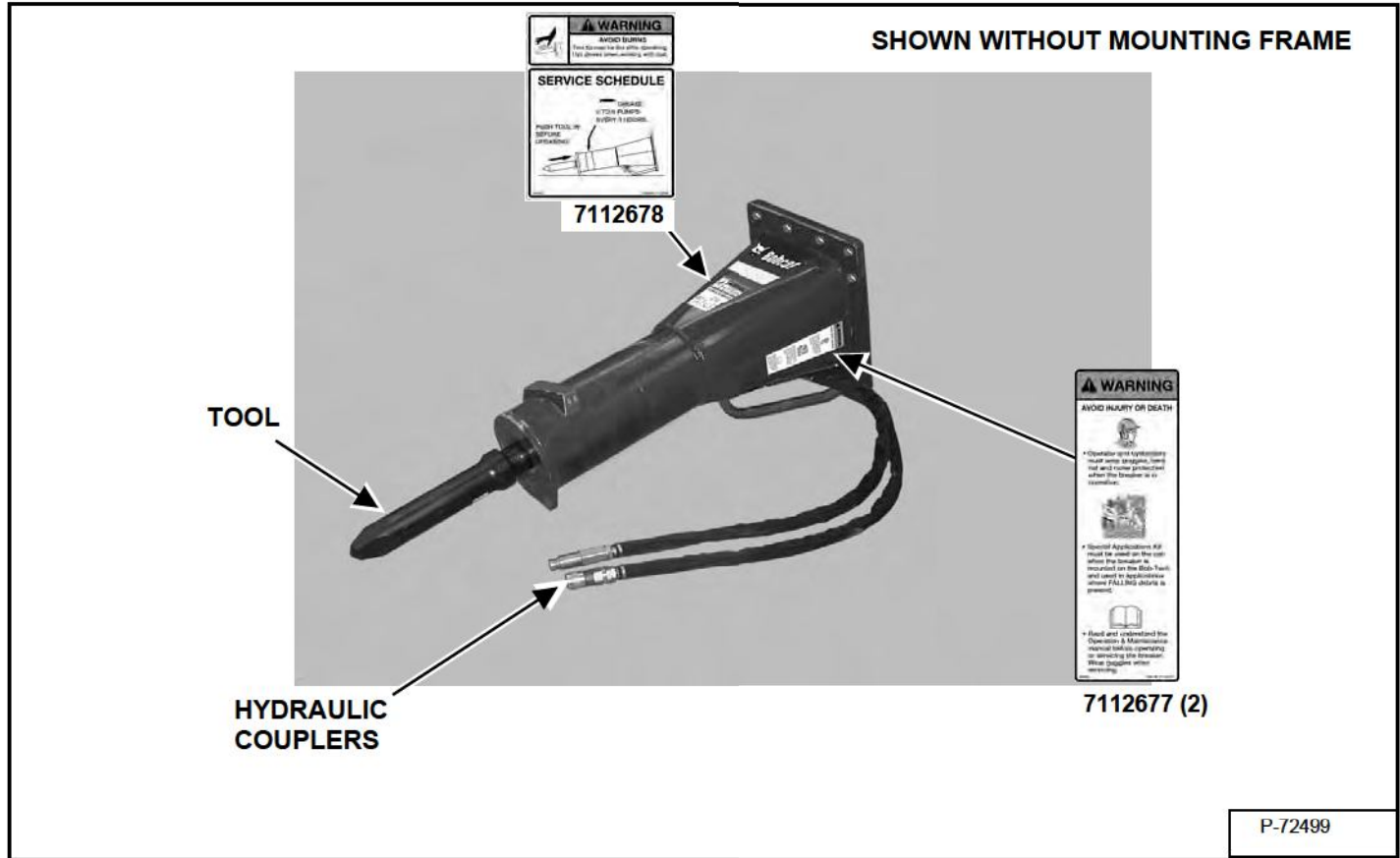
Figure 2

The Delivery Report must be filled out by the dealer and signed by the owner or operator when the Bobcat Hydraulic Breaker is delivered. An explanation of the form must be given to the owner. Make sure it is filled out completely [Figure 2].

Dealer Copy -- Not for Resale

PARTS IDENTIFICATION AND MACHINE SIGNS (DECALS)

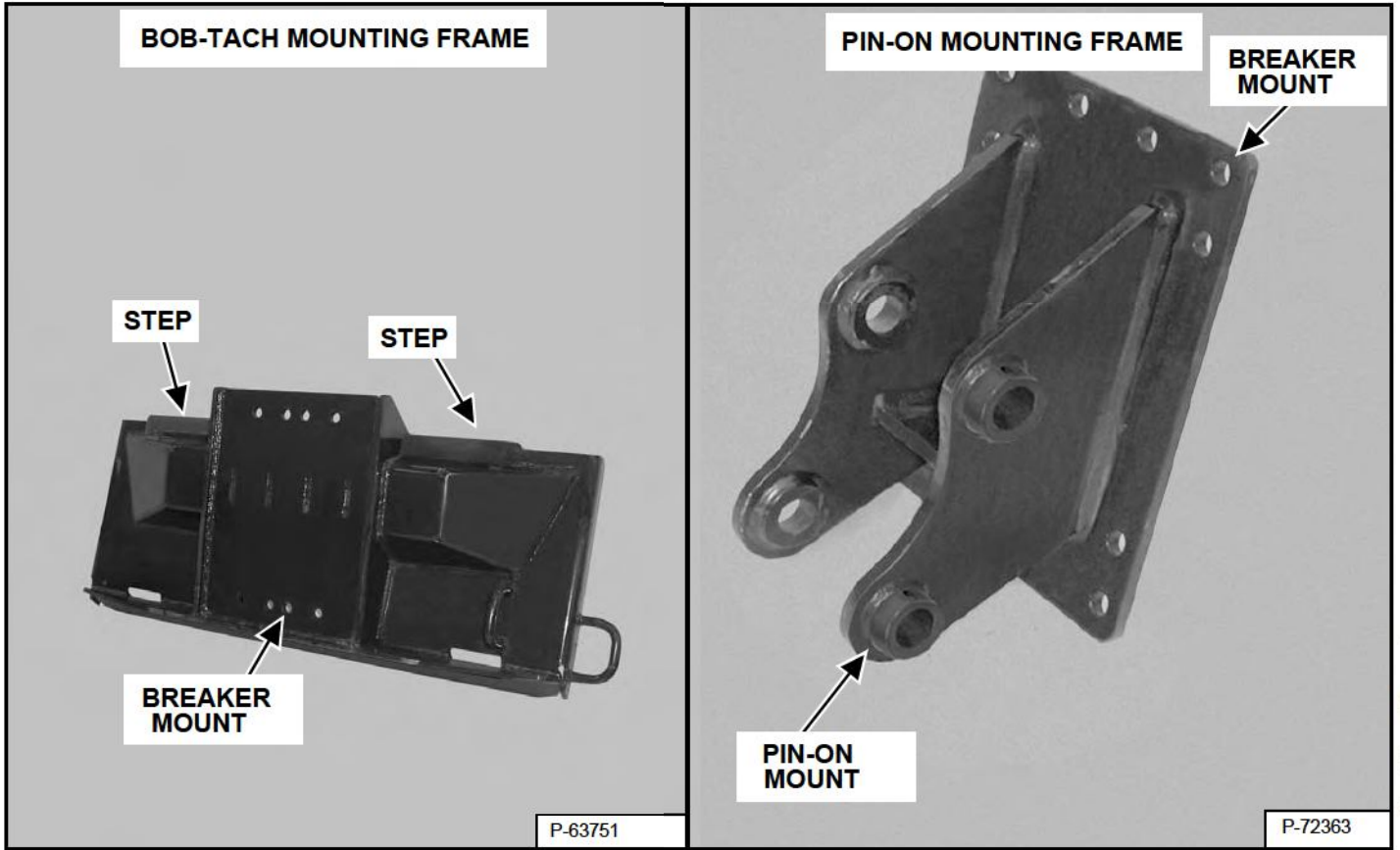
Breaker



Dealer Copy -- Not for Resale

IDENTIFICATION AND MACHINE SIGNS (DECALS) (CONT'D)

Mounting Frame Configurations



Dealer Copy -- Not for Resale

BREAKER LUBRICATION 10-50-1

INSPECTION 10-60-1

 Bob-Tach Mount Inspection 10-60-3

 Hand Lever Bob-Tach Inspection 10-60-1

 Power Bob-Tach Inspection 10-60-2

 Loader Quick Coupler Inspection 10-60-3

 Weekly Inspection 10-60-4

MOUNTING FRAME INSTALLATION 10-10-1

 Hose Installation 10-10-2

 Installing The Bob-Tach Mounting Frame On The Breaker 10-10-1

 Installing The Pin-On Mounting Frame On The Breaker 10-10-1

NITROGEN CHAMBER 10-30-1

 Charging Information 10-30-1

 Charging The Nitrogen Chamber 10-30-5

 Checking The Nitrogen Chamber Charge Pressure 10-30-1

 Discharging The Nitrogen Chamber 10-30-4

 Troubleshooting Chart 10-30-1

STORAGE PROCEDURES 10-70-1

TOOL (HB1380) 10-41-1

 Installation 10-41-3

 Removal 10-41-1

TOOL (HB2380) 10-40-1

 Installation 10-40-2

 Removal 10-40-1

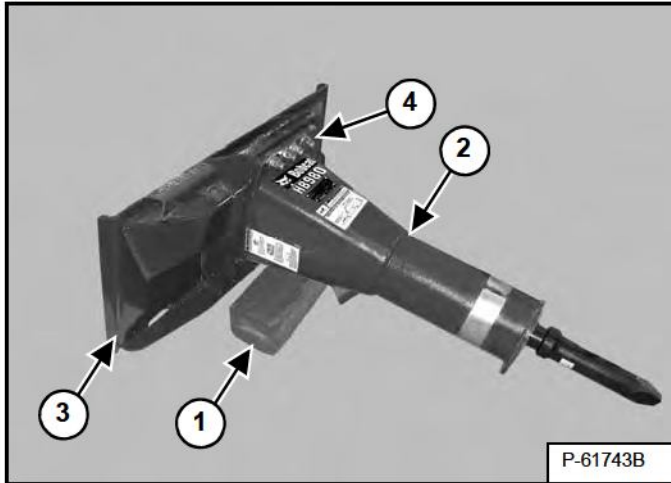
TROUBLESHOOTING 10-20-1

Dealer Copy -- Not for Resale

MOUNTING FRAME INSTALLATION

Installing The Bob-Tach Mounting Frame On The Breaker

Figure 10-10-1



Install a block of wood (Item 1) under the breaker (Item 2) [Figure 10-10-1].

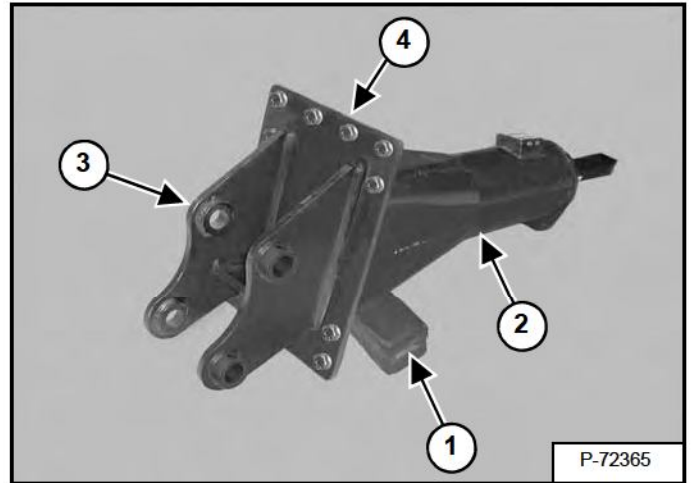
Install the Bob-Tach mounting frame (Item 3) on the breaker (Item 2) [Figure 10-10-1].

Install the six bolts (Item 4) [Figure 10-10-1] washers and nuts. On the bottom side of the mount, only install the four corner bolts, washers and nuts at this time. The additional two bolts, washers and nuts will be installed with the hose guard.

Tighten the bolts and nuts in a criss cross pattern to 270 ft. lbs. (370 N•m) torque.

Installing The Pin-On Mounting Frame On The Breaker

Figure 10-10-2



Install a block of wood (Item 1) under the breaker (Item 2) [Figure 10-10-2].

Install the Pin-On mounting frame (Item 3) on the breaker (Item 2) [Figure 10-10-2].

Install the six bolts (Item 4) [Figure 10-10-2] washers and nuts. On the bottom side of the mount, only install the four corner bolts, washers and nuts at this time. The additional two bolts, washers and nuts will be installed with the hose guard.

Tighten the bolts and nuts in a criss cross pattern to 270 ft. lbs. (370 N•m) torque.

Dealer Copy -- Not for Resale

MOUNTING FRAME INSTALLATION (CONT'D)

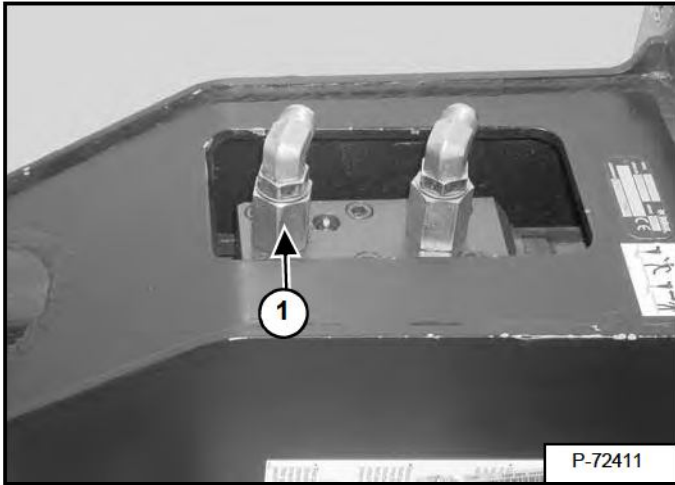
Hose Installation

For Model HB1380 and HB2380 When Used On A Loader

NOTE: The following photos show breaker model HB2380, the procedure is the same for the HB1380 breaker.

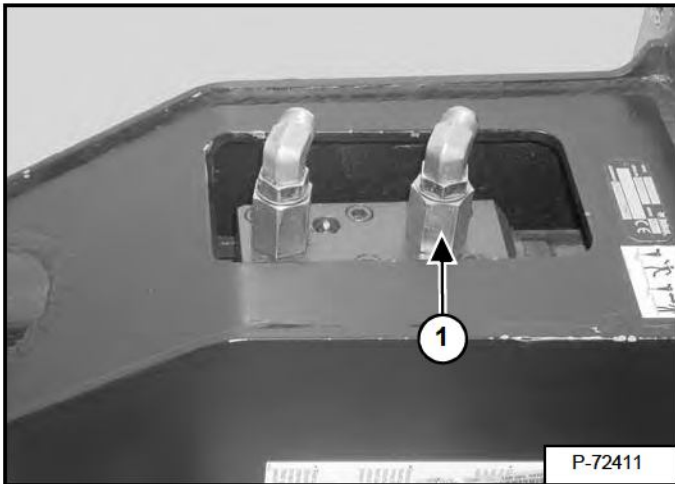
The breaker is supplied without the hoses installed on the breaker.

Figure 10-10-3



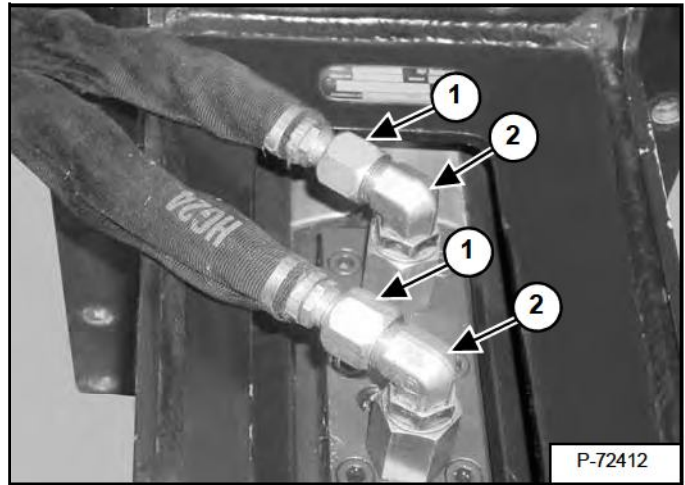
The port marked HP (Item 1) [Figure 10-10-3] will be connected to the breaker hose with the male quick coupler.

Figure 10-10-4



The port marked BP (Item 1) [Figure 10-10-4] will be connected to the breaker hose with the female quick coupler.

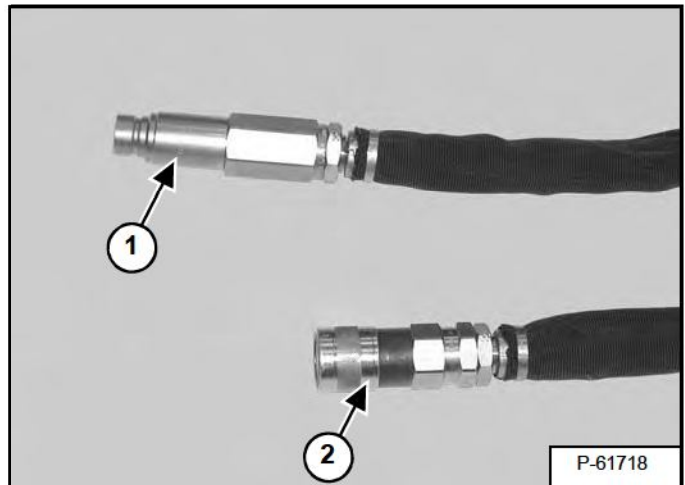
Figure 10-10-5



Install the two hoses (Item 1) on the 90° elbows (Item 2) [Figure 10-10-5].

Tighten the hoses to 85 ft.-lb. (63 N•m) torque.

Figure 10-10-6



Install the male coupler (Item 1) [Figure 10-10-6] on the hose that connects to the HP port.

Install the female coupler (Item 2) [Figure 10-10-6] on the hose that connects to the BP port.

NOTE: For additional quick coupler information, (See Loader Quick Coupler Inspection on Page 10-60-3.)

Buy Now



Our support email:

ebooklibonline@outlook.com