

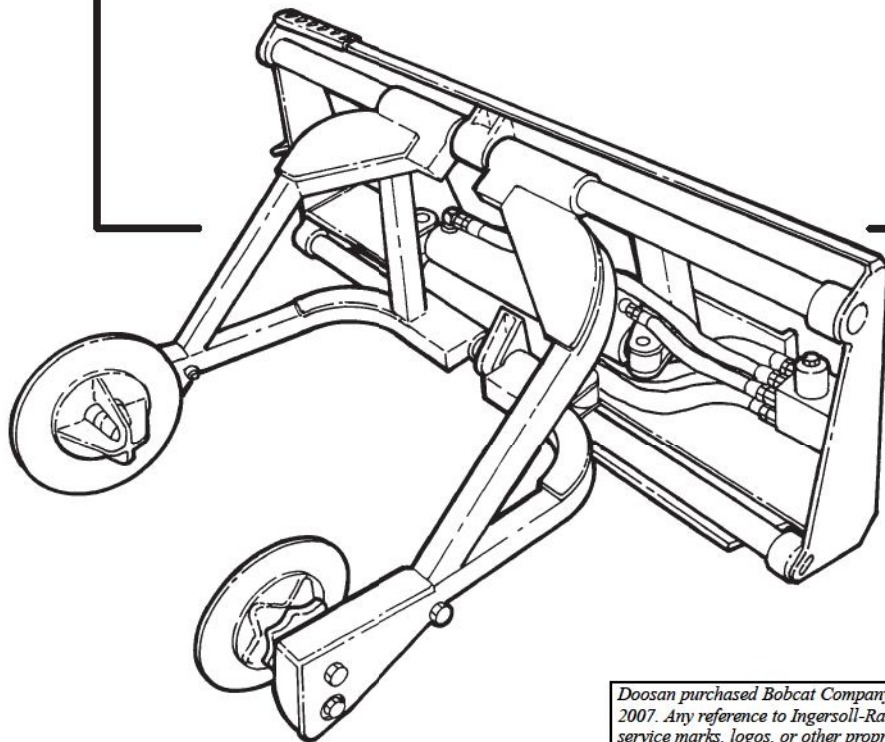


Bobcat®

**SOD
LAYER**

Service Manual

**S/N 749900101 & Above
S/N 231811101 & Above
S/N 679100101 & Above**



Doosan purchased Bobcat Company from Ingersoll-Rand Company in 2007. Any reference to Ingersoll-Rand Company or use of trademarks, service marks, logos, or other proprietary identifying marks belonging to Ingersoll-Rand Company in this manual is historical or nominative in nature, and is not meant to suggest a current affiliation between Ingersoll-Rand Company and Bobcat Company or the products of either.



Printed in U.S.A.

MAINTENANCE SAFETY



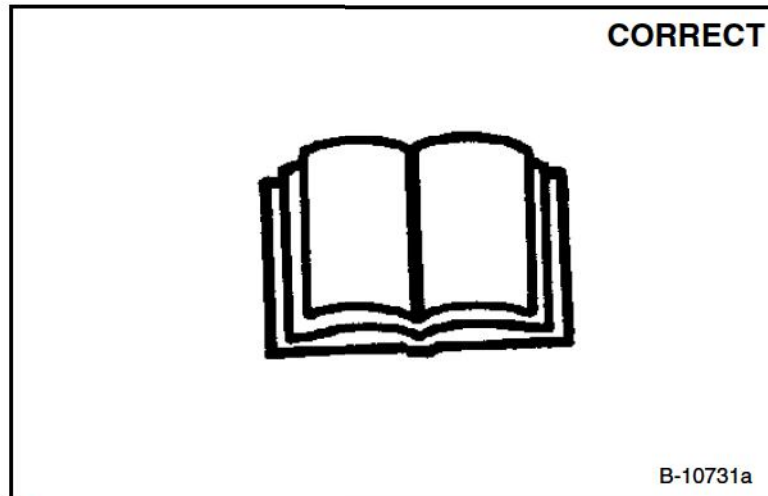
WARNING









Instructions are necessary before operating or servicing machine. Read and understand the Operation & Maintenance Manual, Operator's Handbook and signs (decals) on machine. Follow warnings and instructions in the manuals when making repairs, adjustments or servicing. Check for correct function after adjustments, repairs or service. Untrained operators and failure to follow instructions can cause injury or death.

W-2003-0903



Safety Alert Symbol: This symbol with a warning statement, means: "Warning, be alert! Your safety is involved!" Carefully read the message that follows.



-  Never service attachments without instructions. See Operation & Maintenance Manual and Attachment Service Manual.
-  Cleaning and maintenance are required daily.
-  Never service or adjust attachment with the engine running unless instructed to do so in manual.
-  Always lower the attachment to the ground before lubricating or servicing.
-  Avoid contact with leaking hydraulic fluid or diesel fuel under pressure. It can penetrate skin or eyes.
-  Stop, cool and clean engine of flammable materials before checking fluids.
-  Keep body, loose objects and clothing away from moving parts, electrical contacts, hot parts and exhaust.
-  Safety glasses are needed for eye protection from electrical arcs, battery acid, compressed springs, fluids under pressure and flying debris or when tools are used. Use eye protection approved for type of welding.

ALPHABETICAL INDEX

ARM BARS	10-30-1
CUTTER BLADE	10-10-1
ELECTRICAL SCHEMATIC	10-40-1
GLOSSARY OF HYDRAULIC SYMBOLS FOR ATTACHMENTS	10-40-1
HYDRAULIC CONTROL VALVE	10-20-1
HYDRAULIC CYLINDER	10-20-1
HUB	10-30-1
HYDRAULIC SCHEMATIC	10-40-1
IDENTIFICATION	iv.
INSPECTION	10-10-1
LUBRICATION	10-10-1
RELIEF VALVE	10-20-1
SERIAL NUMBER LOCATION	iii
SPECIFICATIONS	10-40-1
TROUBLESHOOTING	10-10-1

CONTENTS

SERIAL NUMBER LOCATIONiii
IDENTIFICATIONiii
PREVENTIVE MAINTENANCE	10-10-1
HYDRAULIC SYSTEM	10-20-1
MAIN FRAME	10-30-1
SPECIFICATIONS AND SCHEMATICS	10-40-1

**PREVENTIVE
MAINTENANCE**

**HYDRAULIC
SYSTEM**

MAIN FRAME

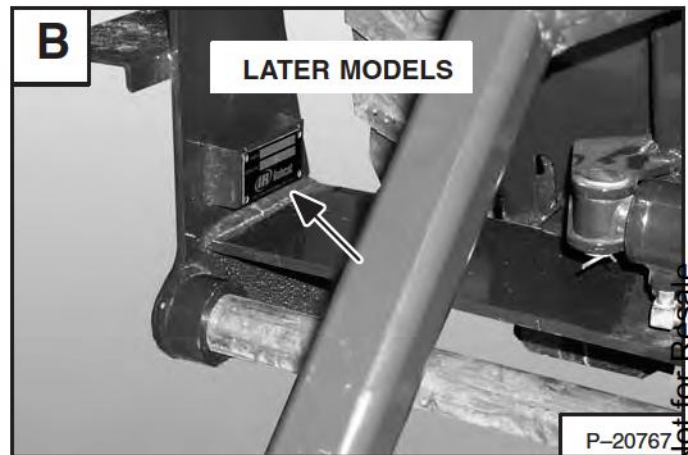
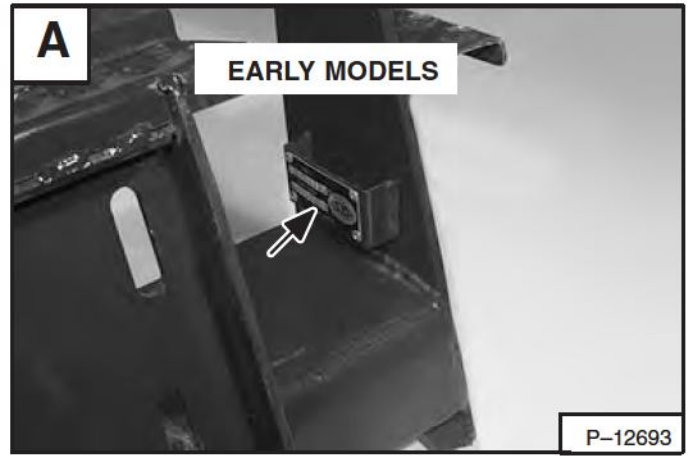
**SPECIFICATIONS
AND
SCHEMATICS**

**CALIFORNIA
PROPOSITION 65 WARNING**
Diesel engine exhaust and some of its
constituents are known to the State of California
to cause cancer, birth defects and other
reproductive harm.

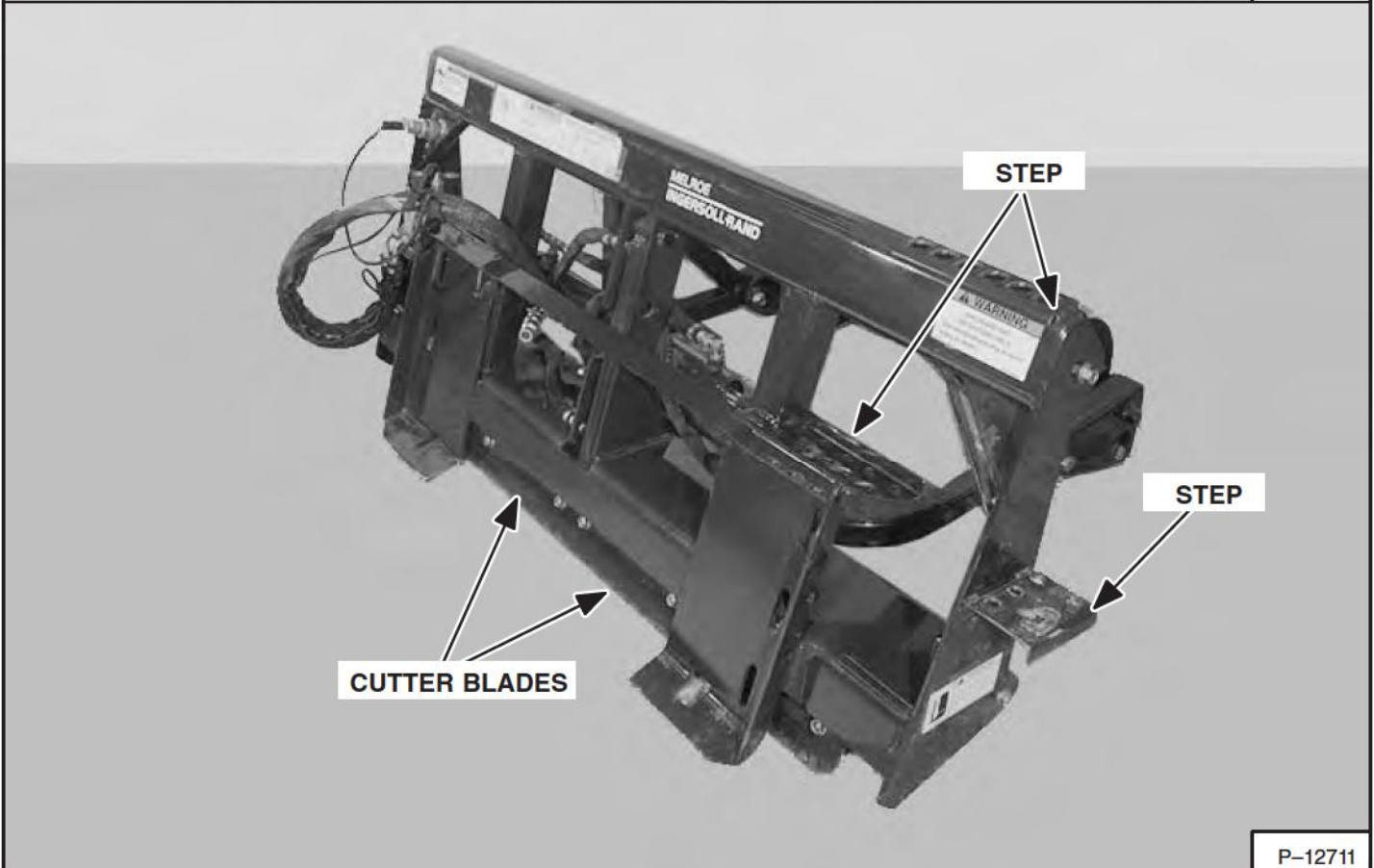
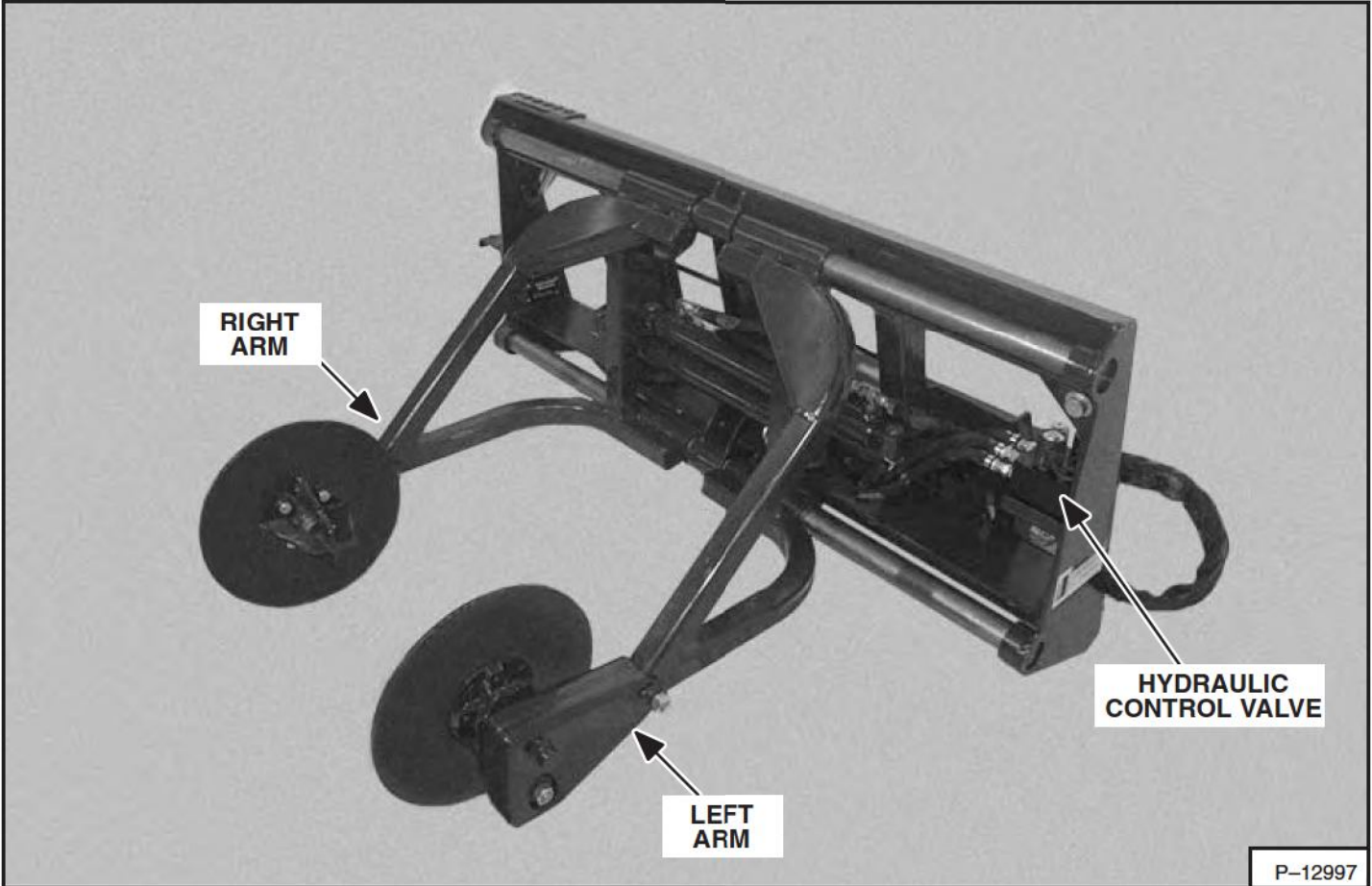
Dealer Copy -- Not for Resale

SERIAL NUMBER LOCATION

Always use the serial number of the Sod Layer when requesting service information or when ordering parts. Early or later models (identification made by serial number) may use different parts, or it may be necessary to use a different procedure in doing a specific service operation [A] & [B].

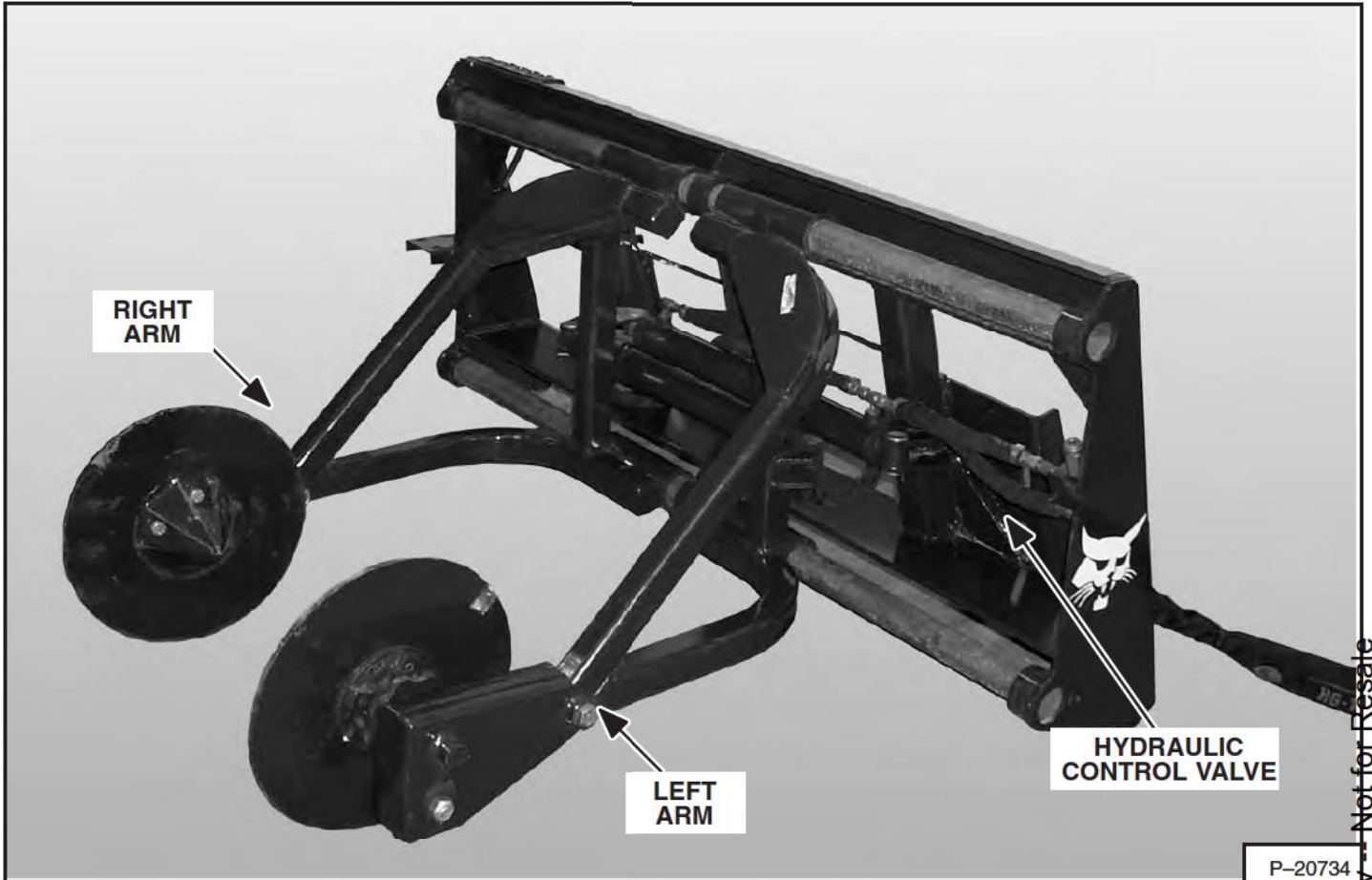


Dealer Copy -- Not for Resale

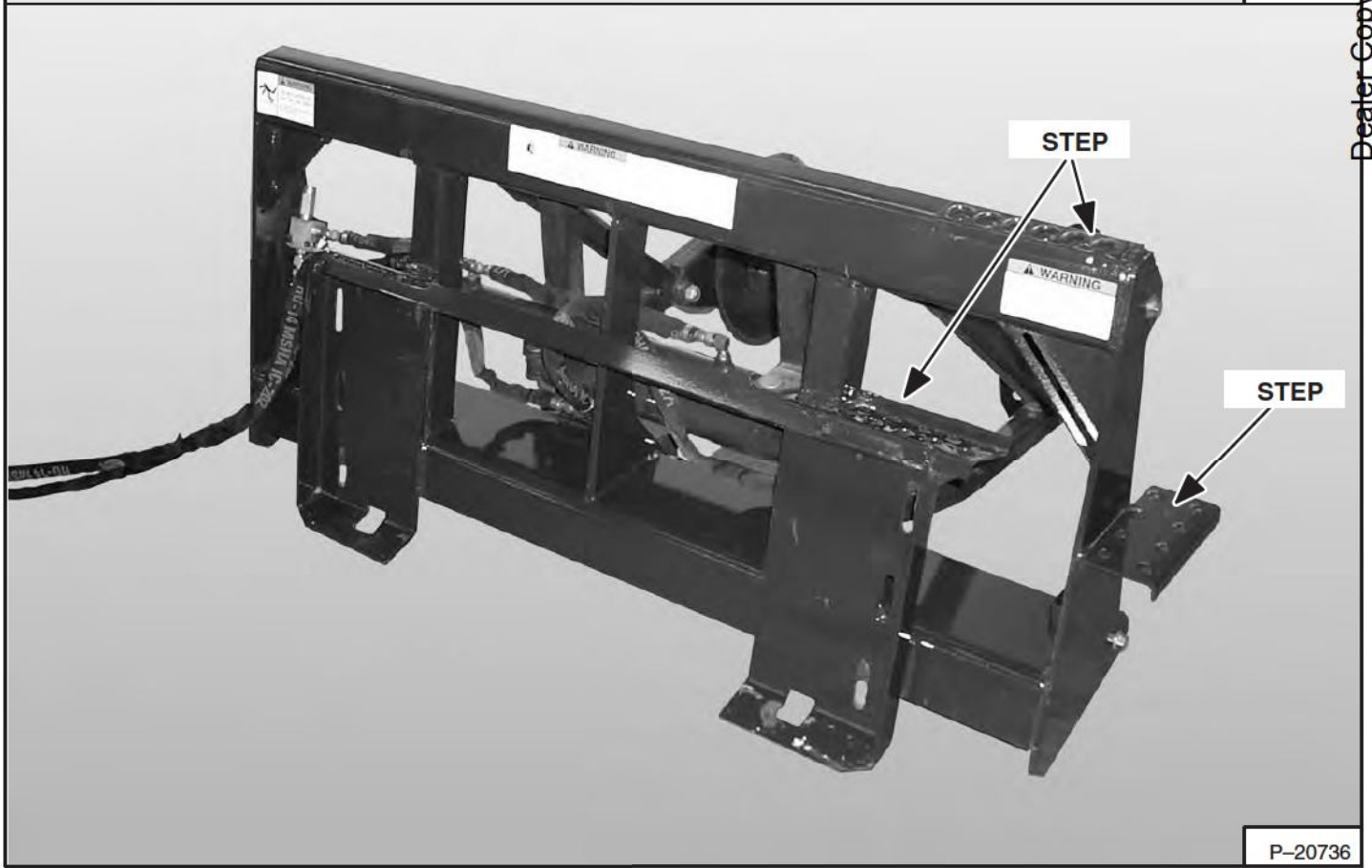


Dealer Copy -- Not for Resale

IDENTIFICATION (S/N 679100101 & Above)



P-20734



P-20736

Dealer Copy - Not for Resale

PREVENTIVE MAINTENANCE

**PREVENTIVE
MAINTENANCE**

	Page Number
INSPECTION	
Hand Lever Bob-Tach Inspection	10-10-5
Power Bob-Tach Inspection	10-10-6
Sod Layer Mount Inspection	10-10-4
LUBRICATION	10-10-4
TROUBLESHOOTING	10-10-3

Dealer Copy -- Not for Resale

TROUBLESHOOTING



Instructions are necessary before operating or servicing machine. Read and understand the Operation & Maintenance Manual, Handbook and signs (decals) on machine. Follow warnings and instructions in the manuals when making repairs, adjustments or servicing. Check for correct function after adjustments, repairs or service. Untrained operators and failure to follow instructions can cause injury or death.

W-2003-0199

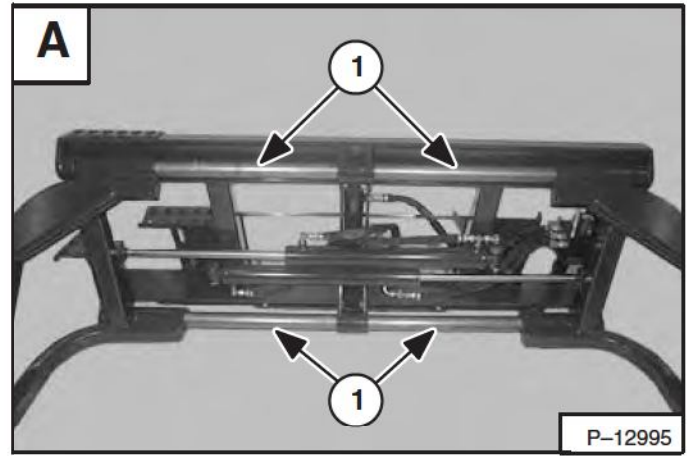
PROBLEM	CAUSE	CORRECTION
Sod Layer does not mount properly on the Bob-Tach.	Bob-Tach wedges are not fully retracted.	Retract Bob-Tach wedges.
	Mud, dirt or stones are lodged between the Bob-Tach and the Sod Layer.	Remove debris from between Bob-Tach and Sod Layer.
Cutter blade(s) does not cut. (S/N 231811101 & Above and 749900101 & Above only)	Cutter blade(s) are dull.	Sharpen cutter blade(s).
Sod Layer arms will not sideshift, cutter blade will not extend. (S/N 231811101 & Above and 749900101 & Above only)	No hydraulic flow.	Check quick couplers connection. Check for damaged hose ends and fittings.
		Activate loader front auxiliary hydraulics.
Sod Layer arms sideshift, cutter blade will not extend. (S/N 231811101 & Above and 749900101 & Above only)	Electrical harness not installed.	Install electrical harness from the Sod Layer to the loader.
	No electrical current flow through harness.	Check Sod Layer electrical harness for damage to connector or harness.
Sod Layer arms will not sideshift. (S/N 679100101 & Above)	No hydraulic flow.	Check quick couplers connection. Check for damaged hose ends and fittings.
		Activate loader front auxiliary hydraulics.

Dealer Copy - Not for Resale

LUBRICATION

Apply a light lubricating oil to the arm bars (Item 1) [A] to prevent rust from forming.

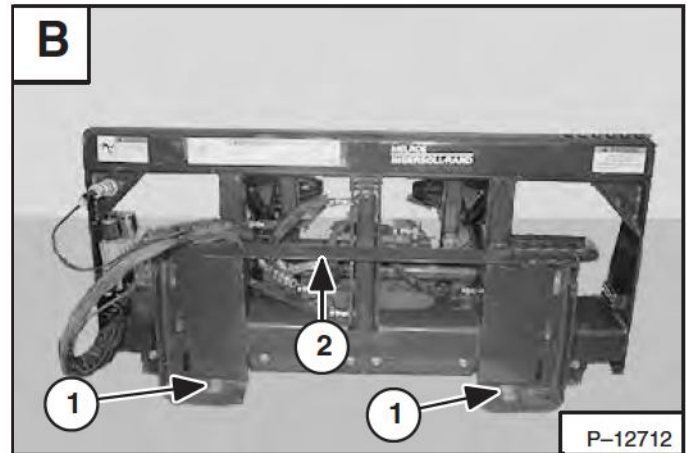
Apply a light coating of grease to the arm bars (Item 1)[A] when the sod layer is going to be stored.



INSPECTION

Sod Layer Mount Inspection

Inspect the Bob-Tach wedge mounts (Item 1)[B] mounting flange (Item 2) [B] and all welds on the Sod Layer mount for wear and damage each time the Sod Layer is removed from the loader.



Dealer Copy -- Not for Resale

INSPECTION (Cont'd)

Hand Lever Bob-Tach Inspection

Move the Bob-Tach levers to engage the wedges[A]. The levers and wedges must move freely.

The wedges must extend through the holes in the attachment mounting frame (Item 1) [A].

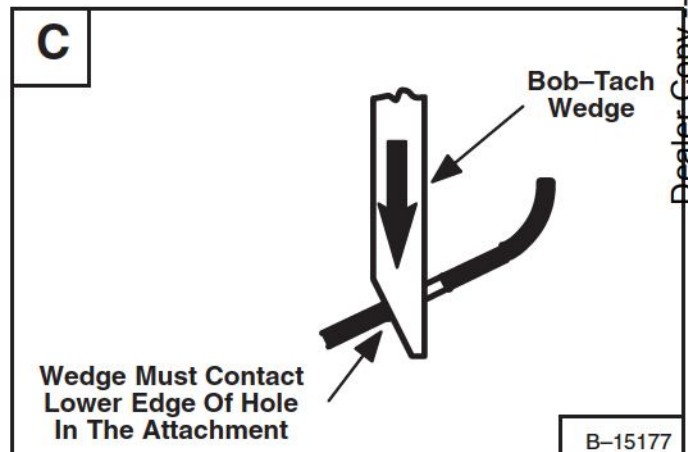
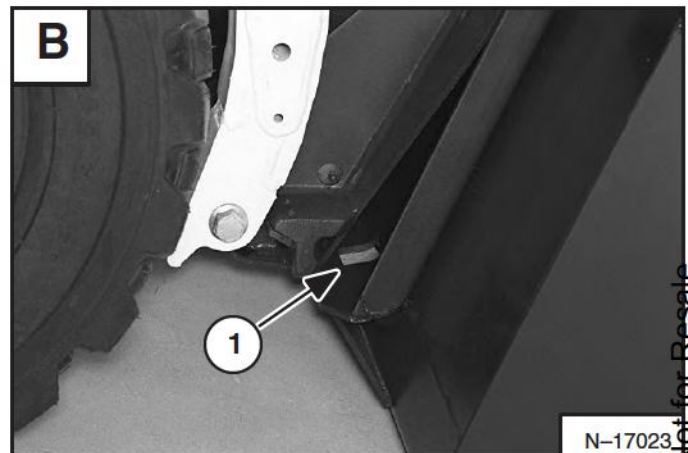
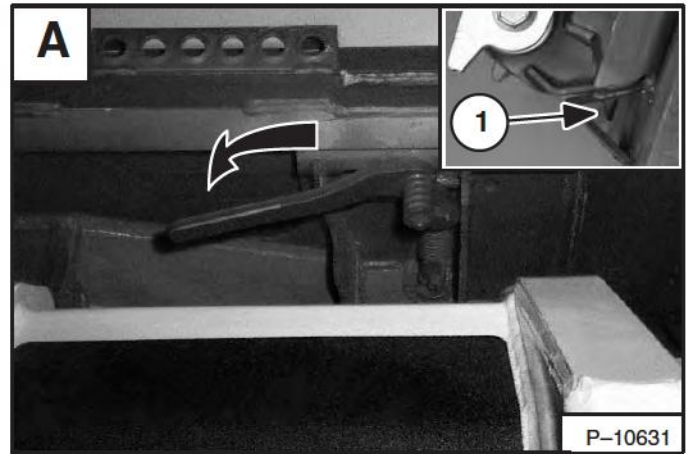
! WARNING

Bob-Tach wedges must extend through the holes in attachment. Lever(s) must be fully down and locked. Failure to secure wedges can allow attachment to come off and cause injury or death.

W-2102-0497

The spring loaded wedge (Item 1) [A] must contact the lower edge of the hole in the attachment (Item 1) [B] and [C].

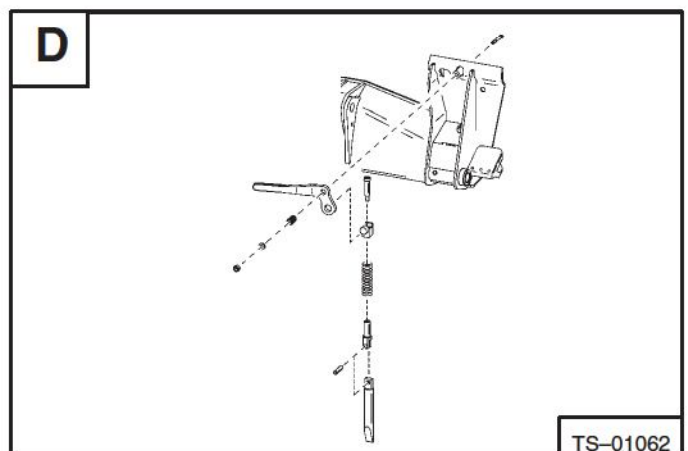
If the wedge does not contact the lower edge of the hole [B] and [C], the attachment will be loose and can come off of the Bob-Tach.



Inspect the mounting frame on the attachment and the Bob-Tach, linkages and wedges for excessive wear or damage [D]. Replace any parts that are damaged, bent, or missing. Keep all fasteners tight.

Look for cracked welds. Contact your Bobcat dealer for repair or replacement parts.

Lubricate the wedges. (See the correct loader Service Manual for *LUBRICATION OF THE BOBCAT LOADER*.)



INSPECTION(Cont'd)

Power Bob-Tach Inspection

Push and hold the Bob-Tach “wedges up” switch [A] Until wedges are fully raised. Push and hold the Bob-Tach “wedges down” switch [A] Until the wedges are fully down. The wedges must move freely.

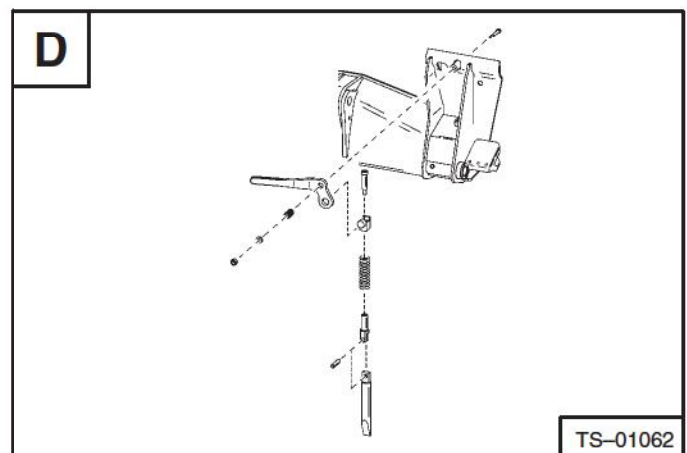
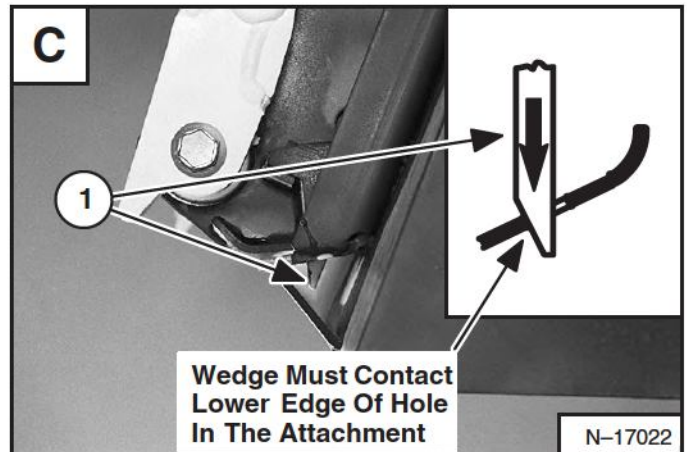
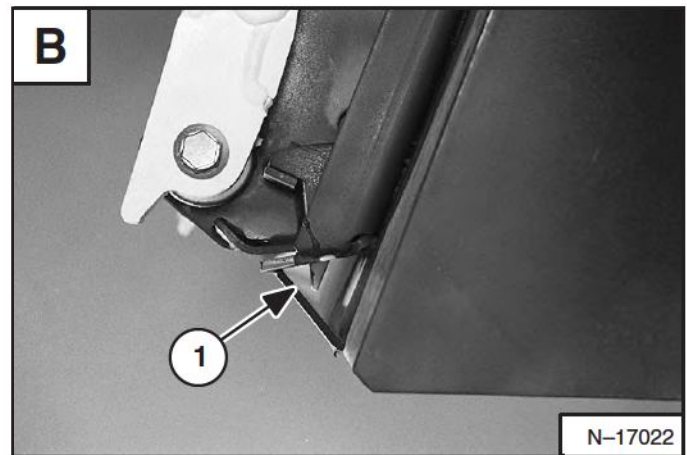
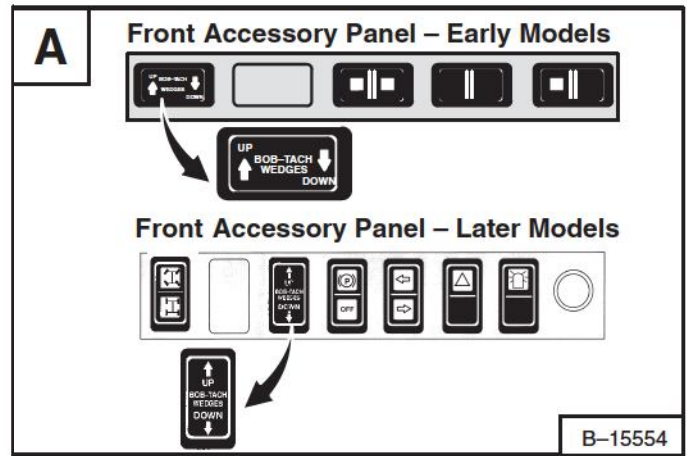
The wedges must extend through the holes in the attachment mounting frame (Item 1) [B] And must contact the lower edge of the hole in the attachment [B] and (Item 1) [C].

If the wedge does not contact the lower edge of the hole [C], The attachment will be loose and can come off the Bob-Tach.

Inspect the mounting frame on the attachment and the Bob-Tach, Linkages and wedges for excessive wear or damage [D]. Replace any parts including decals and lever that are damaged, bent, or missing. Keep all fasteners tight. Inspect the hoses and fittings for leaks.

Look for cracked welds. Contact your Bobcat Dealer for repair or replacement parts.

Lubricate the wedges. (See the correct Loader Service Manual for *Lubrication Of The Bobcat Loader.*)



Buy Now



Our support email:

ebooklibonline@outlook.com