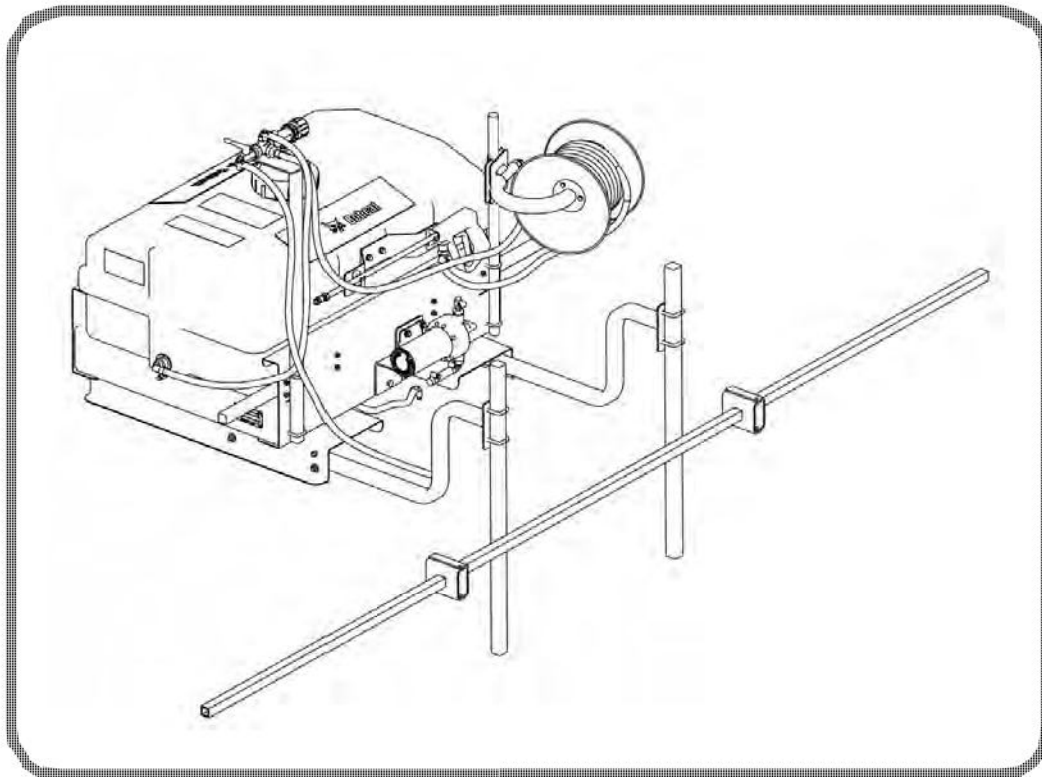




Bobcat®

Service Manual Sprayer

(Sprayer 40) S/N A7W300101 & Above
(Sprayer 50) S/N 005900101 & Above
(Sprayer 60) S/N B13300101 & Above
(Sprayer 75) S/N 005400101 & Above
(Sprayer 80) S/N A7F200101 & Above



Dealer Copy -- Not for Resale



MAINTENANCE SAFETY



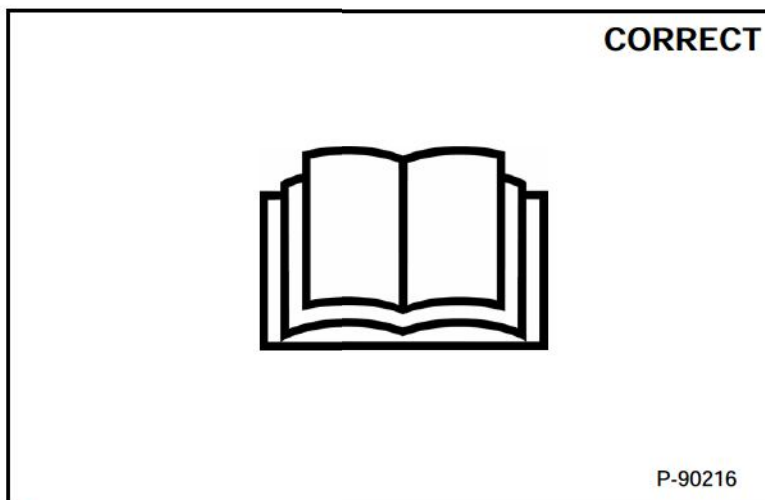
WARNING









Instructions are necessary before operating or servicing machine. Read and understand the Operation & Maintenance Manual, Operator's Handbook and signs (decals) on machine. Follow warnings and instructions in the manuals when making repairs, adjustments or servicing. Check for correct function after adjustments, repairs or service. Untrained operators and failure to follow instructions can cause injury or death.

W-2003-0807



Safety Alert Symbol: This symbol with a warning statement, means: "Warning, be alert! Your safety is involved!" Carefully read the message that follows.



-  Never service attachments / implements without instructions. See Operation & Maintenance Manual and Attachment / Implement Service Manual.
-  Cleaning and maintenance are required daily.
-  Never service or adjust attachment / implement with the engine running unless instructed to do so in manual.
-  Always lower the attachment / implement to the ground before lubricating or servicing.
-  Avoid contact with leaking hydraulic fluid or diesel fuel under pressure. It can penetrate skin or eyes.
-  Stop, cool and clean engine of flammable materials before checking fluids.
-  Keep body, loose objects and clothing away from moving parts, electrical contacts, hot parts and exhaust.
-  Safety glasses are needed for eye protection from electrical arcs, battery acid, compressed springs, fluids under pressure and flying debris or when tools are used. Use eye protection approved for type of welding.

Dealer Copy -- Not for Resale

MSW30-0409

CONTENTS

SAFETY AND MAINTENANCE	10-01
ELECTRICAL SYSTEM	20-01
MAINFRAME	30-01
SPECIFICATIONS	SPEC-01
ALPHABETICAL INDEX	INDEX-01

FOREWORD

SERIAL NUMBER LOCATION	1-7
Implement Serial Number	1-7
DELIVERY REPORT	1-8
IMPLEMENT IDENTIFICATION	1-9
Sprayer 40	1-9
Sprayer 50	1-10
Sprayer 60	1-11
Sprayer 75	1-12
Sprayer 80	1-13

SERIAL NUMBER LOCATION

Implement Serial Number

Figure 1

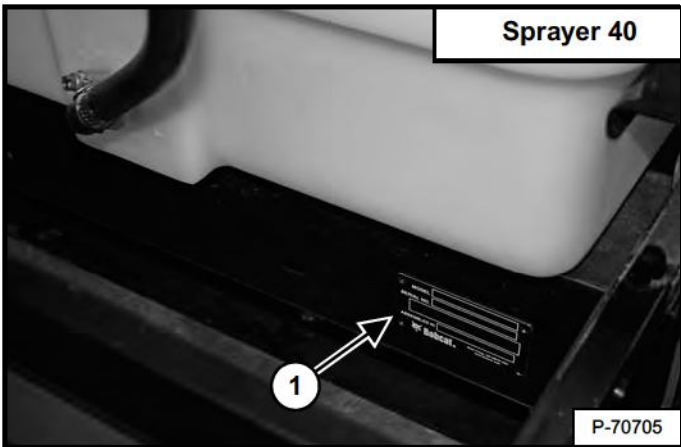


Figure 2

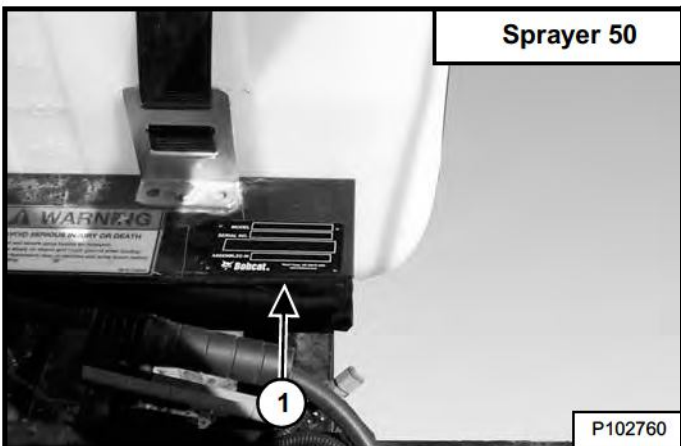


Figure 3

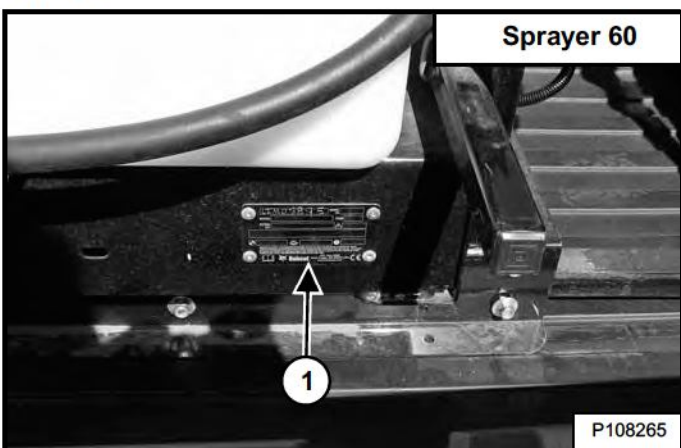


Figure 4

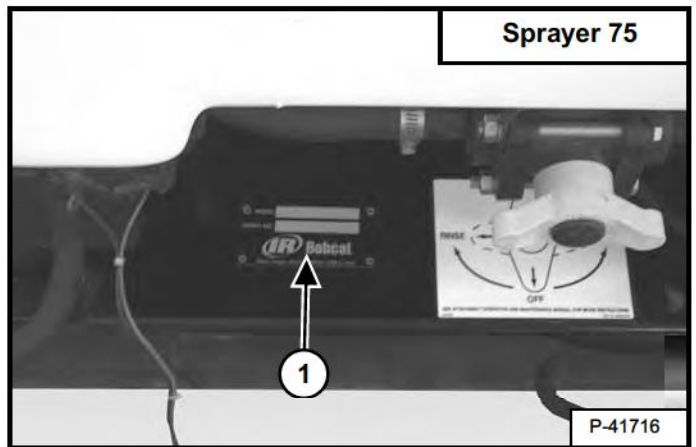
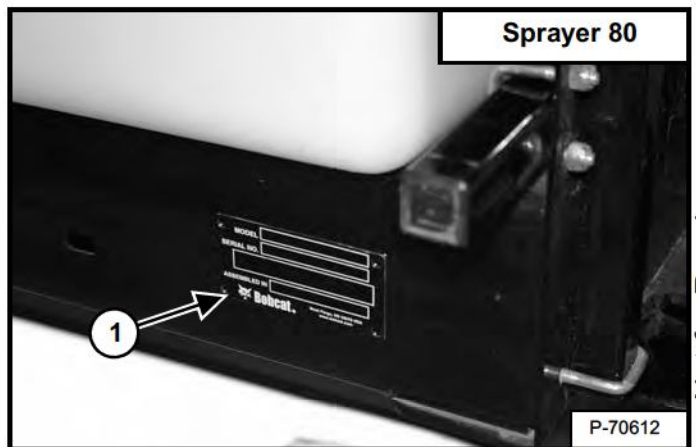


Figure 5



Always use the serial number (Item 1) [Figure 1], [Figure 2], [Figure 3], [Figure 4] or [Figure 5] of the sprayer when requesting service information or when ordering parts. Early or later models (identification made by serial number) may use different parts, or it may be necessary to use a different procedure in doing a specific service operation.

Dealer Copy -- Not for Resale

DELIVERY REPORT

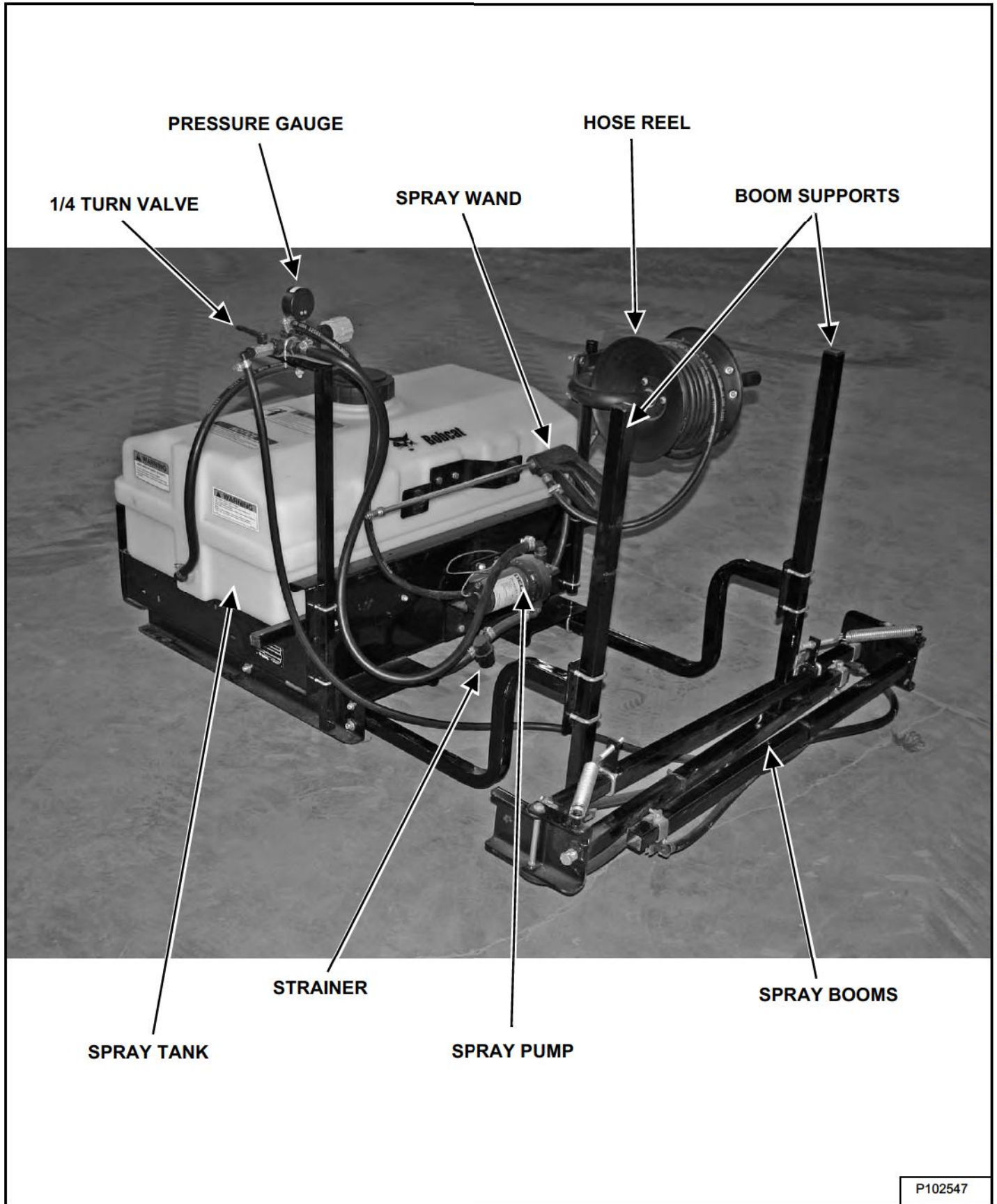
Figure 6

The image shows a Bobcat 'Delivery Report Attachments' form. At the top left is the Bobcat logo. The form includes fields for 'Dealer Name', 'Dealer Phone', 'Dealer State', and 'Sales Specialist Name'. Below this is a 'Performance Check' section with a grid for 'EQUIPMENT TYPE (check one)', 'OPERATOR TRAINING', and 'SALES SPECIALIST'. A large 'WARNING' box is present, containing 15 numbered items detailing safety and training requirements. At the bottom, there are signature lines for 'Operator Signature' and 'Dealer Representative Signature', along with a date field. A small box at the bottom right of the form contains the number 'NA7494'. At the very bottom of the page, there is a note: 'Please do the completed user signed form immediately to Bobcat Service Department at 800.851.1324 (P.45). Although, it is required and signed PDF copy of the Delivery Report can be e-mailed to: 800.8511324@bobcat.com. ©2008 01-13 Revised 0-12'.

The delivery report [Figure 6] must be completed by the dealer and signed by the owner or operator when the Bobcat sprayer is delivered. An explanation of the form must be given to the owner.

IMPLEMENT IDENTIFICATION

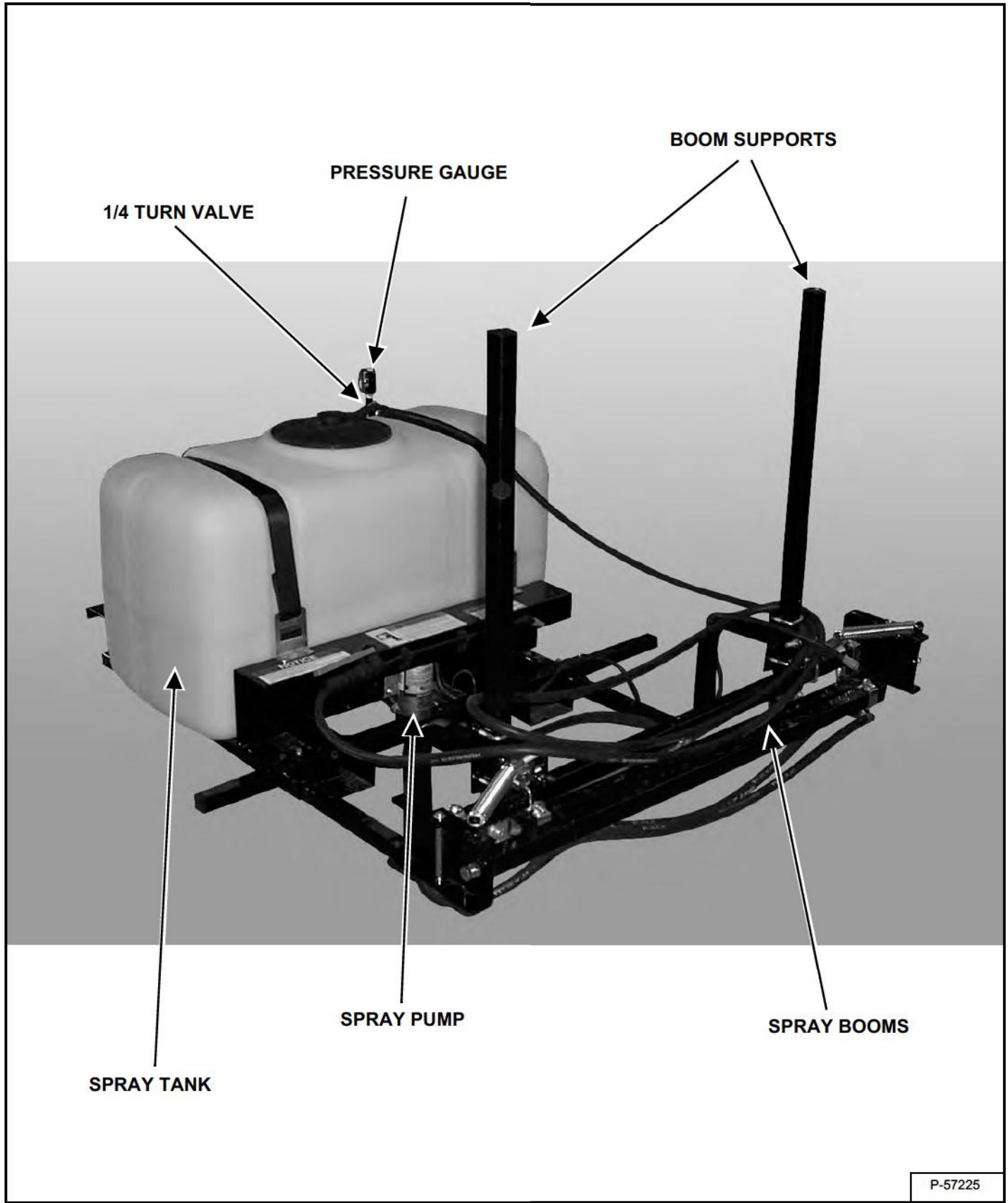
Sprayer 40



Dealer Copy -- Not for Resale

IMPLEMENT IDENTIFICATION (CONT'D)

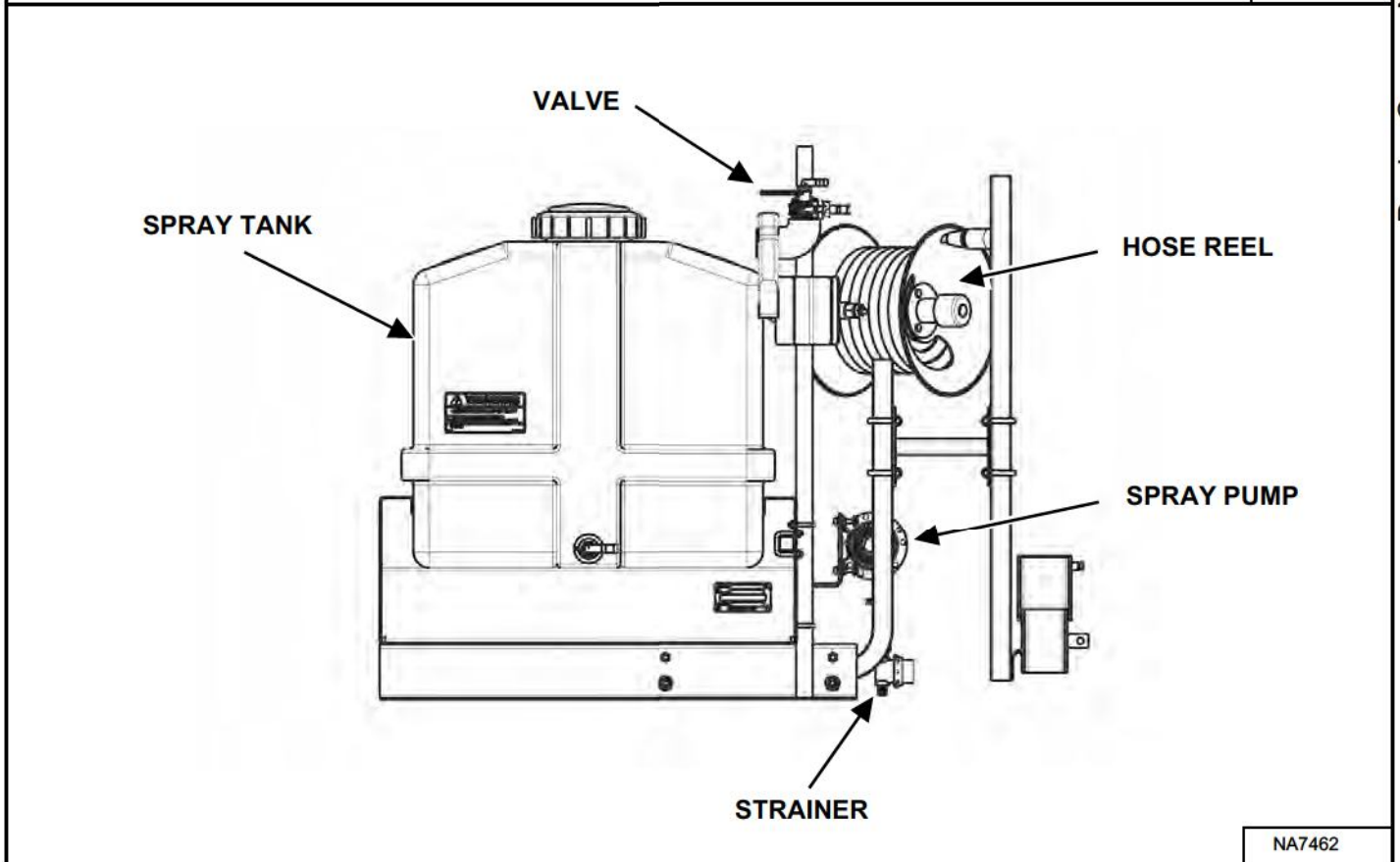
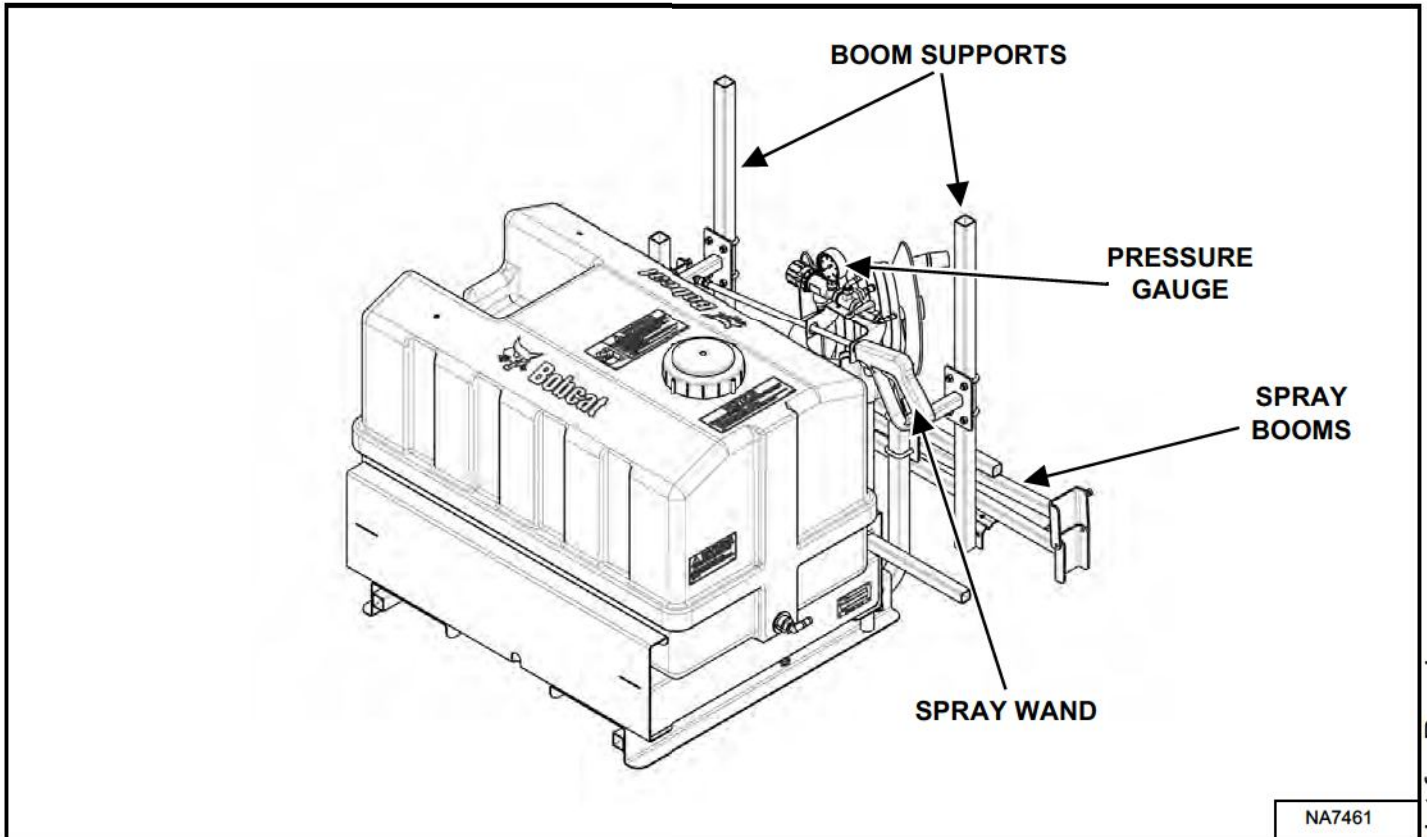
Sprayer 50



Dealer Copy -- Not for Resale

IMPLEMENT IDENTIFICATION (CONT'D)

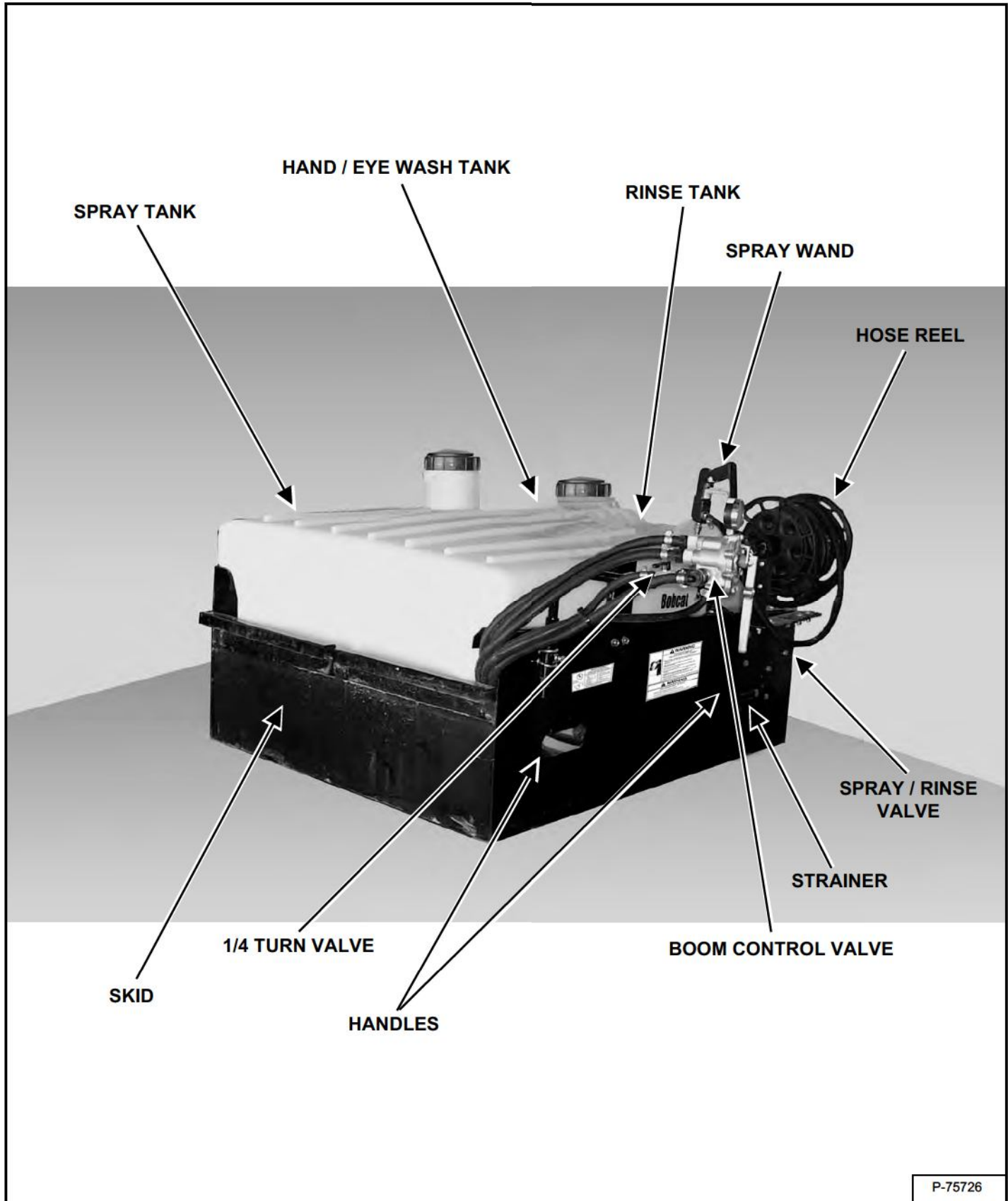
Sprayer 60



Dealer Copy -- Not for Resale

IMPLEMENT IDENTIFICATION (CONT'D)

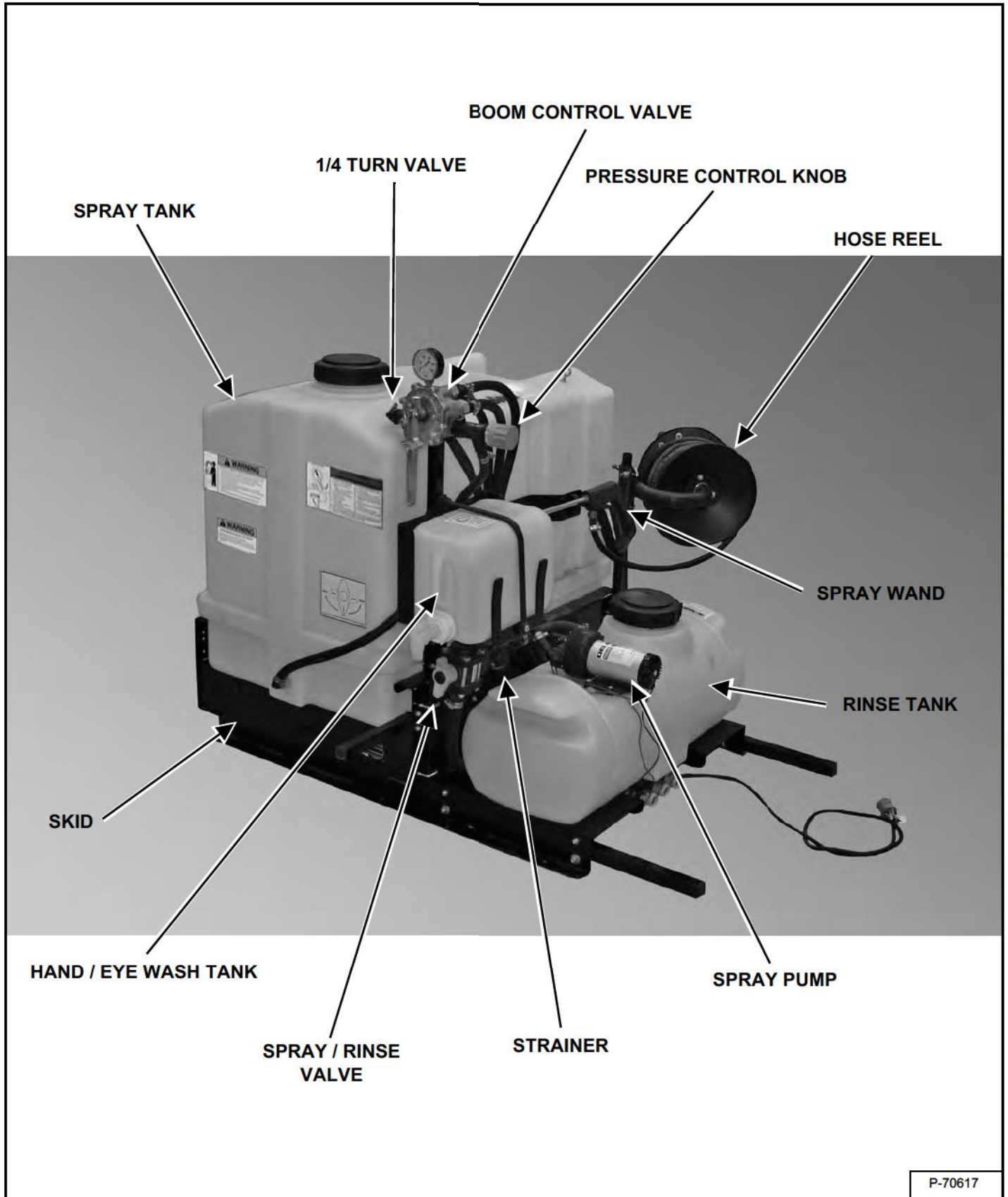
Sprayer 75



Dealer Copy -- Not for Resale

IMPLEMENT IDENTIFICATION (CONT'D)

Sprayer 80



Dealer Copy -- Not for Resale

SAFETY AND MAINTENANCE

SAFETY INSTRUCTIONS	10-10-1
Use Safety Rules	10-10-1
Rules For Safe Use Of Chemicals	10-10-1
TRUBLESHOOTING	10-20-1
Chart	10-20-1
DAILY INSPECTION	10-30-1
Nozzle Inspection	10-30-1
STRAINER	10-40-1
Removal And Installation	10-40-1
IMPLEMENT STORAGE AND RETURN TO SERVICE	10-50-1
Storage	10-50-1
Return To Service	10-50-1

Dealer Copy -- Not for Resale

SAFETY INSTRUCTIONS

Use Safety Rules

- Read and follow instructions in the machine and the implement's Operation & Maintenance Manual before operating.
- In addition to the design and configuration of equipment, hazard control and accident prevention are dependent upon the awareness, concern, prudence and proper training of personnel involved in the operation, transport, maintenance and storage of equipment.
- Check that the implement is securely fastened to the machine.
- Make sure all the machine controls are in the NEUTRAL position before starting the machine.
- Operate the implement only from the operator's position.
- Operate the implement according to the Operation & Maintenance Manual.
- When learning to operate the implement, do it at a slow rate in an area clear of bystanders.
- DO NOT permit personnel to be in the work area when operating the machine and implement.
- The implement must be used ONLY on approved machines. See your Bobcat dealer for updated list of approved implements for each machine model.
- DO NOT modify equipment or add implements that are not approved by the manufacturer.
- DO NOT make any adjustments or repairs on the machine or implement while the engine is running.
- Keep guards and shields in place. Replace if damaged.

Rules For Safe Use Of Chemicals

- Always read the label before using chemicals. Follow instructions from chemical manufacturer on how to select, use and handle each chemical. Note protection information each time before opening the container.
- Verbal warnings must be given if written warnings cannot be understood by workers.
- Do not spill chemicals on skin or clothing. If chemicals are spilled, remove contaminated clothing immediately and wash skin (and clothing) thoroughly with soap and water. Wash hands and face with soap and water and change clothing after spraying. Wash clothing each day before reuse.
- The spray tank and system should be emptied of chemical mixture and flushed with clean water before servicing the spray system or spray components. Clean machine of all chemical residue before servicing.
- Avoid inhaling chemicals. When directed on the label, wear protective clothing, face shield or goggles.
- Never smoke while spraying or handling chemicals.
- Cover food and water containers when spraying around livestock or pet areas.
- If symptoms of illness occur during or shortly after spraying, call a physician or go to a hospital immediately.
- Follow label directions and advice to keep residues on edible portions of plants within the limits permitted by law.
- Keep chemicals out of the reach of children, pets and unauthorized personnel. Store them outside of the home, away from food and feed and lock them in a secure area.
- Keep bystanders away from spray drift.
- Always store chemicals in original containers and keep them tightly closed. Never keep chemicals in anything but the original container. Read labels for hazards about chemical reaction with certain types of metals.
- Always dispose of empty containers according to manufacturer's directions.

Dealer Copy -- Not for Resale

SI SPRAYER-1112

Buy Now



Our support email:

ebooklibonline@outlook.com