

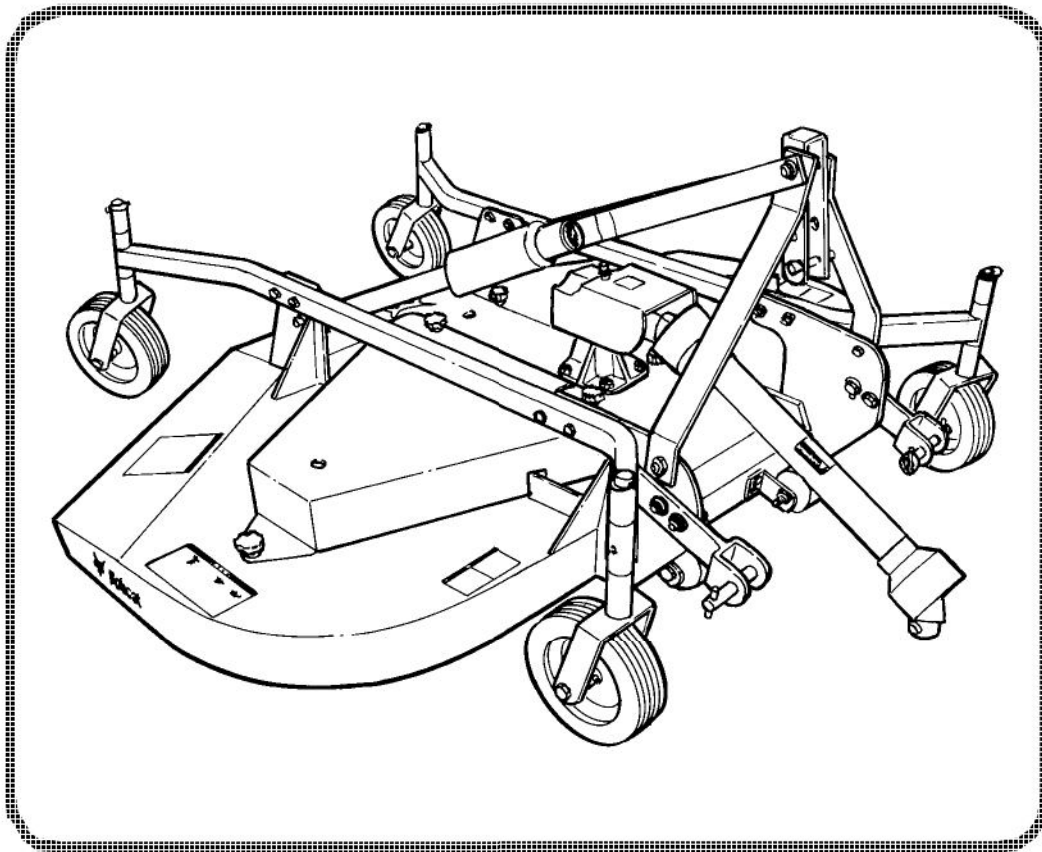


Bobcat®

Service Manual

Three-Point Finish Mower

(3FM60) S/N AL1C00101 & Above
(3FM72) S/N AL1D00101 & Above
(3FM84) S/N AL1E00101 & Above



Dealer Copy -- Not for Resale



MAINTENANCE SAFETY



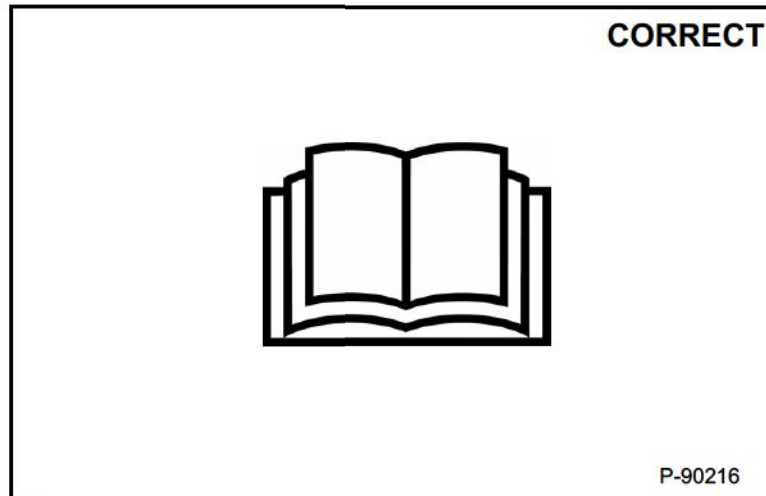
WARNING









Instructions are necessary before operating or servicing machine. Read and understand the Operation & Maintenance Manual, Operator's Handbook and signs (decals) on machine. Follow warnings and instructions in the manuals when making repairs, adjustments or servicing. Check for correct function after adjustments, repairs or service. Untrained operators and failure to follow instructions can cause injury or death.

W-2003-0807



Safety Alert Symbol: This symbol with a warning statement, means: "Warning, be alert! Your safety is involved!" Carefully read the message that follows.



-  Never service attachments / implements without instructions. See Operation & Maintenance Manual and Attachment / Implement Service Manual.
-  Cleaning and maintenance are required daily.
-  Never service or adjust attachment / implement with the engine running unless instructed to do so in manual.
-  Always lower the attachment / implement to the ground before lubricating or servicing.
-  Avoid contact with leaking hydraulic fluid or diesel fuel under pressure. It can penetrate skin or eyes.
-  Stop, cool and clean engine of flammable materials before checking fluids.
-  Keep body, loose objects and clothing away from moving parts, electrical contacts, hot parts and exhaust.
-  Safety glasses are needed for eye protection from electrical arcs, battery acid, compressed springs, fluids under pressure and flying debris or when tools are used. Use eye protection approved for type of welding.

Dealer Copy -- Not for Resale

MSW30-0409

CONTENTS

SAFETY & MAINTENANCE	10-01
MAINFRAME	20-01
SPECIFICATIONS	SPEC-01
ALPHABETICAL INDEX	INDEX-01

Dealer Copy -- Not for Resale

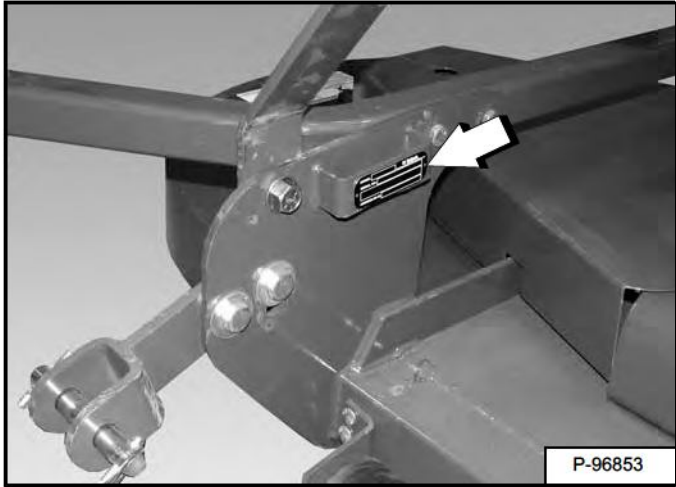
FOREWORD

SERIAL NUMBER LOCATION	1-7
Implement Serial Number	1-7
DELIVERY REPORT	1-7
MANUAL STORAGE LOCATION	1-7
IMPLEMENT IDENTIFICATION	1-8
IMPLEMENT SIGNS (DECALS)	1-9

SERIAL NUMBER LOCATION

Implement Serial Number

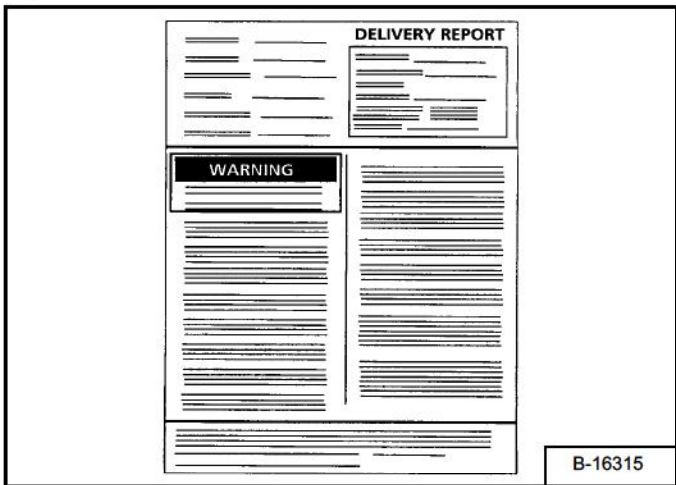
Figure 1



Always use the serial number of the three-point finish mower when requesting service information or when ordering parts. Early or later models (identification made by serial number) may use different parts, or it may be necessary to use a different procedure in doing a specific service operation [Figure 1].

DELIVERY REPORT

Figure 2

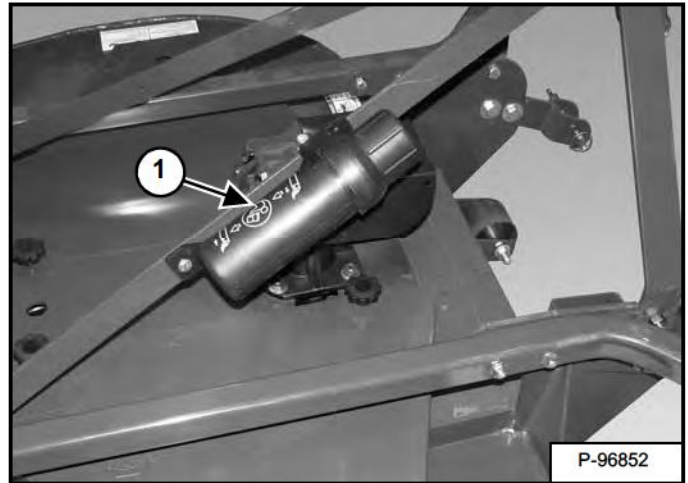


The delivery report [Figure 2] must be completed by the dealer and signed by the owner or operator when the Bobcat three-point finish mower is delivered. An explanation of the form must be given to the owner. Make sure it is filled out completely.

MANUAL STORAGE LOCATION

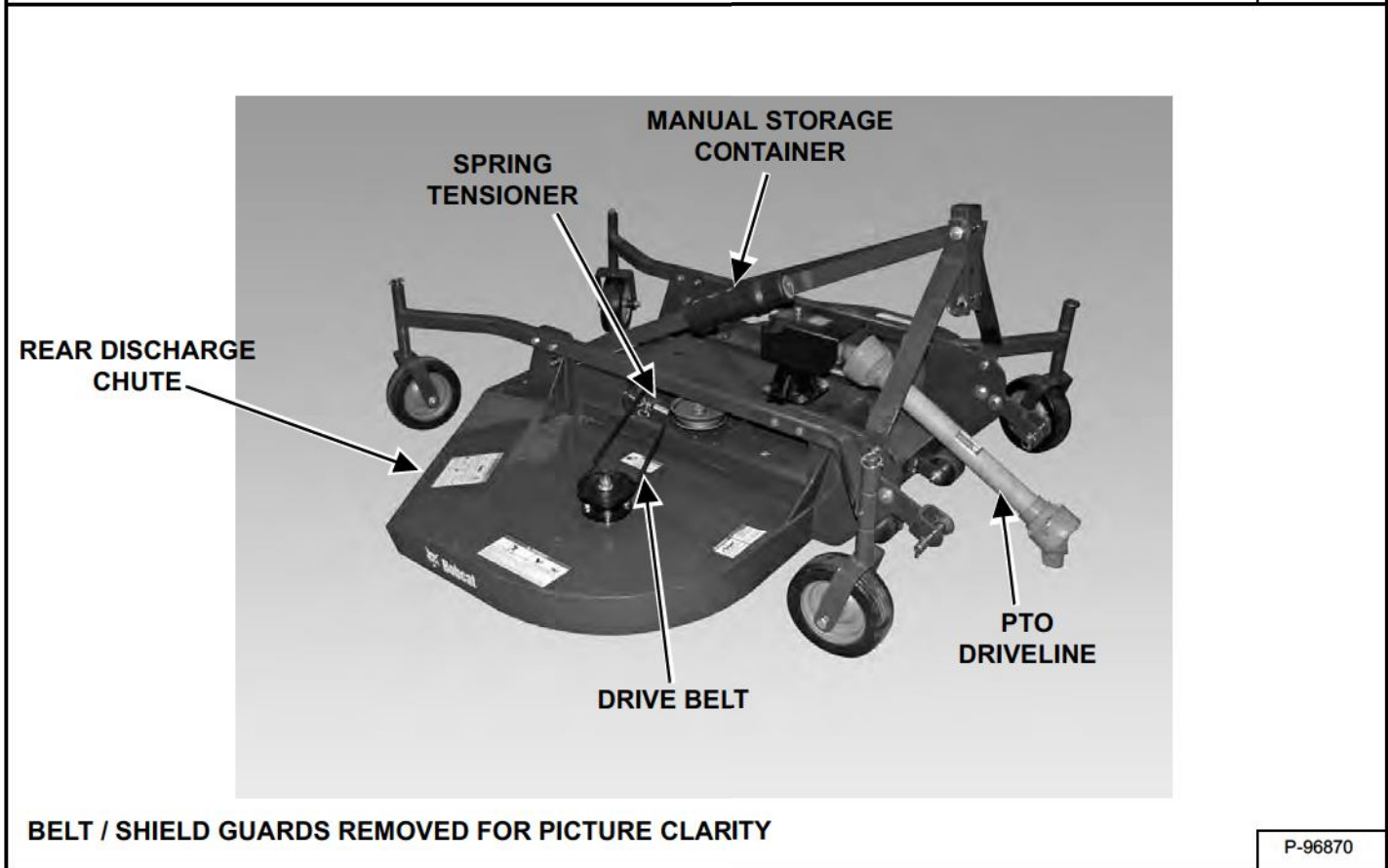
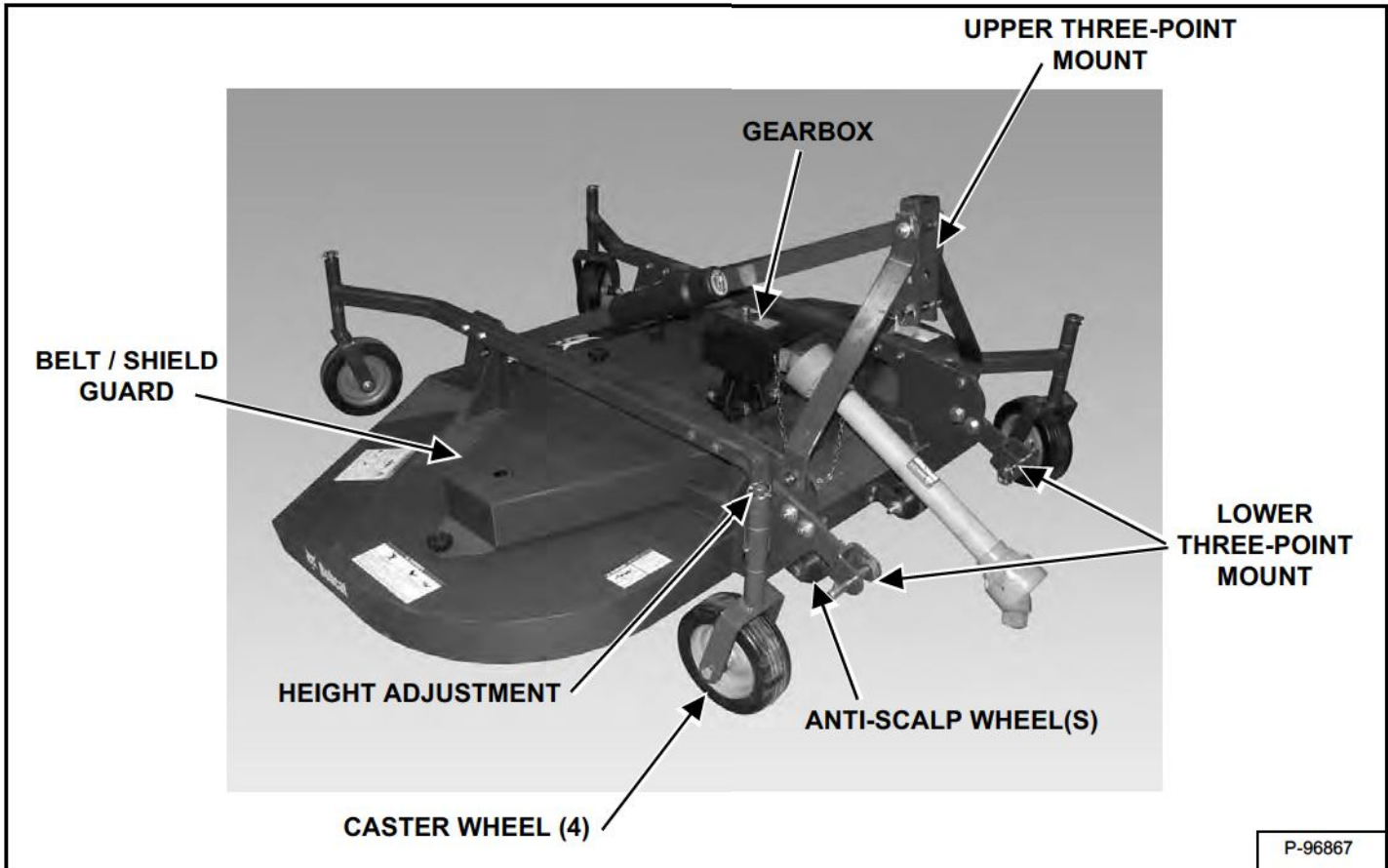
Read and understand the Operation & Maintenance Manual before operating the three-point finish mower.

Figure 3



The Operation & Maintenance Manual and Safety Manual(s) are stored in a container (Item 1) [Figure 3] located on the three-point finish mower.

IMPLEMENT IDENTIFICATION



Dealer Copy -- Not for Resale

IMPLEMENT SIGNS (DECALS)

Follow the instructions on all the Implement Signs (Decals) that are on the implement. Replace any damaged implement signs and be sure they are in the correct locations. Implement signs are available from your Bobcat implement dealer.

⚠ DANGER
ROTATING SHAFT WILL CAUSE SERIOUS INJURY OR DEATH
 Keep shields and guards in place.

⚠ WARNING
OVERSPEEDING IMPLEMENT PTO CAN CAUSE SERIOUS INJURY OR DEATH
 Do NOT exceed the PTO speed of **540 RPM**.

7163177 (2)

7140920 (2)

THREE-POINT FINISH MOWER SERVICE SCHEDULE

BEFORE MOWING FINISH MOWER

- Lower three-point lift arms and put Finish Mower flat on ground.
- Stop the engine and remove the key.
- Make sure all Finish Mower components have stopped rotating.

EVERY 10 HOURS OF OPERATION:

- Check blades and mounting guide for cracks or damage. Replace if necessary.
- Check blade mounting hardware for torque torque to the (ft) level.
- Check for damaged or missing guards and shields. Replace if necessary.
- Check for damaged or missing decals. Replace if necessary.
- Lubricate all O/L grease points.
- Check lubrication level in gearbox (SEE WARNING).
- Clean debris, grass, leaves, etc. from Finish Mower.
- Check tire proper inflation.
- Lubricate all wheel bearing splines.
- Check that all screws and bolts are tightened.

EVERY 50 HOURS OF OPERATION:

- Check that oil in the gearbox (See SAE 10W/30).

SEE IMPLEMENT OPERATION AND MAINTENANCE MANUAL FOR MORE INSTRUCTIONS.

7169909

P-96868

⚠ WARNING
AVOID SERIOUS INJURY OR DEATH

Read Operator's Manual and Operator's Handbook. Read the manual before starting the machine.

Always wear up the seatbelt when working on the machine.

DO NOT wear seat belt & PTO in same.

Always use proper lifting and carrying techniques. Do not lift or carry more than you are able to.

Always use proper lifting and carrying techniques. Do not lift or carry more than you are able to.

TO LEAVE COMPACT TRACTOR:

- Lower all implements to the ground.
- Place all controls in neutral.
- Lower back seat, hydraulic and manual parking brake.
- Stop engine and remove key.

7169953

⚠ DANGER

THROWN OBJECTS

- Clear mowing area of debris.
- Never operate mower in vicinity of other person.
- Objects can be thrown more than 200 feet forward.
- Always all shields installed. Repair or replace if damaged or missing.
- Check blades and mounting hardware. Replace if damaged. Never weld or modify.

ROTATING BLADES

- Never put hands, feet or objects into or under mower when engine is running.
- Keep bystanders away.
- Use red line.
- Stop engine before servicing.

THROWN OBJECTS OR ROTATING BLADES CAN CAUSE SERIOUS INJURY OR DEATH

6734440 (2)

⚠ WARNING
AVOID INJURY

- Do not operate with shields removed.
- Do not modify.

SEE IMPLEMENT OPERATION & MAINTENANCE MANUAL FOR MORE INSTRUCTIONS.

7161604 (2)

BELT / SHIELD GUARDS REMOVED FOR PICTURE CLARITY

P-96870


Dealer Copy -- Not for Resale

SAFETY & MAINTENANCE

TROUBLESHOOTING	10-10-1
Chart	10-10-1
SERVICE SCHEDULE	10-20-1
Chart	10-20-1
INSPECTION	10-30-1
Implement Mounting Frame	10-30-1
Three-Point Implement	10-30-1
Three-Point Hitch	10-30-2
REMOVAL AND INSTALLATION OF CUTTING BLADES	10-40-1
Procedure	10-40-1
REMOVAL AND INSTALLATION OF BELT	10-50-1
Procedure	10-50-1
REGULAR MAINTENANCE ITEMS	10-60-1
Gearbox Fluid	10-60-1
Cleaning The Three-Point Finish Mower	10-60-1
IMPLEMENT STORAGE AND RETURN TO SERVICE	10-70-1
Storage	10-70-1
Return To Service	10-70-1
LUBRICATING THE IMPLEMENT	10-80-1
Lubrication Locations	10-80-1

TROUBLESHOOTING

Chart

 <b style="font-size: 24px; margin-left: 10px;">WARNING	<p>Instructions are necessary before operating or servicing machine. Read and understand the Operation & Maintenance Manual, Operator's Handbook and signs (decals) on machine. Follow warnings and instructions in the manuals when making repairs, adjustments or servicing. Check for correct function after adjustments, repairs or service. Untrained operators and failure to follow instructions can cause injury or death.</p> <p style="text-align: right; font-size: 10px;">W-2003-0903</p>
--	---

Use the following troubleshooting chart to locate and correct problems which most often occur with the implement.


TROUBLESHOOTING THE THREE-POINT FINISH MOWER		
PROBLEM	CAUSE	CORRECTION
Poor cutting	Travel speed too fast	Reduce travel speed
	Low blade RPM	Increase RPM
	Blade belt slipping	Adjust belt to correct tension
	Blades dull	Sharpen or replace the blades
Blades will not rotate	Worn or broken blade belt	Replace belt
	PTO driveline disconnected	Connect PTO driveline
Vibration	Build up of material on the bottom of the mower deck	Clean the bottom of the mower deck
	Loose or cracked hardware	Repair or replace as needed
	Blades worn or broken	Replace the blades
	Blade spindles bent	Replace spindles
	Blades not balanced	Balance or replace blades

Dealer Copy -- Not for Resale

SERVICE SCHEDULE

Chart

Maintenance work must be done at regular intervals. Failure to do so will result in excessive wear and early failures. The service schedule is a guide for correct maintenance of the Bobcat product.

 <b style="font-size: 24pt; margin-left: 10px;">WARNING	<p>Instructions are necessary before operating or servicing machine. Read and understand the Operation & Maintenance Manual, Handbook and signs (decals) on machine. Follow warnings and instructions in the manuals when making repairs, adjustments or servicing. Check for correct function after adjustments, repairs or service. Untrained operators and failure to follow instructions can cause injury or death.</p> <p style="text-align: right; font-size: 10pt;">W-2003-0199</p>
--	---

SERVICE SCHEDULE		HOURS	
ITEM	SERVICE REQUIRED	10	50
General Items.	Check the blades for cracks, damage or excessive wear. Replace if necessary.		
	Check the blade mounting hardware for proper torque. Tighten blade mounting bolts to 60 ft.-lb. (82 N•m) torque.		
	Check for damaged or missing guards and shields. Replace if necessary.		
	Check for damaged or missing decals. Replace if necessary.		
	Clean debris, grass, leaves, ect. from the finish mower.		
	Check for proper belt tension. Adjust or replace as needed.		
Grease Fittings.	Check that all bolts and screws are tightened. Replace if necessary.		
	Grease the blade spindles with a multipurpose lithium based grease.		
	Grease the wheel hubs with a multipurpose lithium based grease.		
	Grease the caster wheel supports with a multipurpose lithium based grease.		
Gearbox Oil.	Grease the PTO u-joints and driveline with a multipurpose lithium based grease.		
	Check level and add as needed (use 80W90).		
	Drain and replace gearbox oil (use 80W90).		

Dealer Copy -- Not for Resale

Buy Now



Our support email:

ebooklibonline@outlook.com