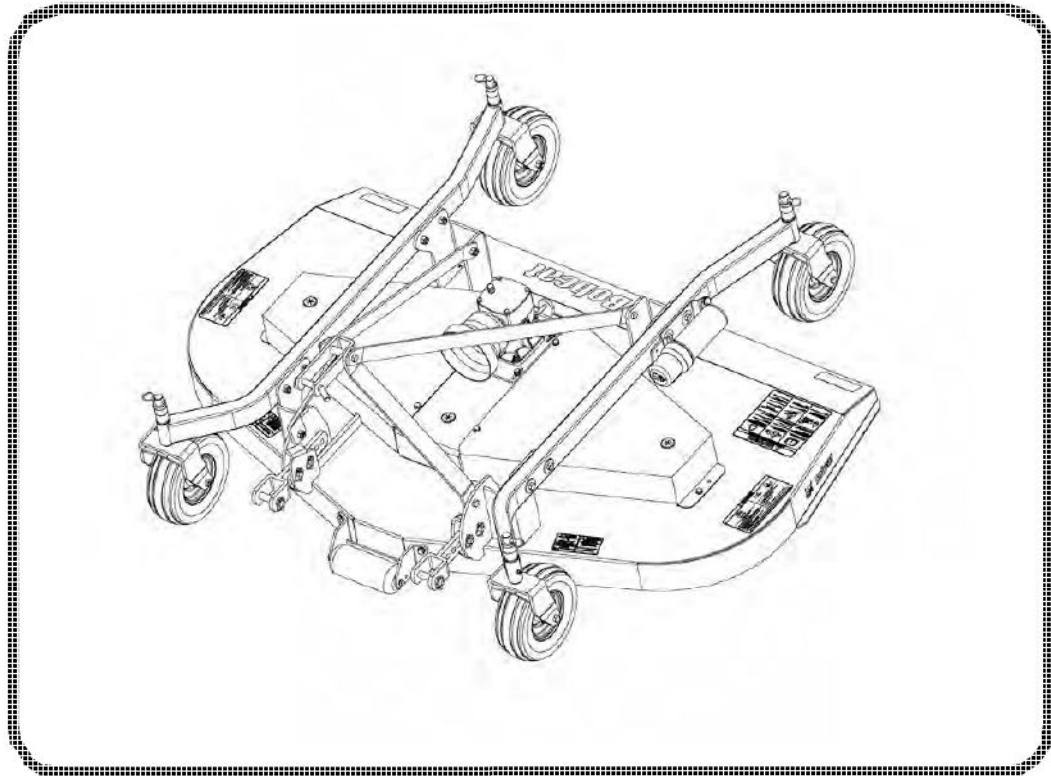




Bobcat®

Service Manual Three-Point Finish Mower

(3FM84) S/N AF4500101 & Above



Dealer Copy -- Not for Resale



MAINTENANCE SAFETY



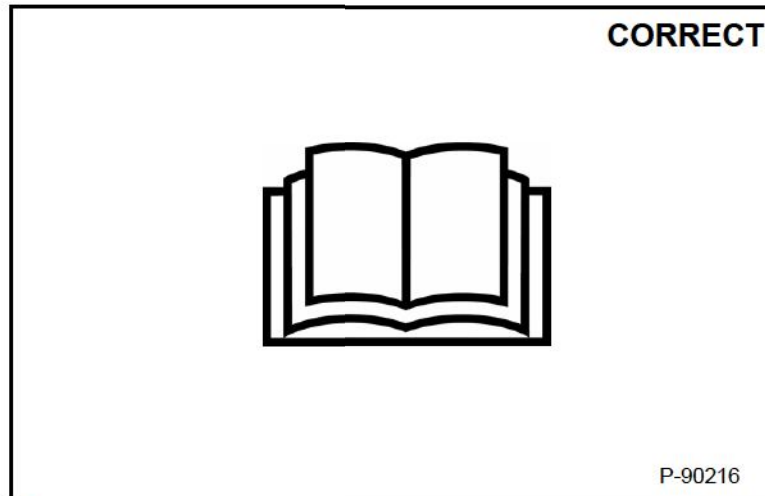
WARNING









Instructions are necessary before operating or servicing machine. Read and understand the Operation & Maintenance Manual, Operator's Handbook and signs (decals) on machine. Follow warnings and instructions in the manuals when making repairs, adjustments or servicing. Check for correct function after adjustments, repairs or service. Untrained operators and failure to follow instructions can cause injury or death.

W-2003-0903



Safety Alert Symbol: This symbol with a warning statement, means: "Warning, be alert! Your safety is involved!" Carefully read the message that follows.



-  Never service attachments / implements without instructions. See Operation & Maintenance Manual and Attachment / Implement Service Manual.
-  Cleaning and maintenance are required daily.
-  Never service or adjust attachment / implement with the engine running unless instructed to do so in manual.
-  Always lower the attachment / implement to the ground before lubricating or servicing.
-  Avoid contact with leaking hydraulic fluid or diesel fuel under pressure. It can penetrate skin or eyes.
-  Stop, cool and clean engine of flammable materials before checking fluids.
-  Keep body, loose objects and clothing away from moving parts, electrical contacts, hot parts and exhaust.
-  Safety glasses are needed for eye protection from electrical arcs, battery acid, compressed springs, fluids under pressure and flying debris or when tools are used. Use eye protection approved for type of welding.

ALPHABETICAL INDEX

ANTI-SCALP WHEEL	20-50-1
BLADE SPINDLE	20-40-1
CASTER WHEEL	20-10-1
DELIVERY REPORT	III
GEARBOX	20-30-1
HYDRAULIC CONNECTION SPECIFICATIONS	30-30-1
IDENTIFICATION AND MACHINE SIGNS (DECALS)	IV
IMPLEMENT STORAGE AND RETURN TO SERVICE	10-60-1
INSPECTION	10-30-1
LUBRICATING THE IMPLEMENT	10-80-1
MANUAL STORAGE	III
PTO DRIVELINE	20-20-1
REGULAR MAINTENANCE ITEMS	10-70-1
REMOVAL AND INSTALLATION OF BELT	10-50-1
REMOVAL AND INSTALLATION OF CUTTING BLADES	10-40-1
SERIAL NUMBER LOCATION	III
SERVICE SCHEDULE	10-20-1
SUPPORT ARM BUSHING	20-60-1
(3FM84) THREE-POINT FINISH MOWER SPECIFICATIONS	30-10-1
TORQUE SPECIFICATIONS FOR BOLTS	30-20-1
TROUBLESHOOTING	10-10-1

**ALPHABETICAL
INDEX**

Copy -- Not for Resale

CONTENTS

DELIVERY REPORT..... III
IDENTIFICATION AND MACHINE SIGNS (DECALS) IV
MANUAL STORAGE..... III
SERIAL NUMBER LOCATION III
SAFETY AND MAINTENANCE..... 10-01
MAIN FRAME 20-01
SPECIFICATIONS AND SCHEMATICS 30-01

**SAFETY AND
MAINTENANCE**

**MAIN
FRAME**

**SPECIFICATIONS
AND
SCHEMATICS**

REFERENCE INFORMATION

Write the correct information for YOUR three-point finish mower implement in the spaces below. Always use these numbers when referring to your three-point finish mower.

Three-Point Finish Mower Serial Number _____

NOTES:

YOUR BOBCAT® DEALER:

ADDRESS:

PHONE:

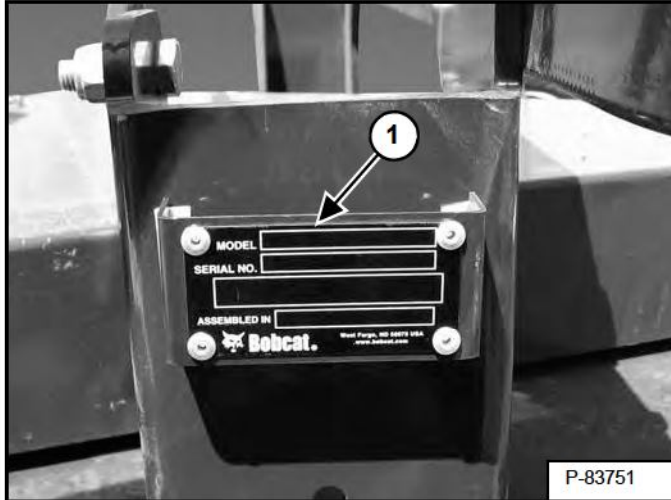
Bobcat Company
P.O. Box 128
Gwinner, ND 58040-0128

Bobcat Company Europe
Drève Richelle 167
B-1410 WATERLOO
Belgium

Dealer Copy -- Not for Resale

SERIAL NUMBER LOCATION

Figure 1



Always use the serial number (Item 1) [Figure 1] of the three-point finish mower when requesting service information or when ordering parts. Early or later models (identification made by serial number) may use different parts, or it may be necessary to use a different procedure in doing a specific service operation.

MANUAL STORAGE

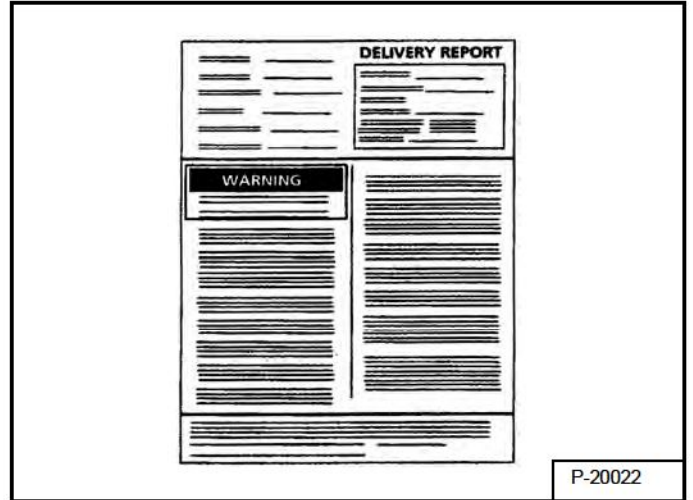
Figure 2



The manual storage container (Item 1) [Figure 2] is located on the wheel support bracket at the rear of the finish mower.

DELIVERY REPORT

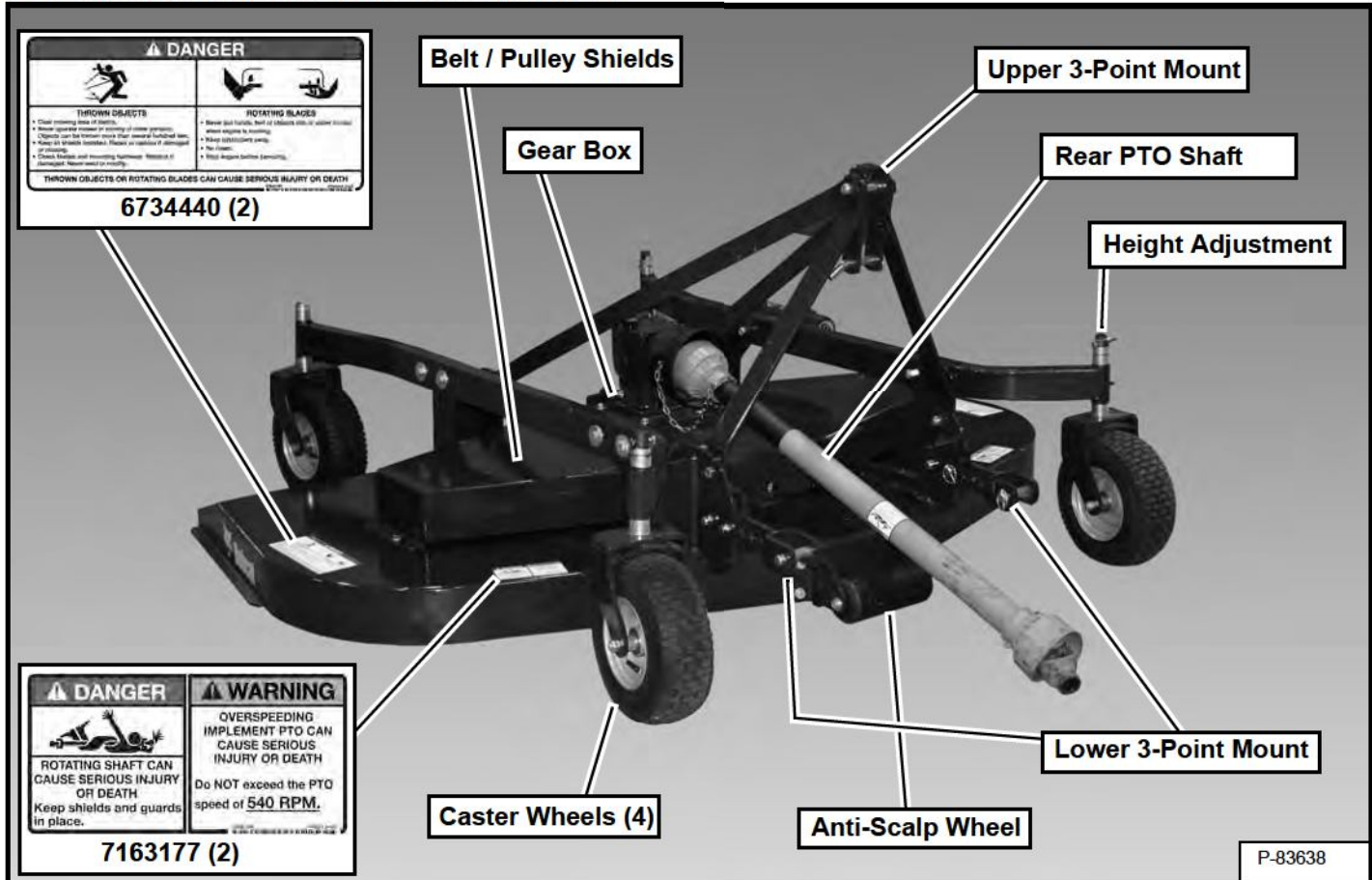
Figure 3



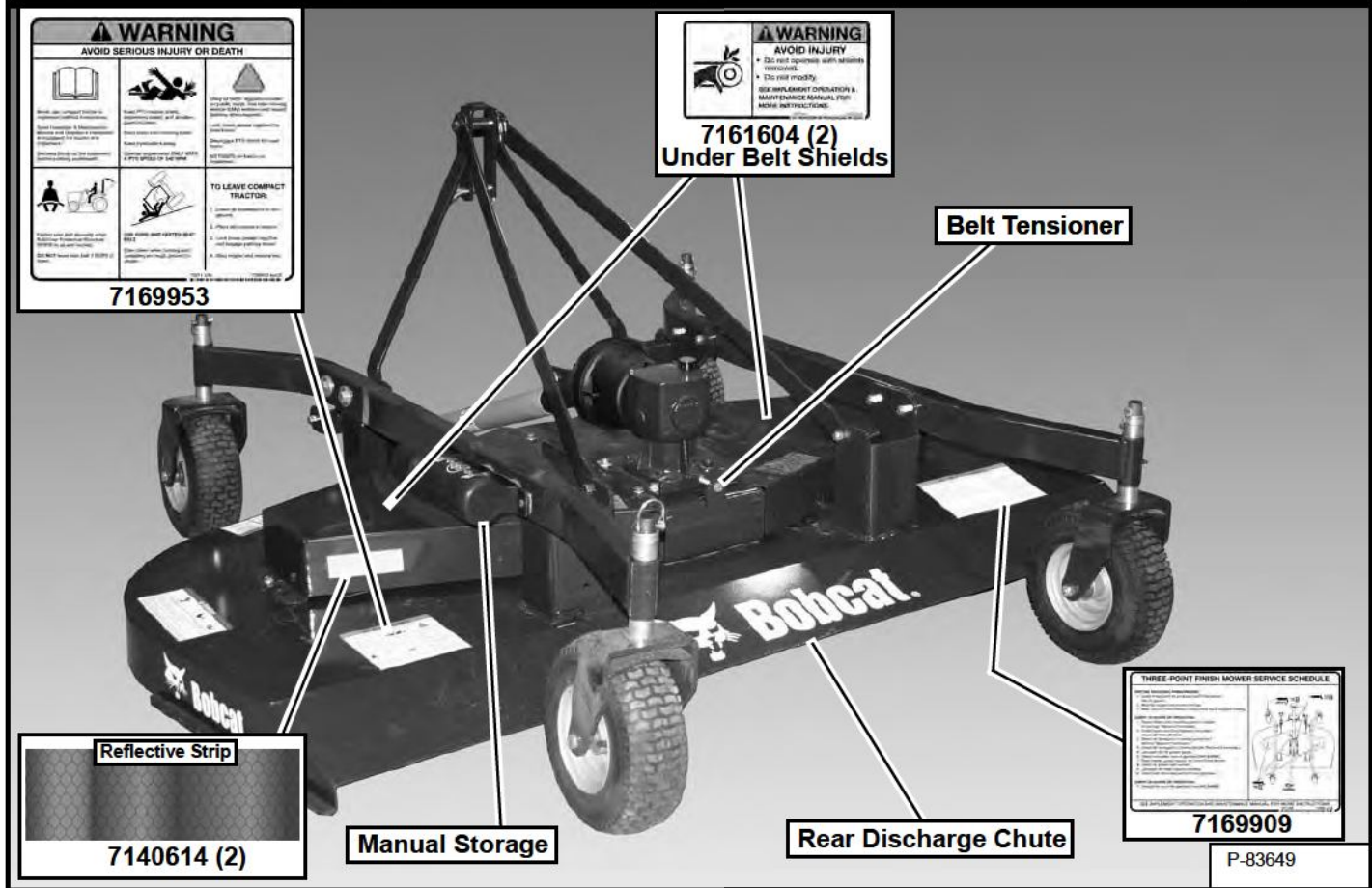
The delivery report must be filled out by the dealer and signed by the owner or operator when the three-point finish mower is delivered. An explanation of the form must be given to the owner. Make sure it is filled out completely [Figure 3].

Dealer Copy -- Not for Resale

IDENTIFICATION AND MACHINE SIGNS (DECALS)



P-83638



P-83649

Dealer Copy -- Not for Resale

SAFETY AND MAINTENANCE

SAFETY AND MAINTENANCE

IMPLEMENT STORAGE AND RETURN TO SERVICE	10-60-1
Return to Service	10-60-1
Storage	10-60-1
INSPECTION	10-30-1
Implement Mounting Frame	10-30-1
Three-Point Hitch	10-30-2
LUBRICATING THE IMPLEMENT	10-80-1
Lubrication Locations	10-80-1
REGULAR MAINTENANCE ITEMS	10-70-1
Cleaning The Three-Point Finish Mower	10-70-1
Gearbox Fluid	10-70-1
REMOVAL AND INSTALLATION OF BELT	10-50-1
Procedure	10-50-1
Belt Routing	10-50-3
REMOVAL AND INSTALLATION OF CUTTING BLADES	10-40-1
Procedure	10-40-1
SERVICE SCHEDULE	10-20-1
Chart	10-20-1
TROUBLESHOOTING	10-10-1

Dealer Copy -- Not for Resale

TROUBLESHOOTING

Chart

TROUBLESHOOTING THE THREE-POINT FINISH MOWER		
PROBLEM	CAUSE	CORRECTION
Poor cutting	Travel speed too fast	Reduce travel speed
	Low blade RPM	Increase RPM
	Blade belt slipping	Adjust belt to correct tension
	Blades dull	Sharpen or replace the blades
Blades will not rotate	Worn or broken blade belt	Replace belt
	PTO driveline disconnected	Connect PTO driveline
Vibration	Build up of material on the bottom of the mower deck	Clean the bottom of the mower deck
	Loose or cracked hardware	Repair or replace as needed
	Blades worn or broken	Replace the blades
	Blade spindles bent	Replace spindles
	Blades not balanced	Balance or replace blades

Dealer Copy -- Not for Resale

SERVICE SCHEDULE

Chart

THREE-POINT FINISH MOWER SERVICE SCHEDULE

BEFORE SERVICING FINISH MOWER:

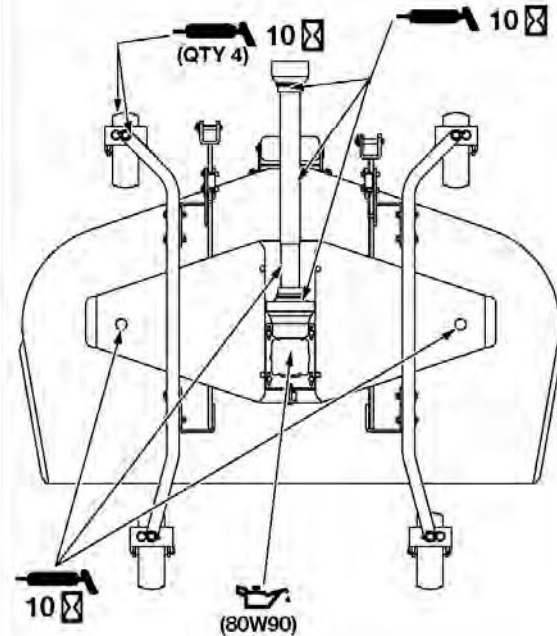
1. Lower three-point lift arms and put Finish Mower flat on ground.
2. Stop the engine and remove the key.
3. Make sure all Finish Mower components have stopped rotating.

EVERY 10 HOURS OF OPERATION:

1. Check blades and mounting plate for cracks or damage. Replace if necessary.
2. Check blade mounting hardware for proper torque 60 ft-lbs (85 N-m).
3. Check for damaged or missing guards and shields. Replace if necessary.
4. Check for damaged or missing decals. Replace if necessary.
5. Lubricate all (14) grease points.
6. Check lubrication level in gearbox (SAE 80W90).
7. Clean debris, grass, leaves, etc. from Finish Mower.
8. Check for proper belt tension
9. Lubricate all wheel support spindles
10. Check that all screws and bolts are tightened.

EVERY 50 HOURS OF OPERATION:

1. Change the oil in the gearbox (Use SAE 80W90)



SEE IMPLEMENT OPERATION AND MAINTENANCE MANUAL FOR MORE INSTRUCTIONS.

73311 SW

7169909 enUS

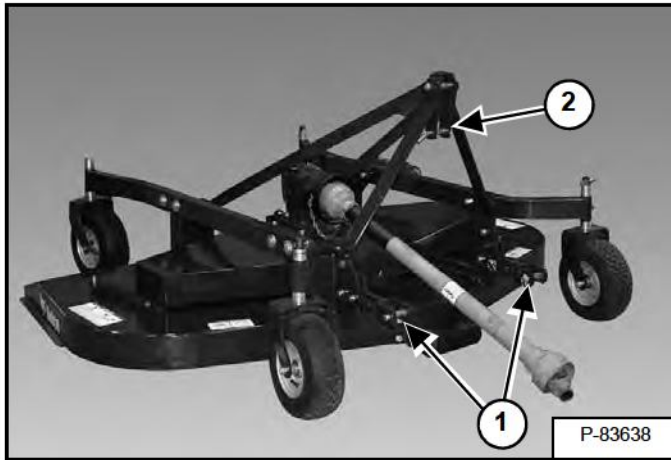
7169909G

Dealer Copy -- Not for Resale

INSPECTION

Implement Mounting Frame

Figure 10-30-1



Inspect the lower three-point mounts and lower mounting pins (Item 1) and upper three-point mount and pin (Item 2) [Figure 10-30-1], along with all welds on the three-point finish mower for wear and damage each time the three-point finish mower is removed from the machine.

Check the following items at the start of a work day:

- Check for damaged or missing decals. Replace if necessary.
- Replace any worn or damaged parts immediately.

INSPECTION (CONT'D)

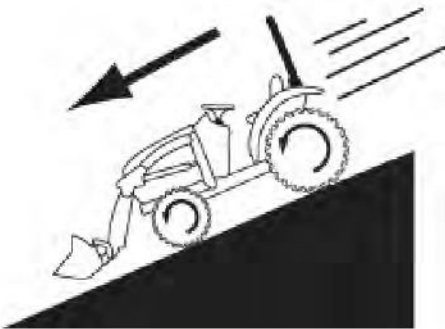
Three-Point Hitch

! WARNING

AVOID INJURY OR DEATH

The parking brake must be engaged before leaving the operator's seat. Rollaway can occur because the transmission may not prevent machine movement. Lock the brake pedals together before activating the parking brake.

W-2656-0807



! WARNING

AVOID INJURY OR DEATH

- Do NOT exceed the rated implement PTO speed.
- Stay clear of rotating driveline.
- Keep bystanders away.
- Keep hands, feet, clothing and long hair away.
- Keep PTO shields and all guards in place.
- Disengage PTO (rear and mid), engage the parking brake, stop the engine and make sure all rotating components are stopped before exiting compact tractor.
- Do NOT service the compact tractor or implement with the PTO (rear or mid) engaged.
- Do NOT service the implement in a raised position unless properly blocked and with all rotating components stopped.
- Disengage PTO (rear and mid) for road travel.

W-2697-1007

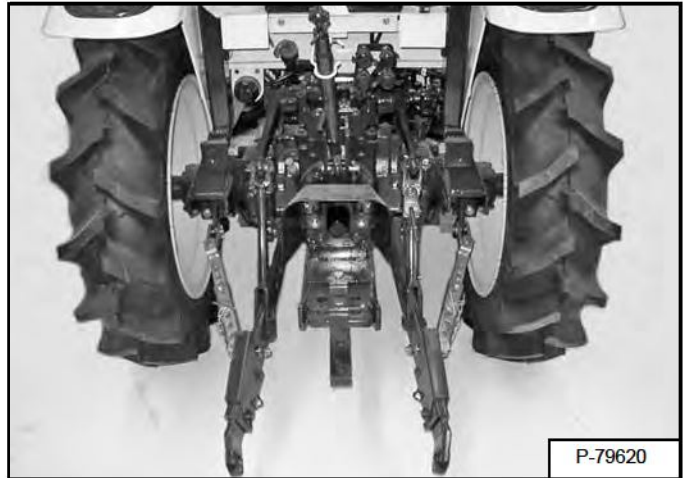
! DANGER

ROTATING BLADES WILL CAUSE SERIOUS INJURY OR DEATH

- Never put hands, feet or objects into or under mower when engine is running.
- Keep bystanders away.
- No riders.
- Stop engine before servicing.

D-1005-1108

Figure 10-30-2



Inspect the three-point hitch linkage, PTO shaft splines (if required), guards, and shields. Replace if damaged or missing [Figure 10-30-2]. Repair broken or loose parts.

See your machine's Operation & Maintenance Manual for detailed information on inspecting the machine.

Dealer Copy -- Not for Resale

Buy Now



Our support email:

ebooklibonline@outlook.com