

**Service  
Manual  
780 B  
Loader  
Backhoe**

9-69310

**Service  
Manual  
780 B  
Loader  
Backhoe**

9-69310

All Binders  
4.75 in



Large Binder  
2.85 in

Small Binder  
1.63 in

# 780B Loader Backhoe Table of Contents

DIVISION/SECTION	SECTION NO.	FORM NO.
<b>1 GENERAL</b>		
Safety Rules, Service Manual Introduction, and Torque		
Specifications .....	1001	9-69310
Maintenance and Lubrication .....	1002	9-69310
General Engine Specifications .....	1010	8-23230
Detailed Engine Specifications .....	1023	9-78647
<b>2 ENGINES</b>		
Engine Diagnosis - See Section 2201		
Engine Tune-Up .....	2002	8-23140
Engine Stall Tests .....	2003	9-69310
Engine Removal and Installation, Front Engine Support, and Hydraulic Pump Coupling .....	2004	9-69310
Engine Accessories (Air Cleaner, Radiator, and Cold Start System) .....	2005	9-69310
Cylinder Head, Valve Train, and Camshaft .....	2015	8-23250
Cylinder Block, Sleeves, Pistons, and Rods .....	2025	8-23160
Crankshaft, Main Bearings, Flywheel, and Oil Seals .....	2035	8-23170
Lubrication System with Front Mounted Oil Pump .....	2046	8-23270
Lubrication System with Two Gear Balancer and Oil Pump ....	2047	8-23180
Cooling System .....	2055	8-23190
Turbocharger .....	2065	8-23260
Engine Diagnosis .....	2201	8-20110
Reconditioning Engine Cylinder Block .....	2290	8-21170
Turbocharger Failure Analysis .....	2565	8-78235
<b>3 FUEL SYSTEM</b>		
Fuel System and Filters .....	3010	9-75297
Robert Bosch Fuel Injection Pump .....	3012	9-74937
17 mm fuel Injectors .....	3213	8-20240
Fuel Lines, Fuel Tank, and Engine Controls .....	3052	9-69310
Electric Fuel Pump .....	3053	9-69300
<b>4 ELECTRICAL</b>		
Electrical System Troubleshooting .....	4002	9-69300
Wiring Diagrams .....	4003	9-69310
Battery .....	4005	9-69310
Starter .....	4006	9-69300
Alternator .....	4007	9-69300
Instrument Cluster and Instrument Panel .....	4009	9-69300
<b>5 STEERING</b>		
Steering System Troubleshooting .....	5002	9-69310
Steering Control Valve and Steering Column .....	5007	9-69310
Steering Cylinders .....	5010	9-69310
Relief Valve and Check Valve .....	5011	9-69310
Front Axle .....	5021	9-69310

DIVISION/SECTION	SECTION NO.	FORM NO.
6	POWER TRAIN	
	General Transmission Information and Troubleshooting .....	6202 9-69310
	Transmission and Torque Converter .....	6210 9-69310
	Transmission Controls .....	6211 9-69300
	Drive Shaft .....	6222 9-69300
	Differential and Planetaries .....	6226 9-69300
	Wheels and Tires .....	6229 9-69310
7	BRAKES	
	Troubleshooting and General Information for the Air System .	7102 9-69300
	Air Compressor and Governor .....	7103 9-69310
	Air Reservoir and Relief Valve .....	7104 9-69300
	Brake Valves (Treadles) .....	7105 9-69300
	Brake Actuators .....	7107 9-69310
	Alcohol Evaporator .....	7111 9-69300
	Pressure Reducer Valve, Pressure Protection Valve, Double Check Valve, and Clutch Cutout Valve .....	7113 9-69300
	Brakes and Brake Adjusters .....	7123 9-69300
	Parking Brake Control Valve and Quick Release Valve .....	7126 9-69300
8	HYDRAULICS	
	Hydraulic System Diagrams, Maintenance, Troubleshooting, and Pressure Checks .....	8002 9-69310
	Cleaning the Hydraulic System .....	8003 9-69300
	Hydraulic Pump .....	8005 9-69310
	Flow Control Valve .....	8006 9-69310
	Loader Control Valve .....	8007 9-69310
	Loader and Backhoe Cylinders .....	8090 9-69310
	Backhoe Relief Valve .....	8106 9-69310
	Backhoe Control Valve .....	8107 9-69310
	Stabilizer Control Valve .....	8109 9-69310
	Boom Lock .....	8121 9-69310
9	MOUNTED EQUIPMENT	
	Air Conditioning Troubleshooting .....	9002 9-69300
	Air Conditioning System .....	9003 9-69310
	Loader .....	9010 9-69310
	Cab and Canopy .....	9061 9-69310
	Operators Seat and Seat Belts .....	9064 9-69310
	Backhoe .....	9100 9-69310
	Decals and Painting .....	9201 9-69310
	Noise Control .....	9203 9-69300

# Section 1001

## SAFETY RULES SERVICE MANUAL INTRODUCTION AND TORQUE SPECIFICATIONS

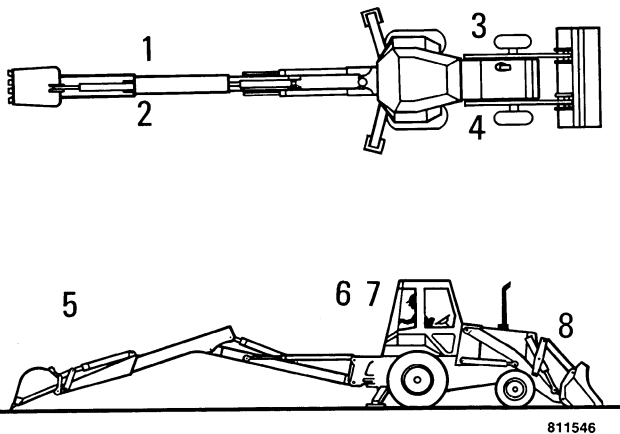
Written In *Clear  
And  
Simple  
English*

## SERVICE MANUAL INTRODUCTION

This service manual has been prepared with the latest service information available. Troubleshooting, removal, disassembly, inspection and installation procedures, and complete specifications and tightening references can be found in most sections. Some sections have drawings but no written procedure because the job is so easily done. This service manual is one of the most important tools available to the service technician.

### Right, Left, Front, and Rear

The terms right-hand and left-hand and front and rear as used in this manual indicate the right and left sides, and front and rear of the machine as seen from the operator's seat for correct operation of the machine or attachment.



- |                       |                  |
|-----------------------|------------------|
| 1. Right Side-Backhoe | 5. Front-Backhoe |
| 2. Left Side-Backhoe  | 6. Rear-Backhoe  |
| 3. Left Side-Machine  | 7. Rear-Machine  |
| 4. Right Side-Machine | 8. Front-Machine |

Figure 5

### Text

If the service manual is for more than one machine or different models of components (planetary axles, gear boxes, control valves, etc.) the procedures have the steps necessary to service each model.

### Table of Contents

A Table of Contents is in the front of this manual. The Table of Contents shows the main divisions and the sections that are in each division. The individual sections, where necessary, have a Table of Contents on the second page of that section.

### Page Numbers

All page numbers are made of two numbers separated by a dash, such as 4002-9. The number before the dash is the section number. The number following the dash is the page number in that section. Page numbers will be found at the upper right or left of each page.

### Illustrations

Illustrations are put as near as possible to the text and are to be used as part of the text.

### Classification of Lubricants

The SAE number is the viscosity of engine oils; for example, SAE 30, a single viscosity oil. SAE 10W30 is a variable viscosity oil.

The API classification (SD, CD, etc.) is the oil performance in terms of engine usage. Only oil specified in Section 1002 can be used. These oils have the needed chemical additives to give maximum engine protection. Both the SAE grade and API classification must be found on the container.

### Gear Lubricant and Grease

Gear lubricant and grease for each application is specified in Section 1002.

### Special Tools

Special tools are needed to remove and install, disassemble and assemble, check and adjust some component parts of this machine. Some special tools can be easily made locally and the necessary information to make the tool is in this service manual. Other special tools are more difficult to make locally and are available from Service Tools in the U.S. and from Jobborn Manufacturing in Canada. Use these tools according to the instructions in this service manual for your personal safety and to do the job correctly.

Order special tools from either of the following companies:

Service Tools  
P.O. Box 314  
Owatonna, Minnesota 55060

Jobborn Manufacturing Co.  
97 Frid Street  
Hamilton, Ontario L8P 4M3  
Canada

Thank you so much for reading.  
Please click the “Buy Now!”  
button below to download the  
complete manual.



After you pay.

You can download the most  
perfect and complete manual in  
the world immediately.

Our support email:

[ebooklibonline@outlook.com](mailto:ebooklibonline@outlook.com)