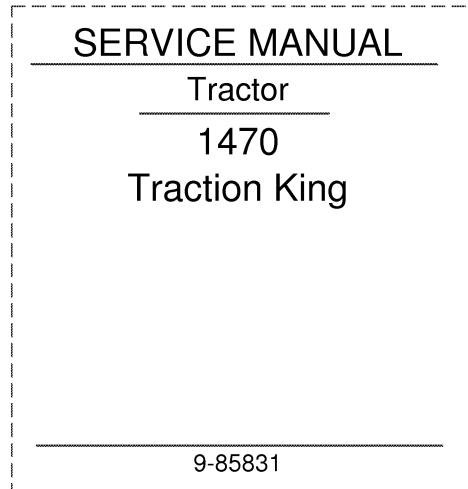


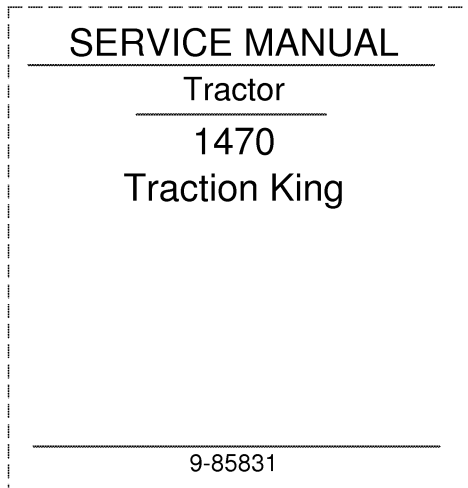
1. Trim along dashed line.
2. Slide into pocket on Binder Spine.

TYPE 1-4



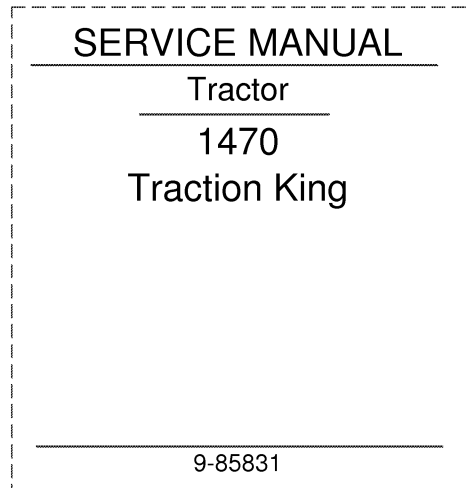
1. Trim along dashed line.
2. Slide into pocket on Binder Spine.

TYPE 1-4



1. Trim along dashed line.
2. Slide into pocket on Binder Spine.

TYPE 1-4



1. Trim along dashed line.
2. Slide into pocket on Binder Spine.

TYPE 1-4

TABLE OF CONTENTS

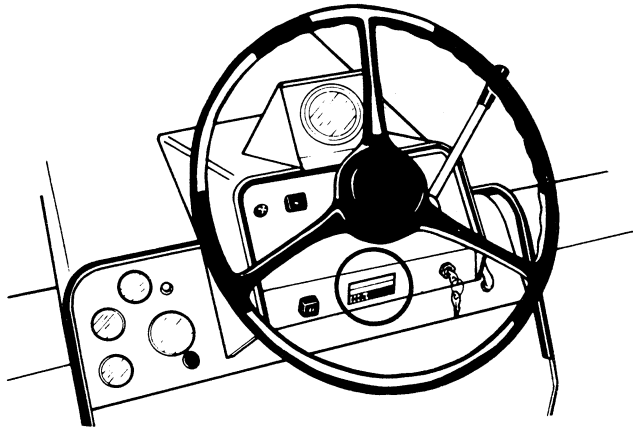
1470 TRACTION KING TRACTOR

SERIES	SECTION	DESCRIPTION	FORM NUMBER
10		GENERAL	
	11	General Specifications	9-80141
	12	Detailed Specifications	9-85652
20		ENGINES	
	2010	Cylinder Head and Valves	9-75315
	2011	Engine Block Assemblies	9-75225
	25	Cooling System - Engine Oil Filter	9-79421
30		FUEL SYSTEM	
	3010	Fuel System and Filters	9-75297
	3012	Robert Bosch Fuel Injection Pumps	9-74937
	3013	Roosa Master Fuel Injectors	9-74959
40		HYDRAULICS	
	4019	Break-Away Couplings and Portable Cylinders	9-74197
	D	Three Point Hitch System	9-85701
	DD	Hydraulic Control Valve and System	9-85711
	J	Hydraulic Pump	9-85721
50		STEERING	
	O	Steering System	9-85732
60		POWER TRAIN	
	S	8-Speed Transmission	9-85661
	SS	15" Traction Clutch	9-85741
	3S	Independent PTO	9-85671
	T	Differentials and Drive Shafts	9-85771
	U	Planetaries and Axles	9-85761
70		BRAKES	
	3W	Caliper Brake (Prior to SN9812301)	9-85752
	3WW	Caliper Brake (SN9812301 and after)	9-86221
80		ELECTRICAL	
		Wiring Diagrams	9-85691

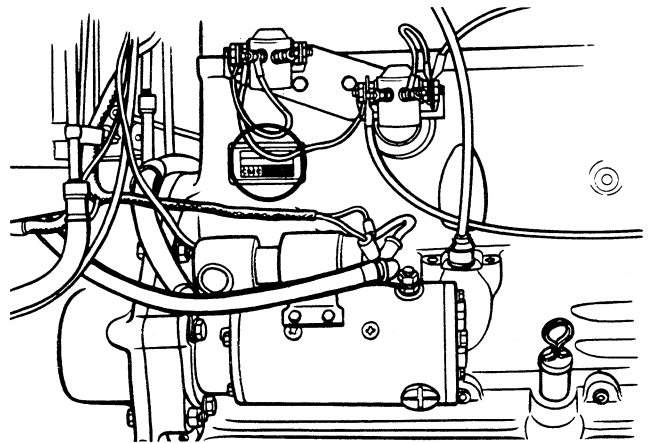
Section 11

GENERAL SPECIFICATIONS 1470 TRACTORS

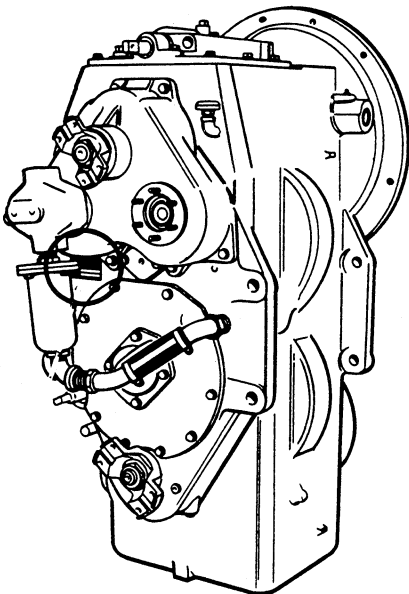
SERIAL NUMBERS



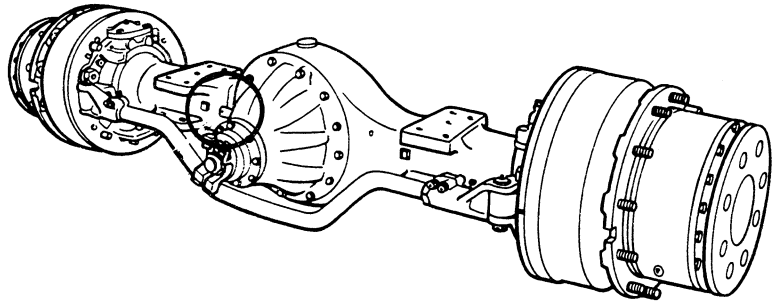
TRACTOR SERIAL NUMBER



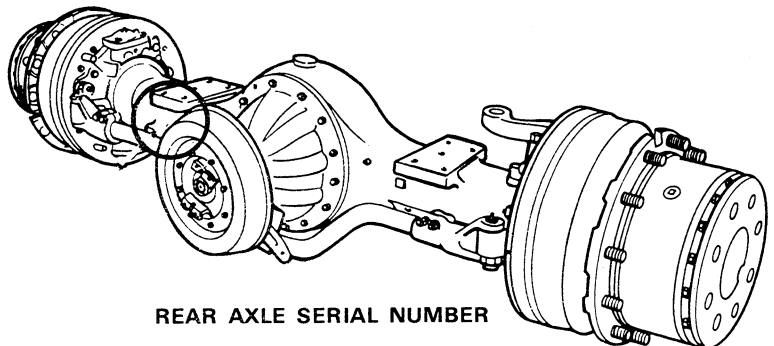
ENGINE SERIAL NUMBER



TRANSMISSION SERIAL NUMBER



FRONT AXLE SERIAL NUMBER



REAR AXLE SERIAL NUMBER

DIESEL ENGINE

General

Type	6 Cylinder, 4 Stroke Cycle, Valve-in-Head Turbo Charged
Firing Order	1-5-3-6-2-4
Bore	4-5/8 Inches
Stroke	5 Inches
Piston Displacement	504 Cubic Inches
Compression Ratio	16.5 to 1
Cylinder Sleeves	Removable Wet Type
No Load Governed Speed	2160 RPM
Rated Engine Speed	2000 RPM
Engine Idling Speed	750 RPM
*Valve Tappet Clearance (Exhaust)	(Hot) .020 Inch (Cold) .015 Inch
(Intake)	(Hot and Cold) .015 Inch

*Hot Settings Are Made After the Engine Has Operated At Thermostat Controlled Temperature For At Least Fifteen Minutes.

Piston and Connecting Rods

Rings per Piston	3
Number of Compression Rings	2
Number of Oil Rings	1
Type Pins	Full Floating Type
Type Bearing	Replaceable Precision, Steel Back, Copper-Lead Alloy Liners.

Main Bearings

Number of Bearings	7
Type Bearings	Replaceable Precision Steel Back, Copper-Lead Alloy Liners.

Engine Lubricating System

Oil Pressure	45 to 55 Pounds with Engine Warm and Operating at Rated Engine Speed.
Type System	Pressure and Spray Circulation
Oil Pump	Gear Type
Oil Filter	Full Flow Spin on Type

Fuel System

Fuel Injection Pump	Robert Bosch, Type PES(Multiple Plunger).
Pump Timing	29 Degrees Before Top Dead Center (Port Closing).
Fuel Injectors	Pencil Type (Opening Pressure 2800 PSI).

Fuel Transfer Pump	Plunger Type, Integral Part of Injection Pump.
Governor	Variable Speed, Fly-Weight Centrifugal Type, Integral Part of Injection Pump.
1st Stage Fuel Filter	Full Flow Spin on Type
2nd Stage Fuel Filter	Full Flow Spin on Type
Fuel Tank Water Trap and Drain	Located in Base of Fuel Tank
Fuel Tank Capacity	100 U.S. Gallons
Fuel Level Gauge	Float, Located on Top of Fuel Tank.

GENERAL SPECIFICATIONS

Cooling System

Capacity	40 U.S. Quarts
Type of System	Pressurized Thermostat Controlled By-Pass Type; Forced Circulation (Impeller Type Pump).
Thermostat	Starts to Open at Approximately 179°F. Fully Open at 202°F.
Pressure Cap	7 PSI
Radiator Shutter	Available
When using a properly operating pressure cap, the engine temperature can safely rise to 230°F.	

Electrical System

Type of System - Diesel	24 Volt Negative Ground
Batteries	(2) 12 Volt Batteries Connected in Series Group Size 30H, Rated at 1.255 to 1.265 Specific Gravity. Discharge Rate 300 Amps at 0°F. Voltage drops to 9.2 after 10 seconds. Voltage drops 1.0 Volt per cell after 5 minutes.
Alternator	24 Volt 35 Amp Output
Voltage Regulator	24 Volt, Transistor
Starter Motor	24 Volt with Solenoid Switch
Lights (4) Front Driving and Flood	24 Volt 50 Watt, Sealed Beam
Lights (2) Rear Flood	24 Volt 50 Watt, Sealed Beam
Amber Warning Lights (2)	24 Volt, Double Face, Flasher Type
Rear Warning Lights (2)	24 Volt, Combination Stop and Tail Light

Parking Brake

Type Cable Actuated by Orchlin Type Handle - Adjustable from Operator's Seat.

Hydraulic Brakes

Type Hydraulic, Self-Adjusting Caliper Disc Type

Thank you so much for reading.
Please click the “Buy Now!”
button below to download the
complete manual.



After you pay.

You can download the most
perfect and complete manual in
the world immediately.

Our support email:

ebooklibonline@outlook.com