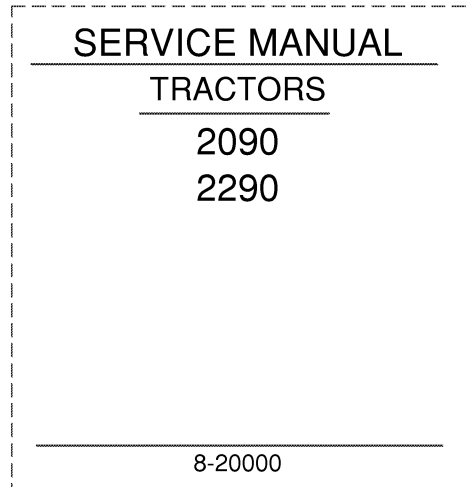


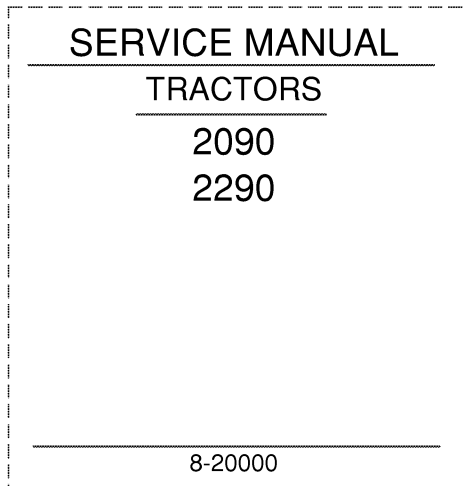
1. Trim along dashed line.
2. Slide into pocket on Binder Spine.

TYPE 1-4



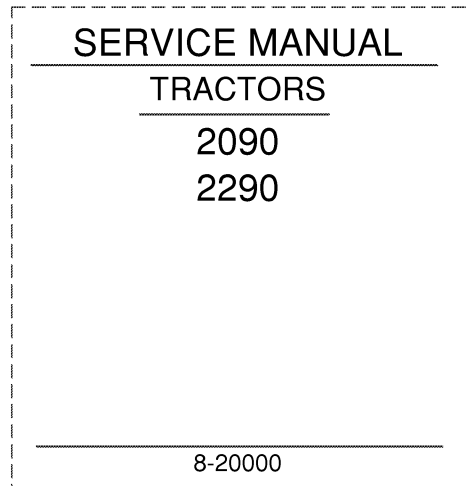
1. Trim along dashed line.
2. Slide into pocket on Binder Spine.

TYPE 1-4



1. Trim along dashed line.
2. Slide into pocket on Binder Spine.

TYPE 1-4



1. Trim along dashed line.
2. Slide into pocket on Binder Spine.

TYPE 1-4

# TABLE OF CONTENTS

## 2090 AND 2290 TRACTORS

SERIES	SECTION	DESCRIPTION	FORM NUMBER
10	<b>GENERAL</b>		
	1210	General Specifications - 2090 Tractors .....	8-20020
	1211	General Specifications - 2290 Tractors .....	8-20030
	1212	Lubrication - 2090 Tractors .....	8-20760
	1213	Lubrication - 2290 Tractors .....	8-20770
	1320	Engine Specifications 504BDT Engine .....	8-20040
	1420	Engine Specifications 504BD Engine .....	8-20050
	1230	Fuel System Specifications .....	8-20062
	1250	Steering Specifications .....	8-20070
	1260	Power Train Specifications .....	8-20080
	1270	Brake System Specifications .....	8-20090
	1280	Hydraulic System Specifications .....	8-20100
20	<b>ENGINES</b>		
	2201	Trouble Shooting - Engine .....	8-20111
	2202	Engine Tune-Up .....	8-20120
	2210	Tractor Split (Between Engine and Torque Tube) .....	8-20130
	2215	Cylinder Head, Valve Train and Camshaft .....	8-20140
	2225	Cylinder Block, Sleeves, Pistons and Rods .....	8-20150
	2235	Crankshaft, Main Bearing, Flywheel and Oil Seals .....	8-20160
	2245	Lubrication System - Oil Pump, Oil Pan and Heat Exchanger .....	8-20910
	2255	Cooling System .....	8-20180
	2265	Turbocharger - T04B .....	8-20190
	2565	Turbocharger Failure Analysis .....	9-78235
	2275	Air Induction System - 2290 Tractors .....	8-20210
	2375	Air Cleaner System - 2090 Tractors .....	8-20170
	2290	Reconditioning Engine Cylinder Block .....	8-21170
30	<b>FUEL SYSTEM</b>		
	3210	Fuel System and Filters .....	8-20220
	3212	Robert Bosch Fuel Injection Pumps .....	8-20230
	3213	American Bosch Fuel Injectors .....	8-20240
40	<b>ELECTRICAL</b>		
	4201	Electrical System Troubleshooting .....	8-22580
	4210	Tractor Electrical Wiring Diagram (Prior to P.I.N. 8841101) .....	8-20261
	4210	Tractor Electrical Wiring Diagram (P.I.N. 8841101 and After) .....	8-22640
	4220	Cab Electrical Wiring Diagram (Prior to Cab SN12008153) .....	8-20270
	4220	Cab Electrical Wiring Diagram (Cab SN12008153 and After) .....	8-22650
	4230	Starting Motors - Delco-Remy .....	8-21420
	4230	Starting Motors - Nippondenso .....	8-25980
	4235	Battery Servicing and Testing .....	8-20291
	4240	Delco-Remy Alternator System .....	8-21430
	4280	Neutral Start Switch Adjustment and Correct Starting Procedure Using Booster Batteries .....	8-20310
50	<b>STEERING</b>		
	5205	Testing Tractor Steering System .....	8-20330
	5210	Steering Column, Pump and Valve .....	8-20341
	5220	Steering Cylinder .....	8-20351
	5230	Front Steering Axle and Lines .....	8-20361

Reprinted

SERIES	SECTION	DESCRIPTION	FORM NUMBER	
60	<b>POWER TRAIN</b>			
	6201	Trouble Shooting - RPS-34 Power Shift Transmission and PTO .....	8-20370	
	6205	Testing RPS-34 Power Shift Transmission and PTO .....	8-20380	
	6225	Hydraulic Pump Drive .....	8-24820	
	6245	Hydraulic PTO - 540 and 1000 RPM .....	8-20411	
	6345	Hydraulic PTO - 1000 RPM .....	8-21291	
	6250	Rear Axles and Planetaries .....	8-20420	
	6255	Differential and Differential Lock .....	8-20430	
	<b>Mechanical Shift Tractors</b>			
	6310	Tractor Split (Between Torque Tube and Transmission) .....	8-20390	
	6320	Master Hydraulic Clutch .....	8-20440	
	6330	Hi-Lo and Reverse Range .....	8-20451	
	6335	Master Clutch Valve and Linkage .....	8-20460	
	6340	Four Speed Transmission .....	8-20470	
	<b>Power Shift Tractors</b>			
	6420	Torque Limiter Clutch .....	8-20481	
	6430	RPS-34 Power Shift .....	8-20490	
	6435	RPS-34 Control Valve and Linkage .....	8-20500	
	6440	Four Speed Transmission .....	8-20510	
	70	<b>BRAKES</b>		
		7210	Power Assist Unit and Pedals .....	8-20520
7215		Park Lock System .....	8-20531	
	7220	Brake Cylinders .....	8-20540	
80	<b>HYDRAULIC</b>			
	8202	Trouble Shooting - Hitch System .....	8-20560	
	8205	Testing Tractor Hydraulic System .....	8-20571	
	8210	Hydraulic Oil Filters .....	8-20581	
	8220	Hydraulic Charging Pump .....	8-20591	
	8225	Hydraulic Pump .....	8-20601	
	8250	Remote Hydraulic Valves .....	8-20610	
	8255	Flow Divider and PTO Control Valve .....	8-20620	
	8280	Hitch System .....	8-20631	
	8290	Break-Away Couplings and Portable Cylinders .....	8-20640	
	90	<b>ACCESSORIES</b>		
9205		Trouble Shooting - Air Conditioning System .....	8-20650	
9215		Gauging and Testing Air Conditioning System .....	8-20660	
9225		Compressor Isolation, Removal, Installation and Evacuation - Discharging, Evacuation and Charging the Air Conditioning System .....	8-20670	
9235		Servicing Air Conditioner Components .....	8-20680	
9245		Servicing the Cab Blower .....	8-20690	
9250		Operators Seat Adjustments .....	8-20700	
9260		Removal of Tilting Hood, Grill and Side Panels .....	8-20710	
9360		Removal of Sliding Hood, Grille and Side Panels .....	8-20720	
100		<b>HOW IT WORKS</b>		
	18201	Tractor Hydraulics System Oil Flows .....	8-21330	
	18225	Case CON TROL Hydraulics .....	8-21350	

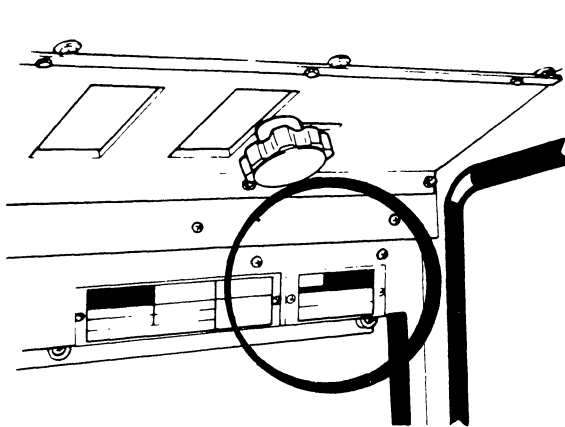
# Section 1210

## GENERAL SPECIFICATIONS

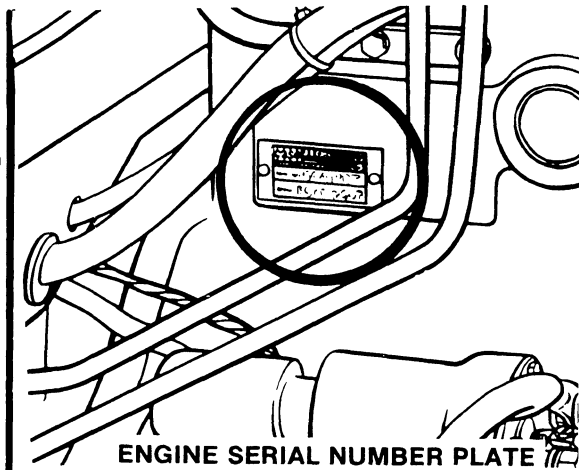
### 2090 Tractors

Written In *Clear  
And  
Simple  
English*

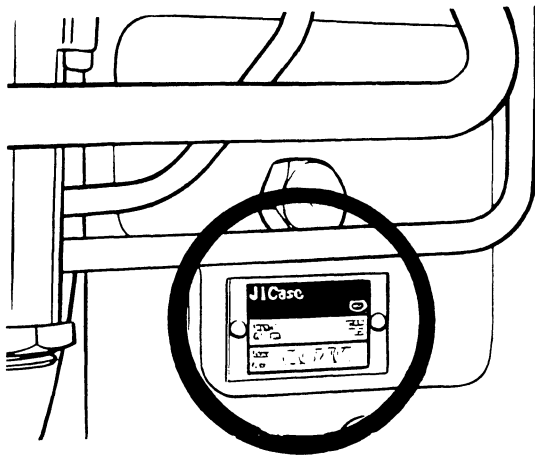
## SERIAL NUMBERS



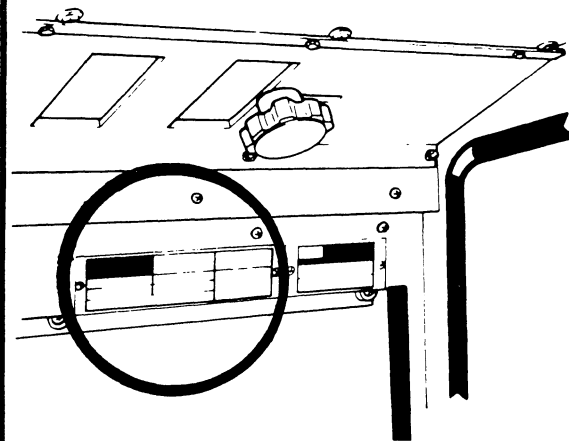
**MODEL AND PRODUCT IDENTIFICATION  
NUMBER PLATE**



**ENGINE SERIAL NUMBER PLATE**



**TRANSMISSION SERIAL NUMBER PLATE**



**CAB SERIAL NUMBER PLATE**

Thank you so much for reading.  
Please click the “Buy Now!”  
button below to download the  
complete manual.



After you pay.

You can download the most  
perfect and complete manual in  
the world immediately.

Our support email:

[ebooklibonline@outlook.com](mailto:ebooklibonline@outlook.com)