

## W9, W9A, W10, AND W12 LOADERS TABLE OF CONTENTS

SERIES/SECTION	SECTION NO.	FORM NO.
10 SERIES - GENERAL		
Specifications for W9 and W9A Engines . . . . .	C	9-74563
Specifications for W10 and W12 Engines . . . . .	CC	9-74562
20 SERIES - ENGINE		
Cylinder Heads, Valve Systems, Rocker Arms, Decompressor on Diesel Engines . . . . .	K	9-76972
Cylinder Heads, Valve Systems, Rocker Arms on Spark Ignition Engines . . . . .	L	9-76962
Assemblies Contained in Engine Block . . . . .	M	9-75222
Engine Counter Balancer . . . . .	MM	9-76731
Water Pump . . . . .	3M	9-76741
Spark Ignition Governor . . . . .	4M	9-76751
Governor Linkage . . . . .	None	9-75711
30 SERIES - FUEL SYSTEM		
Fuel Injectors, Fuel Injection Pump . . . . .	I	9-75421
TSX Series Gasoline Carburetor . . . . .	N	9-75771
40 SERIES - HYDRAULICS		
Relief Valve Pressure Setting . . . . .	None	9-74562
Hydraulic Cylinders . . . . .	A	9-76621
"H" Series Gear Type Hydraulic Pump . . . . .	B	9-74562
VDP-4 and VY-5 Hydraulic Control Valves . . . . .	D	9-74562
Relief Valve and Lift Spool on VY-5 Hydraulic Control Valve . . . . .	D, Supp't 1	9-74562
VDP-14 Hydraulic Control Valve . . . . .	DD	9-74561
Model 32 Backhoe . . . . .	3D	9-75091
50 SERIES - STEERING		
Combined Unit Power Steering Valve and Gear Box, Steering Linkage, Power Steering Cylinder (W9 and W9A) . . . . .	O	9-74561
Gear and Roll Type Power Steering Pumps . . . . .	P	9-74561
Combined Unit Power Steering Cylinder and Valve, Steering Linkage, Steering Gear Box (W10 and W12) . . . . .	Q	9-74563
60 SERIES - POWER TRAIN		
Model CRT 3331-1 Allison Torqmatic Transmission . . .	None	SA1073
Single Reduction Differentials, Universal Joints, Drive Shafts . . . . .	T	9-74561
Planetaries and Axles . . . . .	U	9-74561

SERIES/SECTION

SECTION NO.

FORM NO.

70	SERIES - BRAKES		
	Series "01" Hydraulic Brake Cylinder, Brake Shoes and Drums (W9, W9A) . . . . .	W	9-74562
	Power Assist Hydraulic Brake Valve, Brake Shoes and Drums (W10 and W12) . . . . .	WW	9-74562
	Hydrovac Brake System . . . . .	3W	9-74563
80	SERIES - ELECTRICAL		
	Wiring Diagrams		
	W9 Gasoline Electrical Systems . . . . .	None	9-76701
	W9A Gasoline Electrical Systems . . . . .	None	9-76711
	W10, W12 Diesel Electrical Systems . . . . .	None	9-76691
	Electrical System, Cranking Circuit, Charging Circuit (24-volt Alternator) . . . . .	F	9-75202
	Electrical System . . . . .	3F	9-76721

**SECTION**

**K**

**SERVICING THE**



**CYLINDER HEADS**



**VALVE SYSTEMS**



**ROCKER ARMS**



**DECOMPRESSOR**

**ON**

**CASE POWRCEL DIESEL ENGINES**

## TABLE OF CONTENTS

CYLINDER HEAD AND COMPONENTS - Disassembly and Installation . . . . .	K-2 thru K-5
DECOMPRESSOR (If So Equipped) - Disassembly and Assembly . . . . .	K-6
ROCKER ARMS AND SHAFTS - Disassembly, Inspection and Assembly . . . . .	K-8
CYLINDER HEAD AND VALVES - Disassembly and Assembly . . . . .	K-10
EXHAUST VALVE ROTATORS . . . . .	K-10
VALVES, GUIDES AND SPRINGS - Inspection . . . . .	K-12
INTAKE AND EXHAUST VALVES - Refacing . . . . .	K-14
INTAKE AND EXHAUST VALVE SEATS - Grinding . . . . .	K-15
LOCATING TOP DEAD CENTER AND TAPPET ADJUSTMENT . . . . .	K-16

## CYLINDER HEAD AND COMPONENTS

(Refer to Figure K-1)

### Removal

Steam clean the engine completely before doing any disassembly or service work.

Drain cooling system. Remove the intake, exhaust and water manifolds. Remove the rocker arm covers. Disconnect and remove the decompressor if so equipped, Page K-6.

Remove the rocker arm assemblies and tag them for proper installation. (Refer to Page K-8.

Disconnect the high pressure fuel lines to

the injectors and cap them. Disconnect the fuel leak-off tubes between each cylinder head and cap them.

Remove the push rods and tag or store them in a holder or rack so they can be installed in their same locations.

Remove the cylinder head bolts or nuts and lift the heads off the engine. Remove the head gaskets and discard them.

### Inspection and Installation

Remove all carbon and clean all parts before installation.

#### STANDARD HEAD GASKETS

If you are installing the standard gasket, install the new gasket with new rubber seals. The gasket must be installed with either the copper side up or the side with the case part number up. Continued on Page K-5.

#### FIRE RING HEAD GASKETS

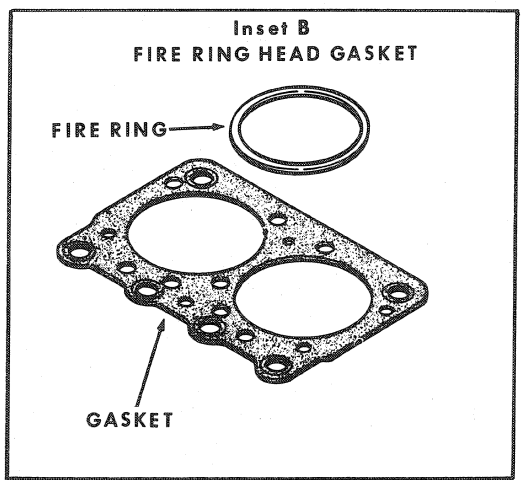
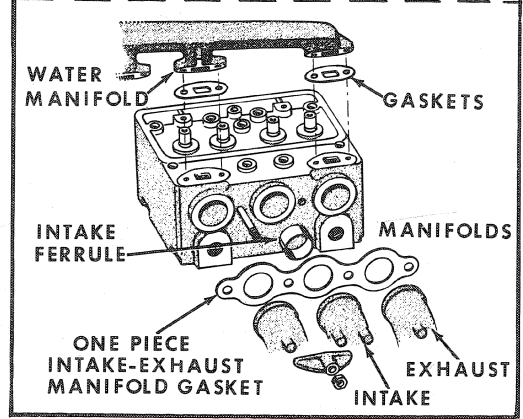
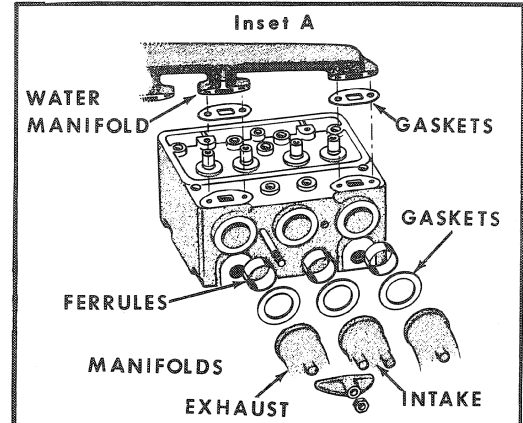
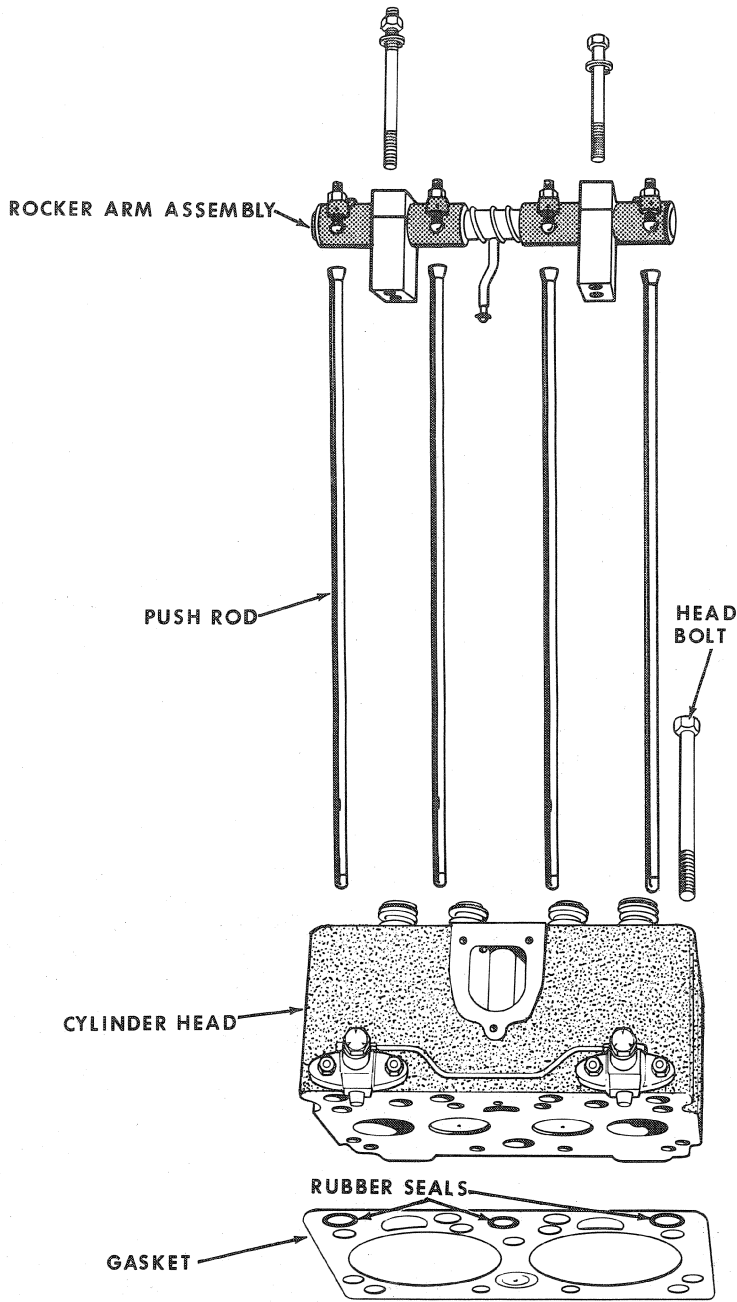
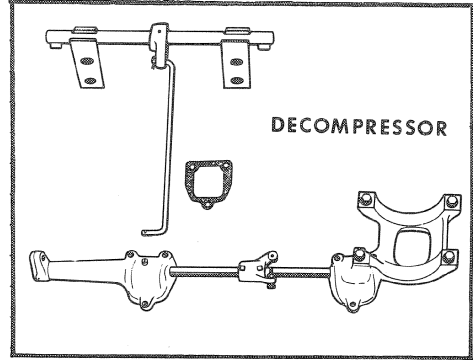
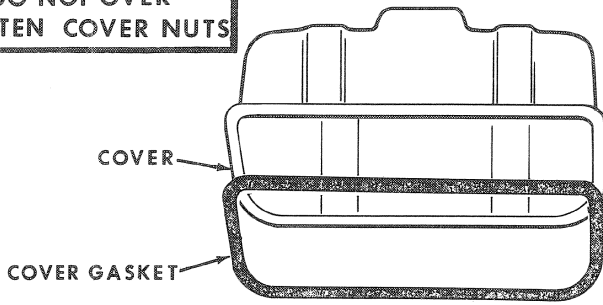
If you are installing the fire ring head gasket, inset B, cylinder sleeve protrusion

must be checked to determine which fire ring to install. Only the standard fire ring is included in the valve grind gasket kit, however a thicker fire ring (.004") is available if the protrusion checks indicate a need for it. The thicker fire ring can be identified by a blue marking stripe.

Refer to Pages K-4 and K-5 for the procedure to follow when installing the fire ring cylinder head gasket.

# REMOVAL AND INSTALLATION OF CYLINDER HEAD AND COMPONENTS

**CAUTION**  
DO NOT OVER  
TIGHTEN COVER NUTS



Thank you so much for reading.  
Please click the “Buy Now!”  
button below to download the  
complete manual.



After you pay.

You can download the most  
perfect and complete manual in  
the world immediately.

Our support email:

[ebooklibonline@outlook.com](mailto:ebooklibonline@outlook.com)