



Service Repair Manual

Models

120H Motor Grader

Product: MOTOR GRADER

Model: 120H MOTOR GRADER 124

Configuration: 120H Motor Grader 12400001-UP (MACHINE) POWERED BY 3126B Engine

Disassembly and Assembly 120H and 135H Motor Graders Power Train

Media Number -REN4160-05

Publication Date -01/04/2005

Date Updated -22/05/2017

i07011874

Service Brake (Wheel Spindle) - Assemble

SMCS - 4002-016

Assembly Procedure

Table 1

Required Tools			
Tool	Part Number	Part Description	Qty
A	1P-2420	Transmission Repair Stand	1
B	138-7574	Link Bracket	2
C		7/16 IN - 14 NC × 6 Guide Studs	3
		7/16 IN - 14 NC Nuts	3
		7/16 IN Washers	3
D	169-0503	Installation Kit	1
	1U-8698	Duo-Cone Seal Installer As	1
E	7M-7456	Bearing Mount Compound	
F		SAE 30	
G	6V-2055	Micrometer Depth Gauge Gp	1

Note: Cleanliness is an important factor. Before assembly, all parts should be thoroughly cleaned in cleaning fluid. Allow the parts to air dry. Do not use wiping cloths or rags to dry parts. Lint may be deposited on the parts which may cause later trouble. Inspect all parts. If any parts are worn or damaged, use new parts for replacement.

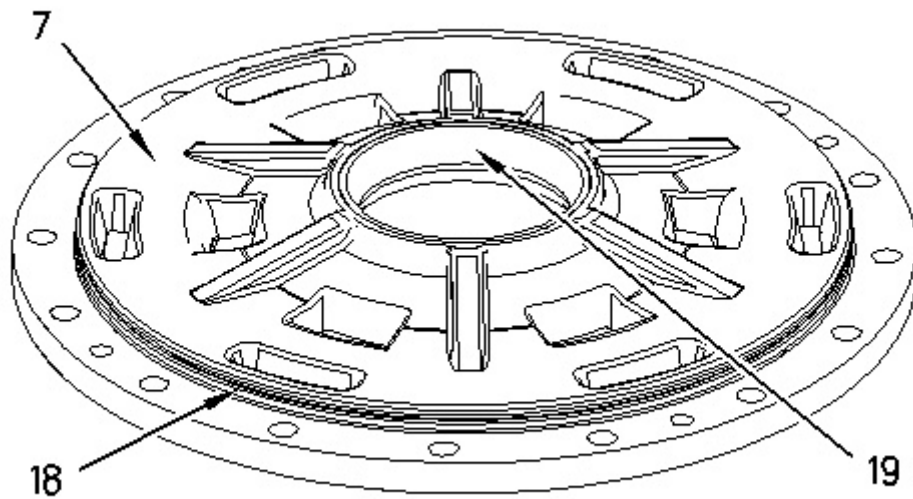


Illustration 1

g00925109

1. Lower the temperature of cup (19) to Install bearing cup (19) in cover (7).
2. Install O-ring seal (18). Lubricate O-ring seal (18) lightly with the lubricant that is being sealed.

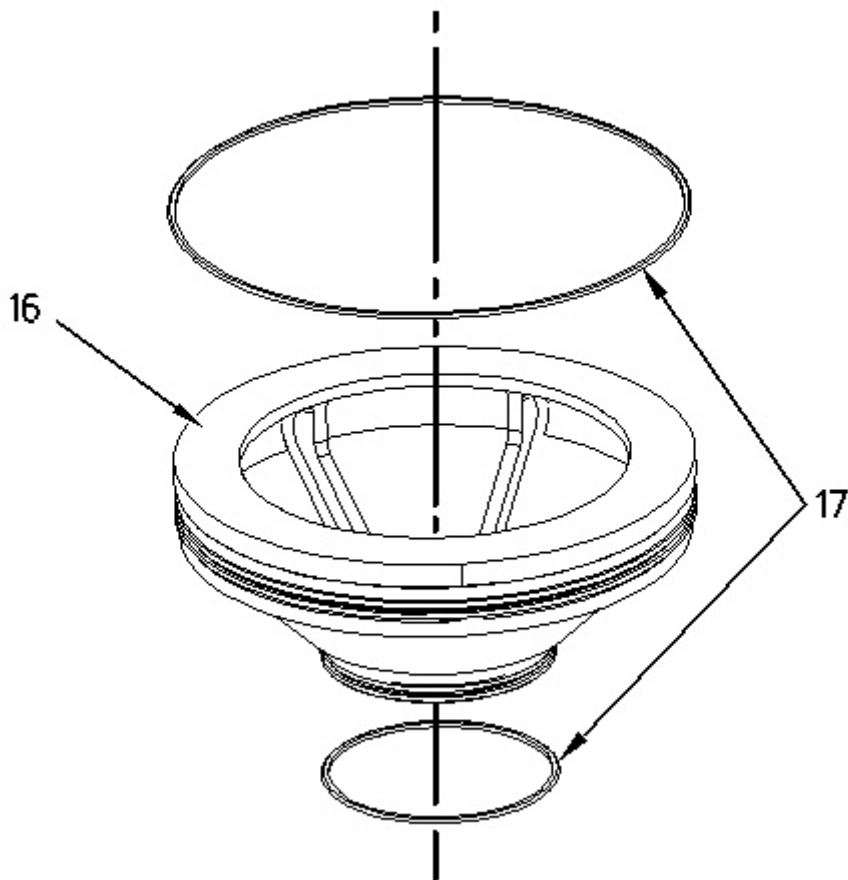


Illustration 2

g00924449

3. Install D-ring seals (17) on piston (16). Lubricate D-ring seals (17) lightly with the lubricant that is being sealed.

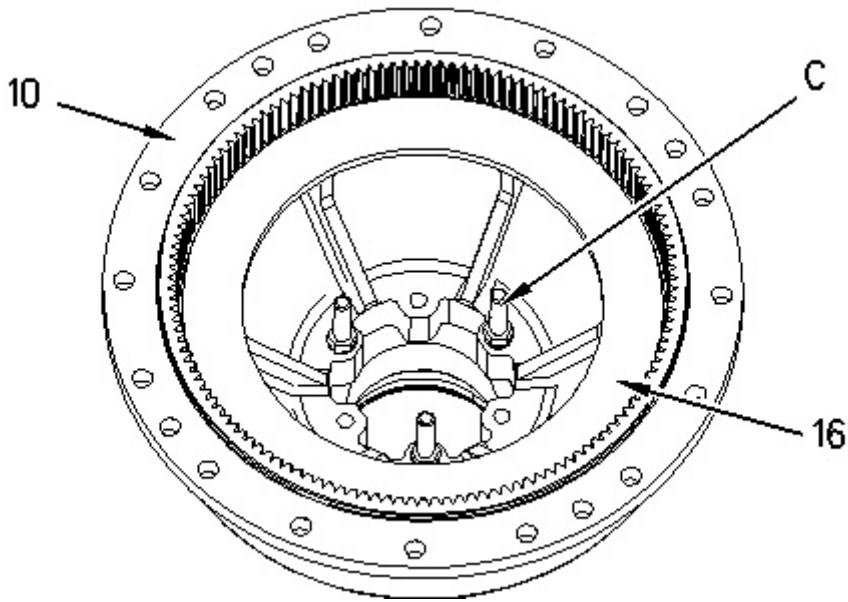


Illustration 3

g00925439

4. Install Tooling (C) on piston (16) and pull piston (16) into housing (10) evenly.
5. Remove Tooling (C).

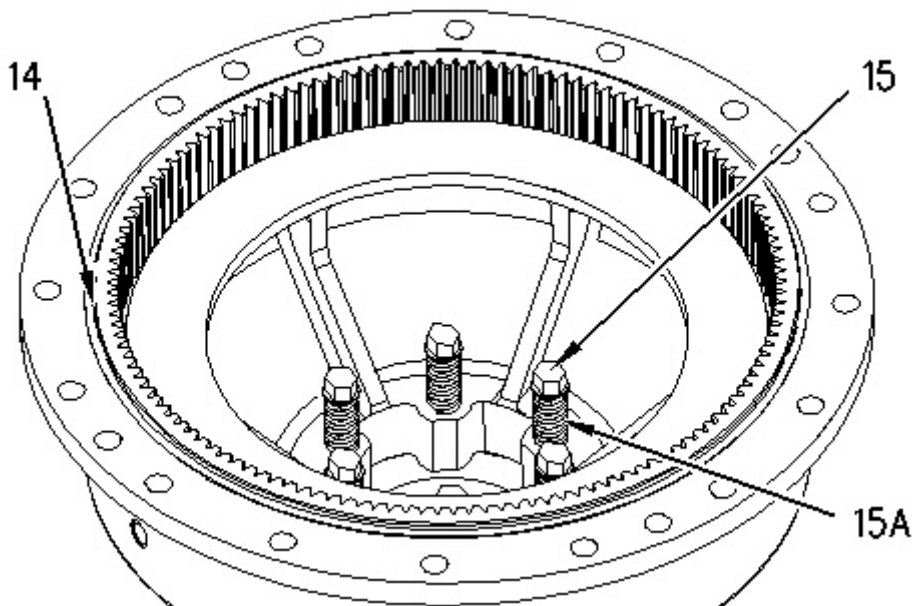


Illustration 4

g00924445

 **WARNING**

Personal injury can result from being struck by parts propelled by a released spring force.

Make sure to wear all necessary protective equipment.

Follow the recommended procedure and use all recommended tooling to release the spring force.

6. Install springs (15A), the washers, and bolts (15). Tighten bolts (15) to a torque of $40 \pm 7 \text{ N}\cdot\text{m}$ ($30 \pm 5 \text{ lb ft}$). Install O-ring seal (14). Lubricate O-ring seal (14) lightly with the lubricant that is being sealed.
-

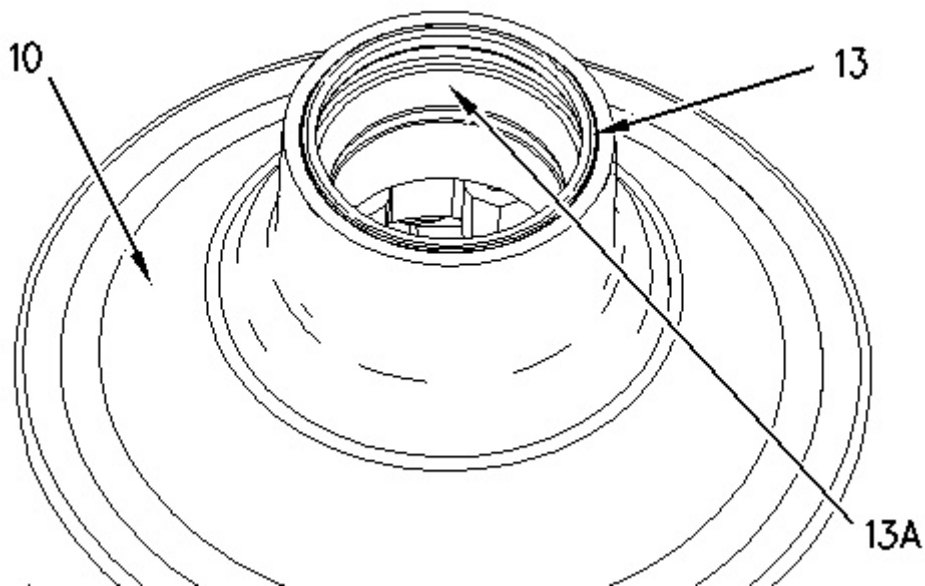


Illustration 5

g00924443

7. Lower the temperature of bearing cup (13A) to install bearing cup (13A) in housing (10).
 8. Use Tooling (D) to install Duo-Cone seal (13) in housing (10). Refer to Disassembly and Assembly, "Duo-Cone Conventional Seals - Install".
-

Thank you so much for reading.
Please click the “Buy Now!”
button below to download the
complete manual.



After you pay.

You can download the most
perfect and complete manual in
the world immediately.

Our support email:

ebooklibonline@outlook.com