



Service Repair Manual

Models

140M 2 MOTOR GRADER

Product: MOTOR GRADER

Model: 140M 2 MOTOR GRADER R9M

Configuration: 140M Series 2 Motor Grader R9M00001-UP (MACHINE) POWERED BY C9 Engine

Disassembly and Assembly

12M Series 2, 140M Series 2 and 160M Series 2 Motor Graders Engine Supplement

Media Number -KENR8898-05

Publication Date -01/10/2018

Date Updated -30/10/2018

i05534526

Rear Gear Group - Remove and Install

SMCS - 1204-010; 1206-010

Removal Procedure

Table 1

Required Tools			
Tool	Part Number	Part Description	Qty
A	1P-0520	Driver Gp	1
B	1P-0510	Driver Gp	1

Start By:

- a. Remove the flywheel and pump drive gear.

NOTICE

Keep all parts clean from contaminants.

Contaminants may cause rapid wear and shortened component life.

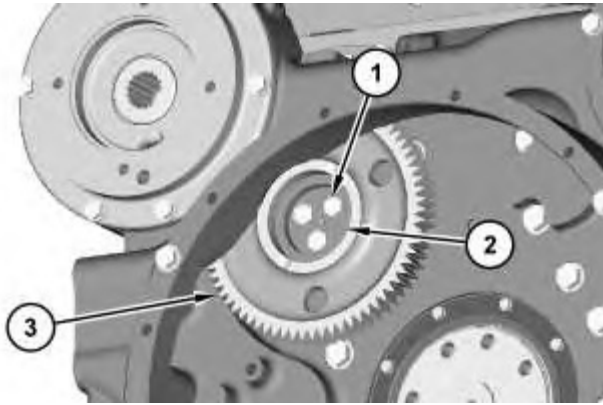


Illustration 1

g01386202

1. Remove bolts (1) and remove retainer (2). Remove gear assembly (3).



Illustration 2

g01383924

2. Use Tooling (A) in order to remove bushing (4) from gear assembly (3).

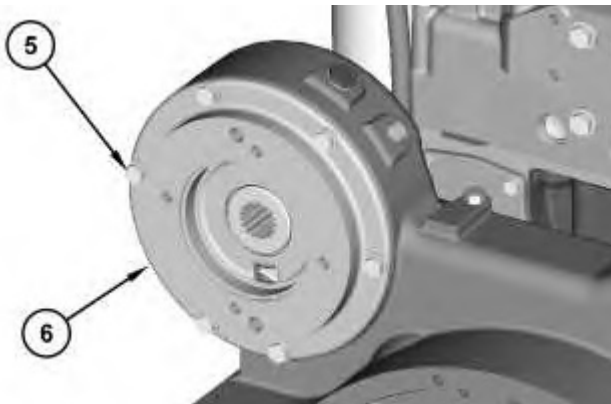


Illustration 3

g01386207

3. Remove bolts (5). Remove adapter (6) and the O-ring seal.

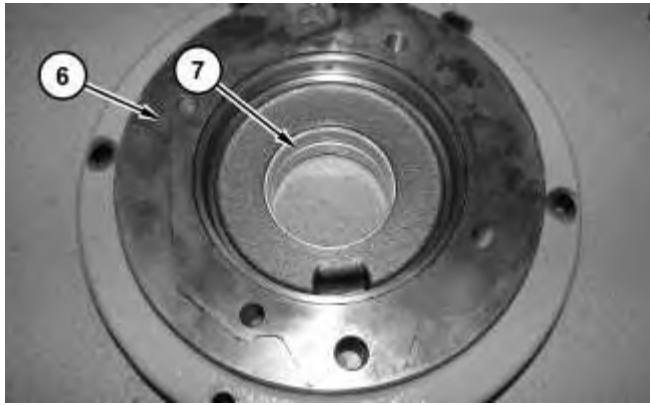


Illustration 4

g01384414

4. Use Tooling (B) in order to remove bearing (7) from adapter assembly (6).

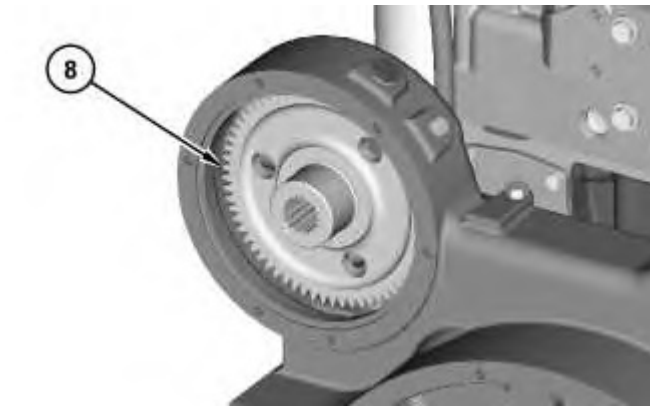


Illustration 5

g01386212

5. Remove gear assembly (8).

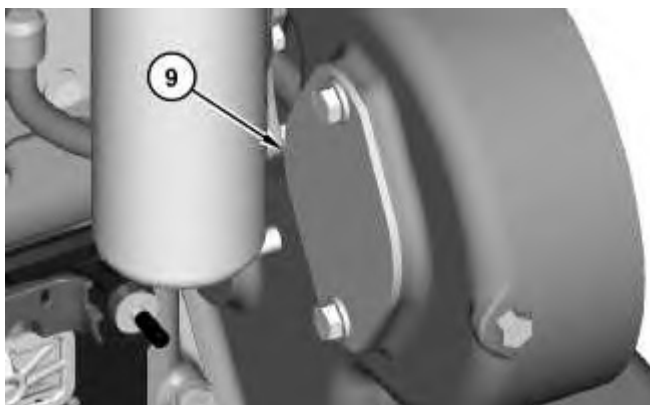


Illustration 6

g01386216

6. Remove cover (9) and the O-ring seal.
-

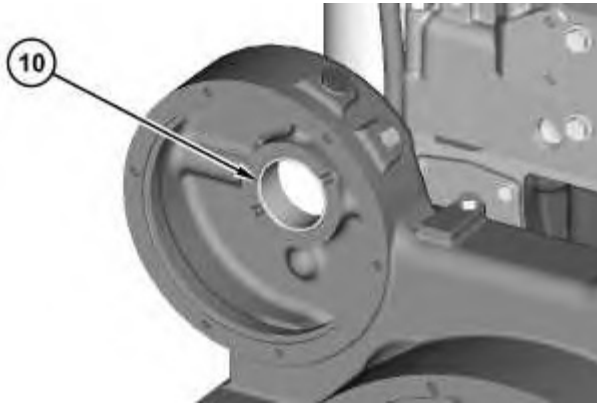


Illustration 7

g01386217

7. Use Tooling (B) in order to remove bearing (10).

Installation Procedure

NOTICE

Keep all parts clean from contaminants.

Contaminants may cause rapid wear and shortened component life.

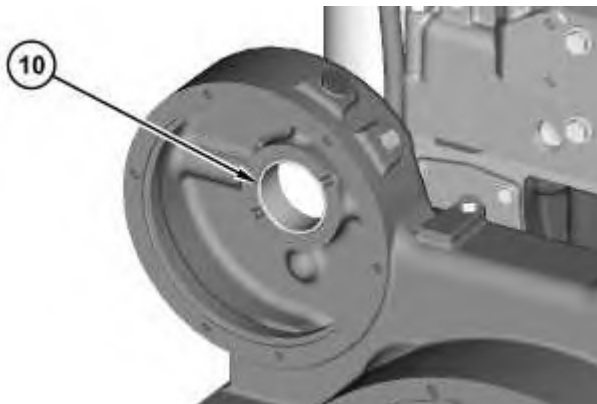


Illustration 8

g01386217

Thank you so much for reading.
Please click the “Buy Now!”
button below to download the
complete manual.



After you pay.

You can download the most
perfect and complete manual in
the world immediately.

Our support email:

ebooklibonline@outlook.com