



Service Repair Manual

Models

140M 3 AWD MOTOR GRADER

Product: MOTOR GRADER

Model: 140M 3 AWD MOTOR GRADER N9J

Configuration: 140M Series 3 Motor Grader-All Wheel Drive N9J00001-UP (MACHINE) POWERED BY C9.3 Engine

Disassembly and Assembly

12M Series 3, 140M Series 3 and 160M Series 3 Motor Graders Machine Systems

Media Number -UENR3488-02

Publication Date -01/09/2018

Date Updated -24/09/2018

i02649334

Piston Pump (Hydraulic and Steering) - Disassemble

SMCS - 4306-015; 5070-015

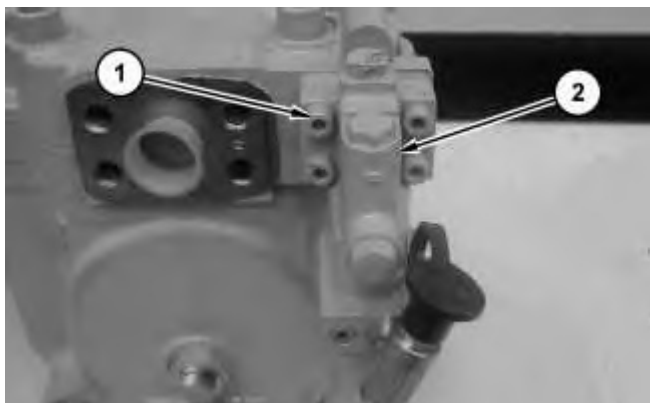
Disassembly Procedure

Table 1

Required Tools			
Tool	Part Number	Part Description	Qty
A	1P-0510	Driver Gp	1
B	1P-1857	Retaining Ring Pliers	1
C	1P-1861	Retaining Ring Pliers	1

Start By:

- a. Remove the piston pump. Refer to Disassembly and Assembly, "Piston Pump (Hydraulic and Steering) - Remove".



1. Remove bolts (1) and valve (2).

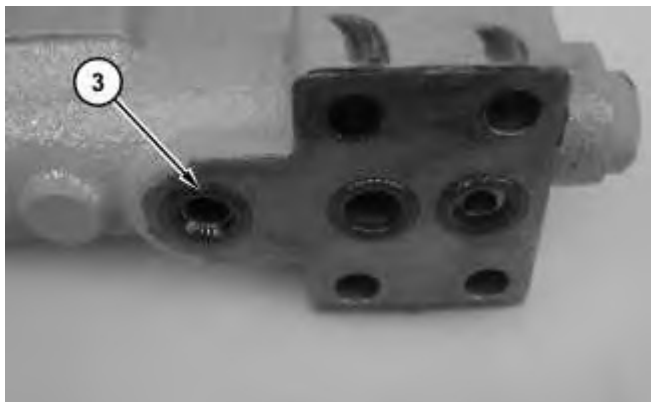


Illustration 2

2. Remove O-ring seals (3).

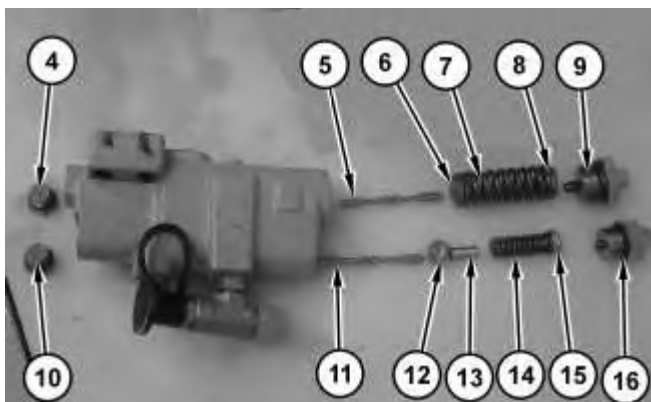


Illustration 3



WARNING

Personal injury can result from being struck by parts propelled by a released spring force.

Make sure to wear all necessary protective equipment.

Follow the recommended procedure and use all recommended tooling to release the spring force.

-
3. Remove plug (9), the O-ring seal, retainer (8), spring (7), retainer (6), spool (5), plug (4), and the O-ring seal.

4. Remove plug (16), the O-ring seal, retainer (15), spring (14), rod (13), retainer (12), spool (11), plug (10), and the O-ring seal.

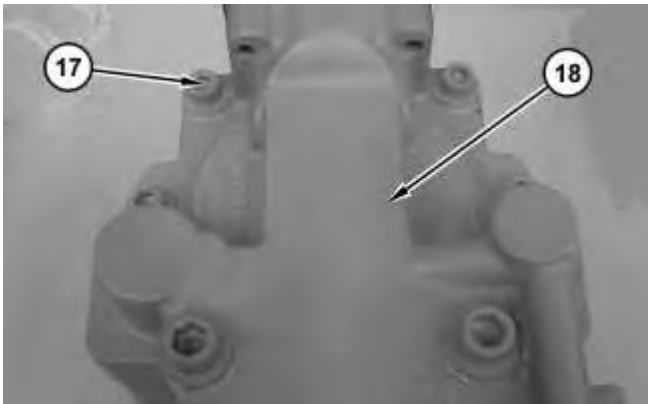


Illustration 4

g01329902



Personal injury can result from being struck by parts propelled by a released spring force.

Make sure to wear all necessary protective equipment.

Follow the recommended procedure and use all recommended tooling to release the spring force.

5. Remove bolts (17) and head (18).

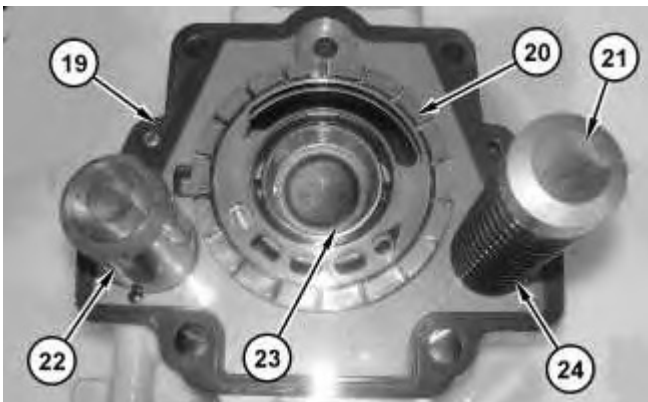


Illustration 5

g01329908

6. Remove piston (22), piston (21), spring (24), gasket (19), port plate (20), and bearing cup (23).
-



Illustration 6

g01329909

7. Remove bearing cone (25).

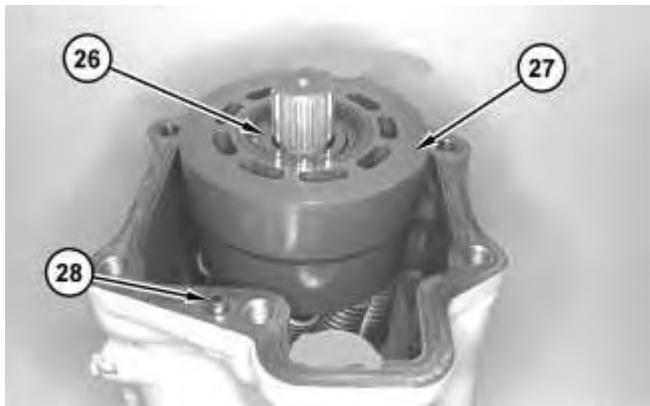


Illustration 7

g01329910

8. Remove shim (26), barrel (27), and dowel (28).

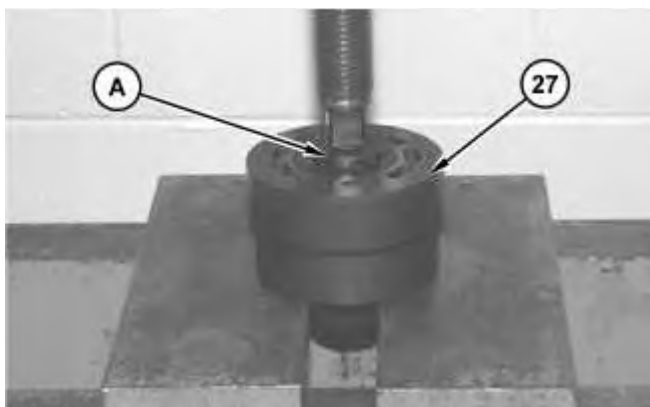


Illustration 8

g01329911

Thank you so much for reading.
Please click the “Buy Now!”
button below to download the
complete manual.



After you pay.

You can download the most
perfect and complete manual in
the world immediately.

Our support email:

ebooklibonline@outlook.com