



# Service Repair Manual

## **Models**

# 160H Motor Grader

---

Product: MOTOR GRADER

Model: 160H MOTOR GRADER ASD

Configuration: 160H Motor Grader ASD00001-UP (MACHINE) POWERED BY 3176C Engine

## Disassembly and Assembly 12H, 140H and 160H Motor Graders Machine Systems

Media Number -REN4124-06

Publication Date -01/09/2007

Date Updated -24/09/2007

i05508896

## Circle Drive - Disassemble

SMCS - 5207-015

## Disassembly Procedure

Table 1

Required Tools			
Tool	Part Number	Part Description	Qty
A		Forcing Bolt 3/8-16 by 4 inch	2
B	138-7575	Link Bracket	1
C	8H-0663	Bearing Puller Gp	1
D	8B-7554	Bearing Cup Puller Gp	1
	8B-7548	Push-Puller Tool Gp	1

### Start By:

- a. Remove the circle drive. Refer to Disassembly and Assembly, "Circle Drive - Remove".

**Note:** Cleanliness is an important factor. Before you begin the disassembly procedure, the exterior of the components should be thoroughly cleaned. This will help to prevent dirt from entering the internal mechanism. Precision components can be damaged by contaminants or by dirt. Perform disassembly procedures on a clean work surface. Keep components covered and protected at all times.

---

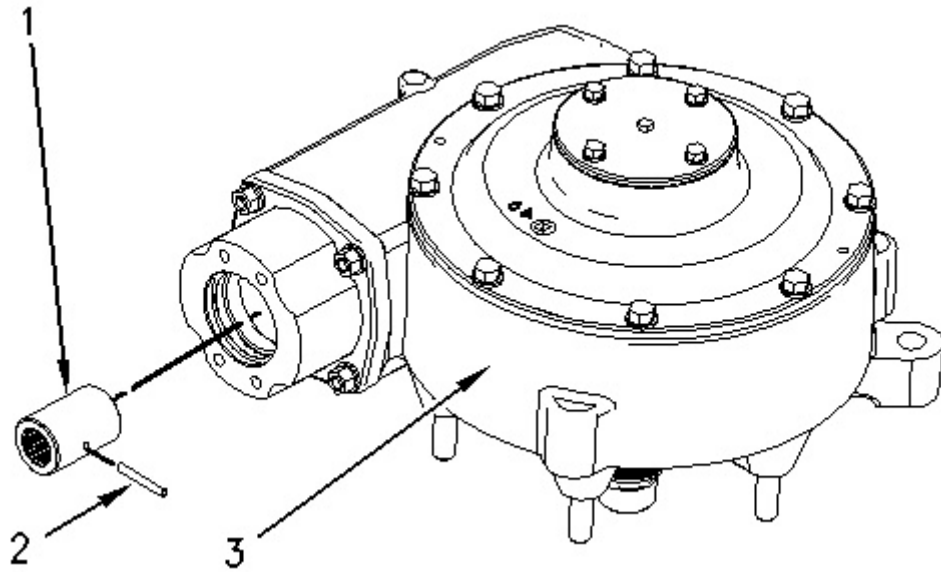


Illustration 1

g00937730

1. Remove coupling (1) from housing (3). Remove pin (2) from coupling (1).

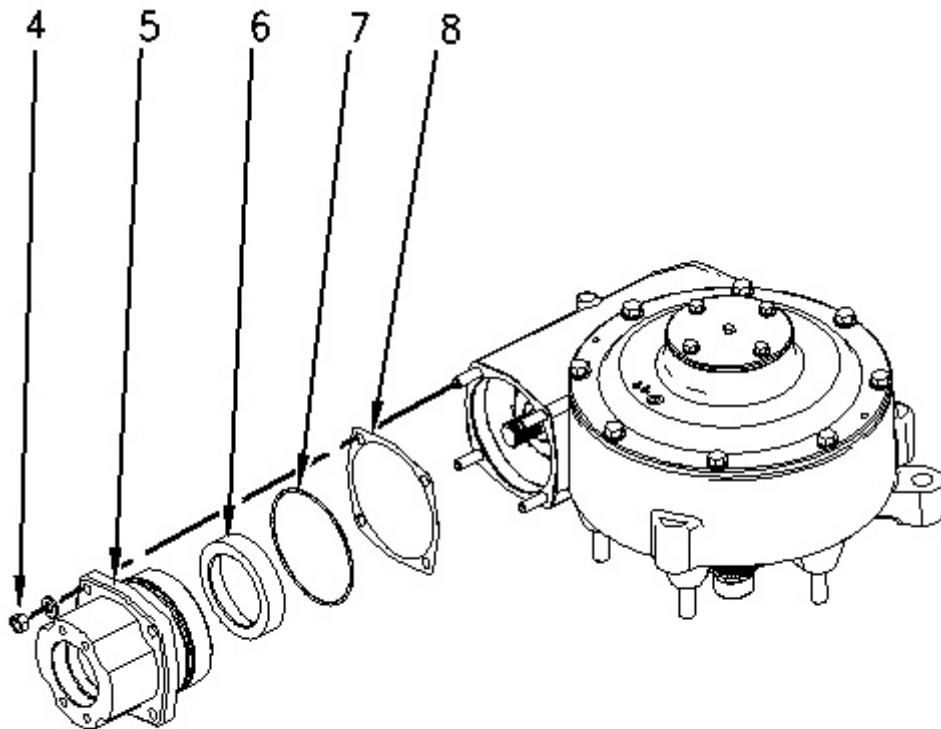


Illustration 2

g00937733

2. Remove nuts (4). Remove bracket (5).

3. Remove O-ring seal (7) and shims (8).
4. Remove bearing cup (6) from bracket (5).

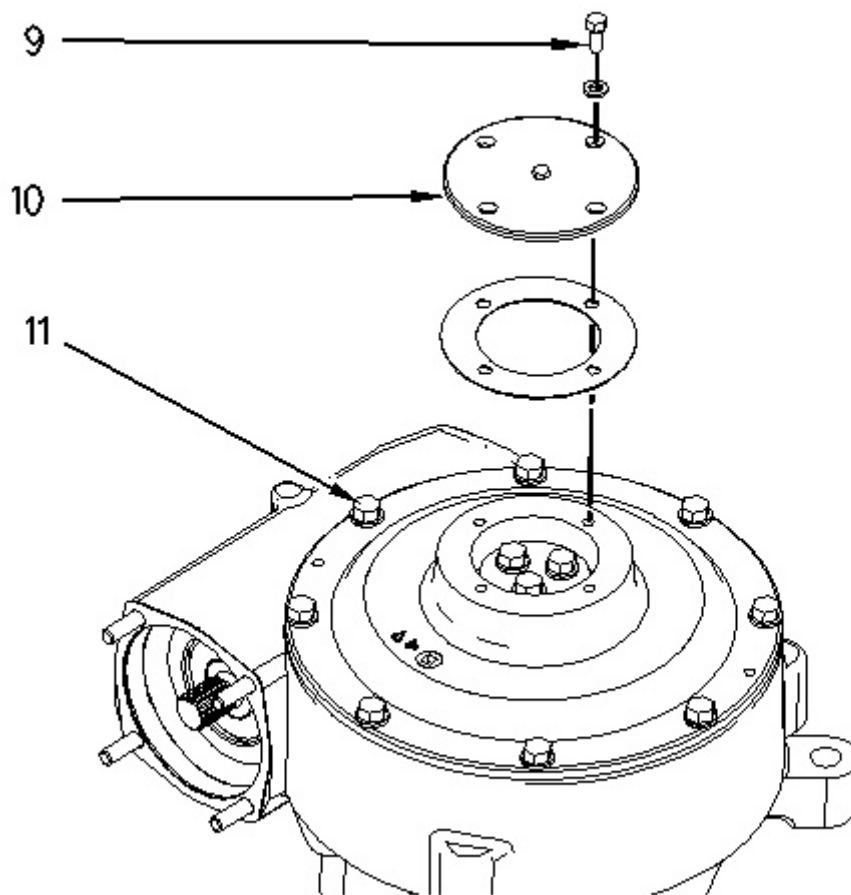
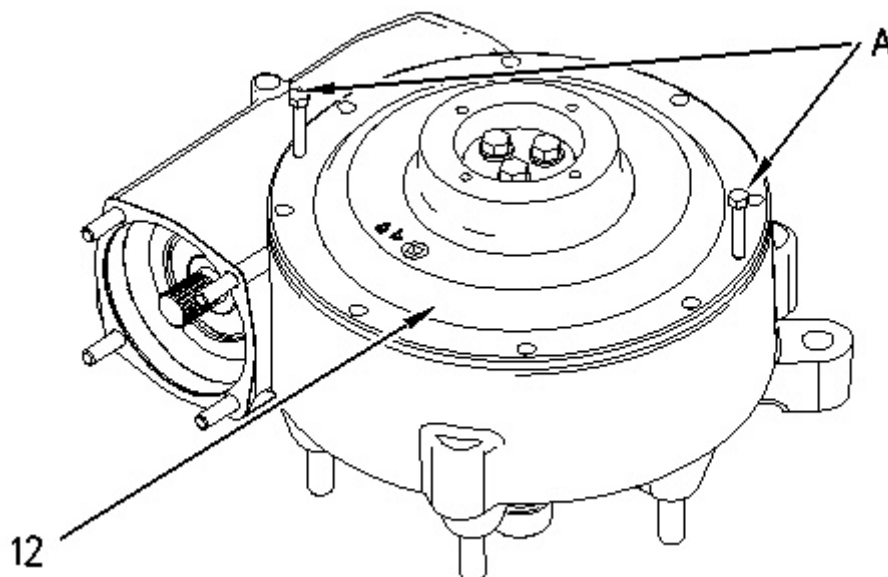


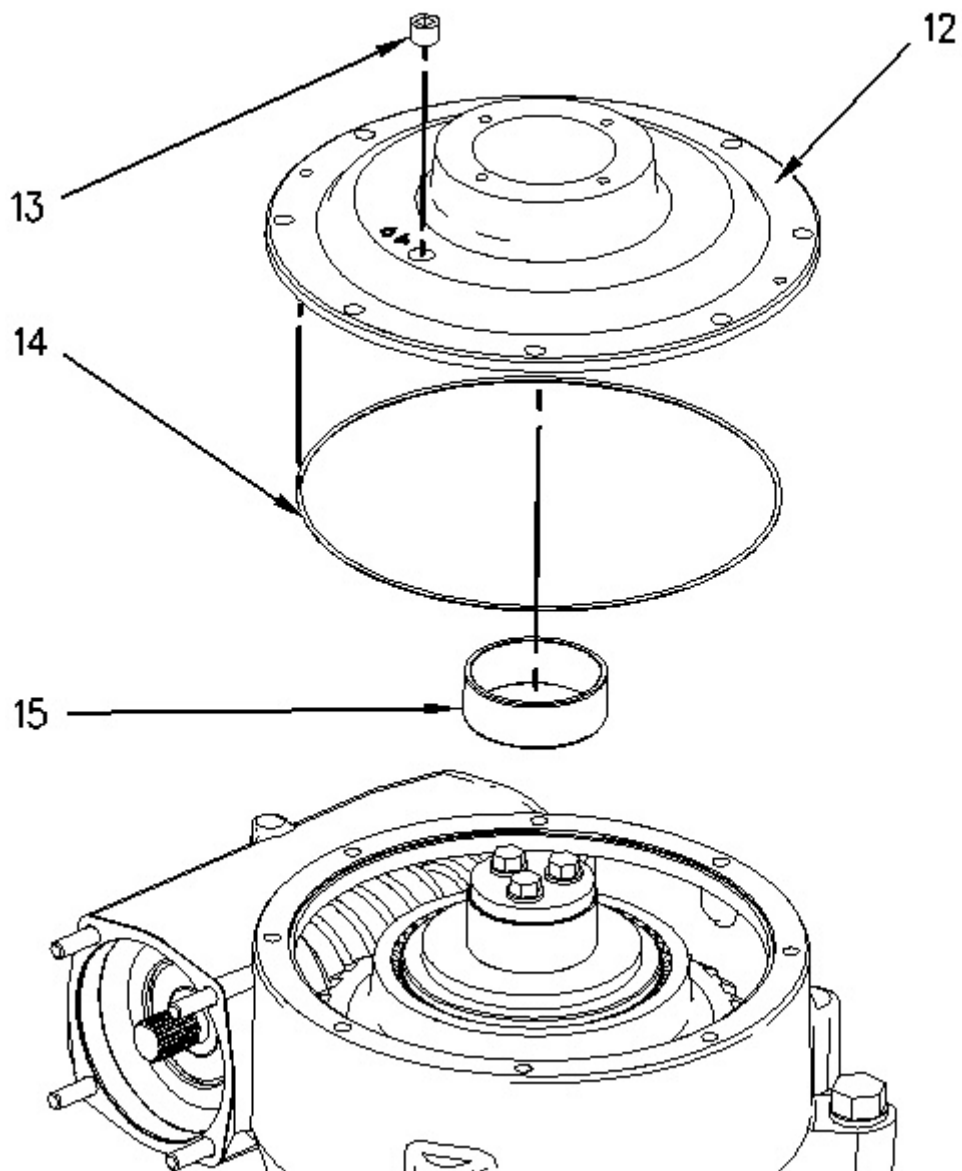
Illustration 3

g00937735

5. Remove bolts (9) and cover (10).
6. Remove bolts (11).



7. Install Tooling (A) and remove cover (12).
- 



8. Remove plug (13) and O-ring seal (14) from cover (12).  
9. Remove bearing (15) from cover (12).
-

Thank you so much for reading.  
Please click the “Buy Now!”  
button below to download the  
complete manual.



After you pay.

You can download the most  
perfect and complete manual in  
the world immediately.

Our support email:

[ebooklibonline@outlook.com](mailto:ebooklibonline@outlook.com)