



Service Repair Manual

Models

160M 2 MOTOR GRADER

Product: MOTOR GRADER

Model: 160M 2 MOTOR GRADER M9E

Configuration: 160M Series 2 Motor Grader M9E00001-UP (MACHINE) POWERED BY C9 Engine

Disassembly and Assembly

12M Series 2, 140M Series 2 and 160M Series 2 Motor Graders Power Train

Media Number -KENR8899-03

Publication Date -01/05/2017

Date Updated -18/05/2017

i06013976

Rear Axle, Differential and Final Drive - Disassemble

SMCS - 3258-015; 3278-015; 3282-015-RE; 4050-015; 4068-015

Disassembly Procedure

Table 1

Required Tools			
Tool	Part Number	Part Description	Qty
A	439-3940	Link Bracket	4
B	140-7742	Sleeve	2
C	386-6031	Lever Puller Hoist	1
D	154-6182	Forcing Bolt	3
E	439-3939	Link Bracket	2
F	8B-7551	Bearing Puller Gp	1
	1P-5546	Crossarm	1
	3H-0465	Push-Puller Plate	2
	5F-7366	Forcing Screw	1
G	292-4949	Socket Wrench As	1
H	154-6183	Forcing Bolt	3
J	1U-6405	Three Jaw Puller	1

Start By:

- A. Remove the rear axle.

NOTICE

Keep all parts clean from contaminants.

Contaminants may cause rapid wear and shortened component life.

Note: Inspect the O-ring seals. Replace the O-ring seals that are worn or damaged.

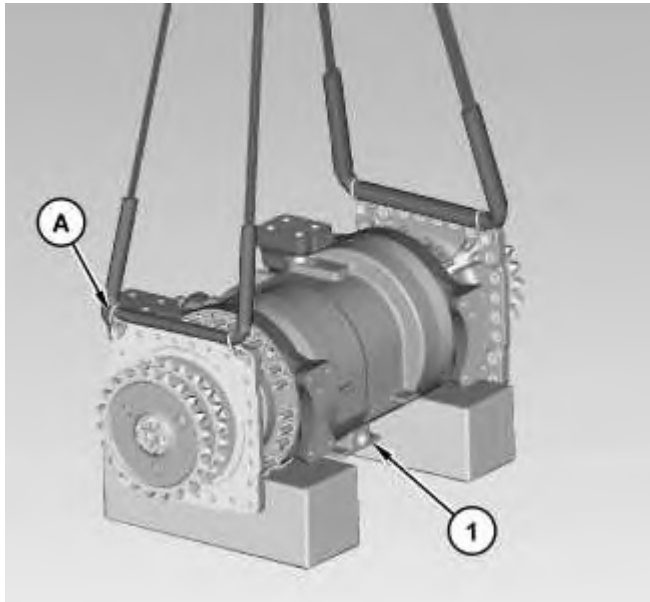


Illustration 1

g01413868

1. Use Tooling (A) , Tooling (B) , and two suitable lifting devices in order to position rear axle (1) onto suitable blocking. The weight of rear axle (1) is approximately 1089 kg (2400 lb).

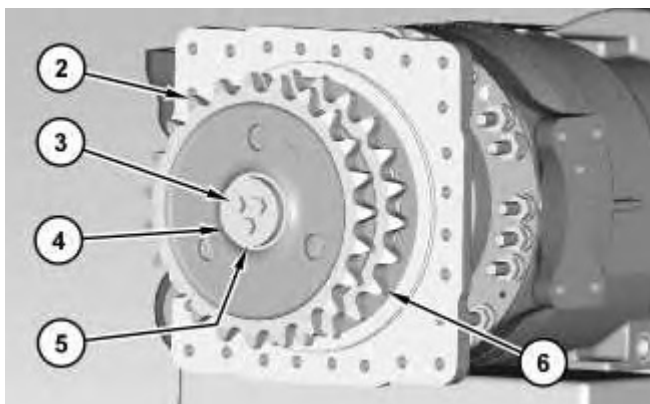


Illustration 2

g01418559

2. Remove bolts (3) , retainer (4) , shims (5) , sprocket (2) , and sprocket (6) .

Note: Note the quantity and the order of shims (5) .

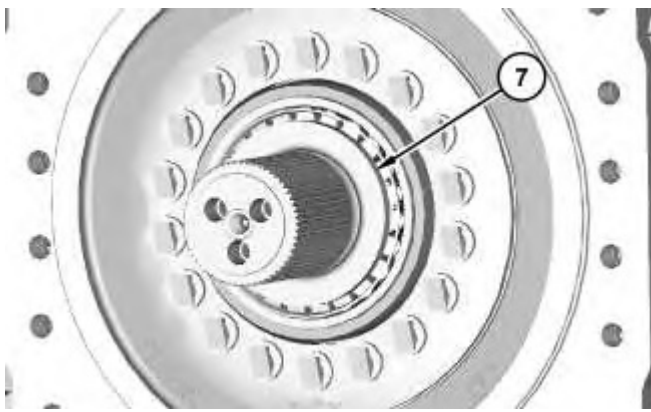


Illustration 3

g01414357

3. Remove bearing cone (7) .

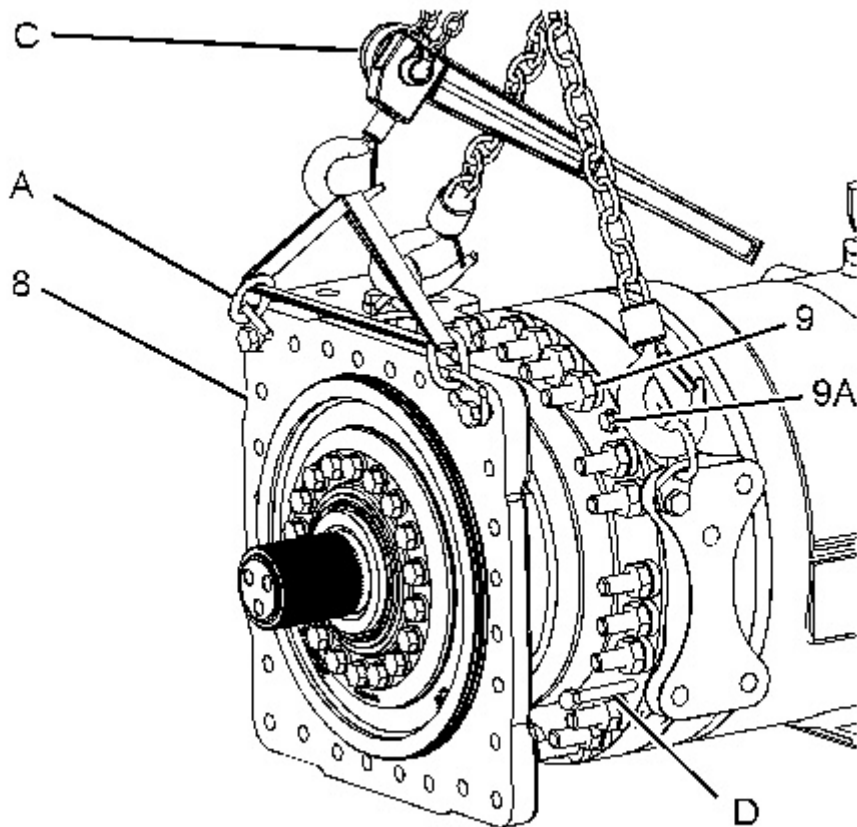


Illustration 4

g01412778

4. Attach Tooling (A) , Tooling (C) , and two suitable lifting devices onto final drive housing (8) . The weight of final drive housing (8) is approximately 191 kg (420 lb). Remove nuts (9) and bolts (9A) .
5. Use Tooling (D) in order to remove final drive housing (8) .

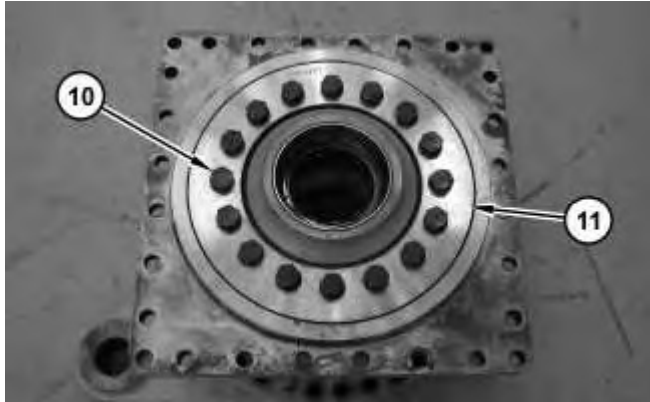


Illustration 5

g01419912

6. Remove bolts (10) . Remove retainer (11) .

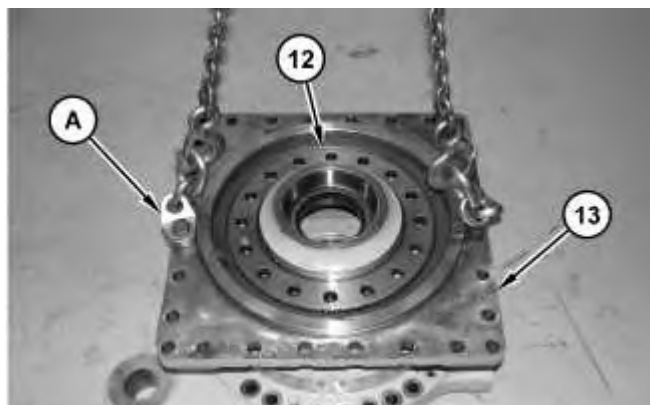


Illustration 6

g01352280

7. Remove shims (12) . Use Tooling (A) and a suitable lifting device in order to remove housing (13) . The weight of housing (13) is approximately 54 kg (120 lb).

Note: Note the quantity and the order of shims (12) .

Thank you so much for reading.
Please click the “Buy Now!”
button below to download the
complete manual.



After you pay.

You can download the most
perfect and complete manual in
the world immediately.

Our support email:

ebooklibonline@outlook.com