



Service Repair Manual

Models

160M Motor Grader

Product: MOTOR GRADER

Model: 160M MOTOR GRADER B9L

Configuration: 160M Motor Grader B9L00001-UP (MACHINE) POWERED BY C9 Engine

Disassembly and Assembly 160M Motor Grader Power Train

Media Number -REN9726-08

Publication Date -01/09/2018

Date Updated -26/09/2018

i03096382

Rear Axle, Differential and Final Drive - Disassemble

SMCS - 3258-015; 3278-015; 3282-015-RE; 4050-015; 4068-015

Disassembly Procedure

Table 1

Required Tools			
Tool	Part Number	Part Description	Qty
A	138-7575	Link Bracket	4
B	140-7742	Sleeve	2
C	1U-9200	Lever Puller Hoist	1
D	154-6182	Forcing Bolt	3
E	138-7574	Link Bracket	2
F	8B-7551	Bearing Puller Gp	1
	1P-5546	Crossarm	1
	3H-0465	Push-Puller Plate	2
	5F-7366	Forcing Screw	1
G	292-4949	Socket Wrench As	1
H	154-6183	Forcing Bolt	3
J	1U-6405	Three Jaw Puller	1

Start By:

- a. Remove the rear axle, differential, and final drive. Refer to Disassembly and Assembly, "Rear Axle, Differential, and Final Drive - Remove".

NOTICE

Keep all parts clean from contaminants.

Contaminants may cause rapid wear and shortened component life.

Note: Inspect the O-ring seals. Replace the O-ring seals that are worn or damaged.

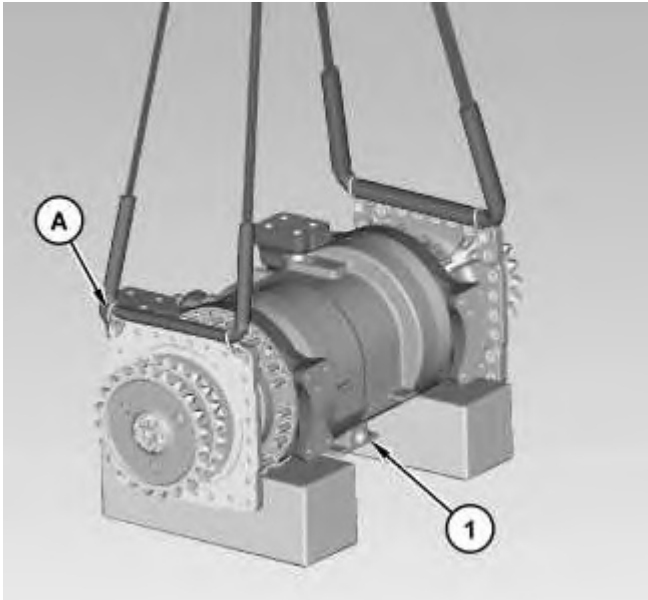


Illustration 1

g01413868

1. Use Tooling (A), Tooling (B), and two suitable lifting devices in order to position rear axle, differential, and final drive (1) onto suitable blocking. The weight of rear axle, differential, and final drive (1) is approximately 1089 kg (2400 lb).

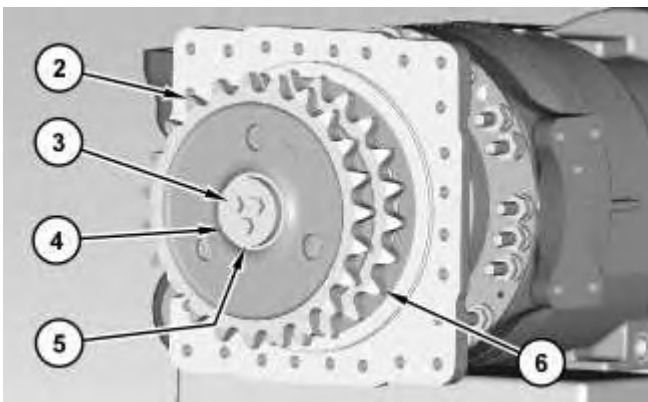


Illustration 2

g01418559

2. Remove bolts (3), retainer (4), shims (5), sprocket (2), and sprocket (6).

Note: Note the quantity and the order of shims (5).

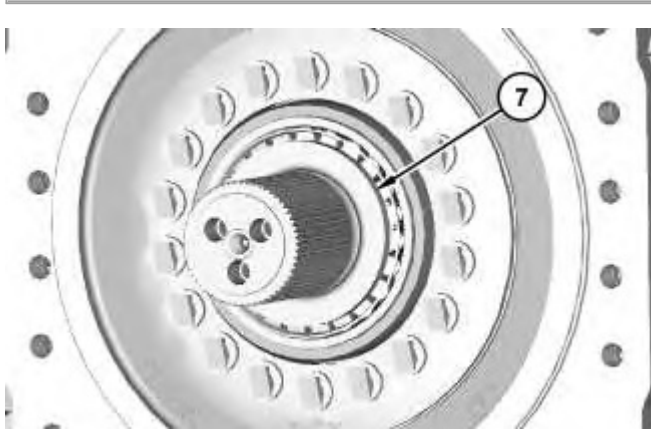


Illustration 3

g01414357

3. Remove bearing cone (7).

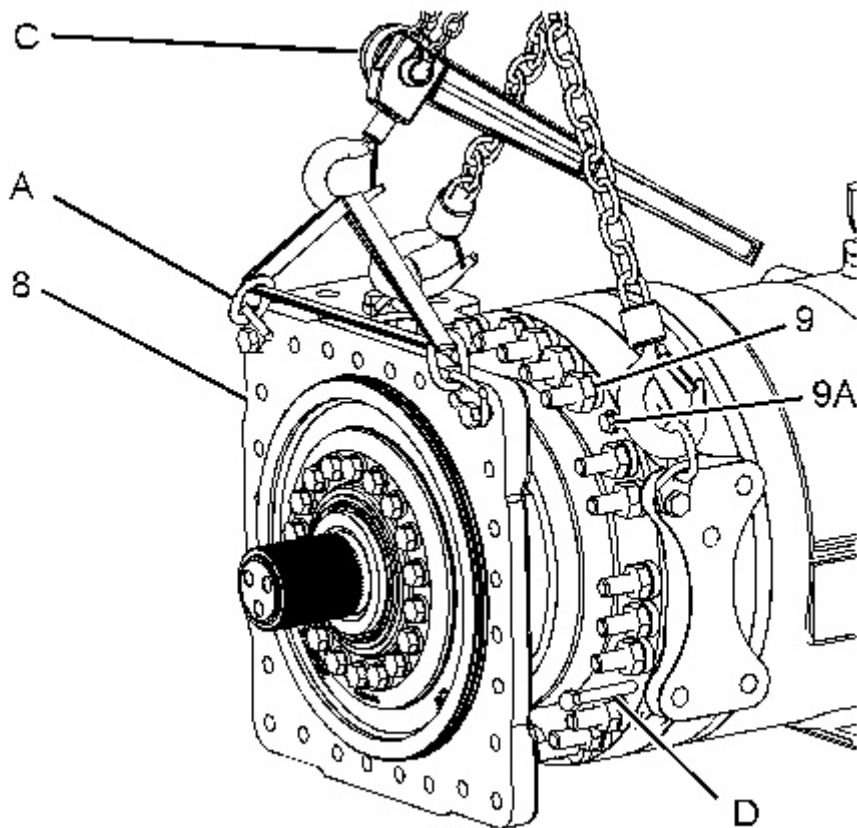


Illustration 4

g01412778

4. Attach Tooling (A), Tooling (C), and two suitable lifting devices onto final drive housing (8). The weight of final drive housing (8) is approximately 181 kg (400 lb). Remove nuts (9).

5. Use Tooling (D) in order to remove final drive housing (8).

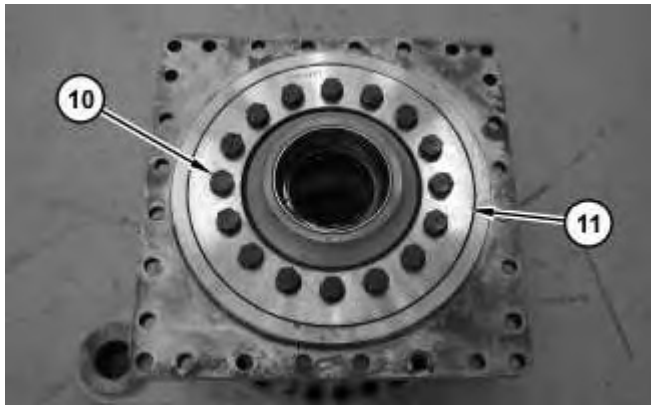


Illustration 5

g01419912

6. Remove bolts (10). Remove retainer (11).

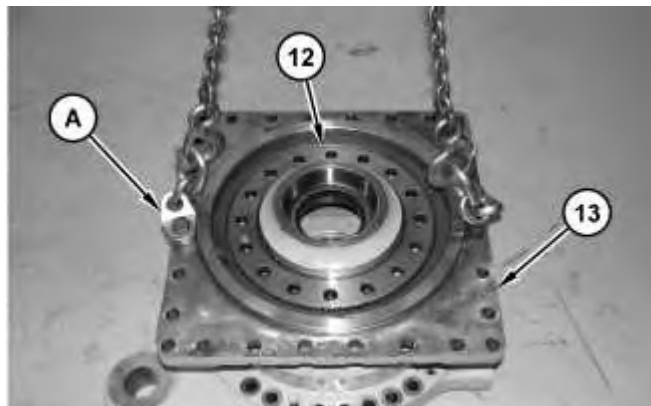


Illustration 6

g01352280

7. Remove shims (12). Use Tooling (A) and a suitable lifting device in order to remove housing (13). The weight of housing (13) is approximately 57 kg (126 lb).

Note: Note the quantity and the order of shims (12).

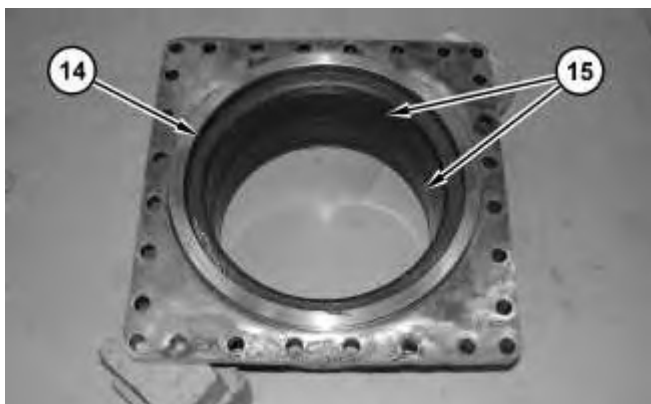


Illustration 7

g01352292

Thank you so much for reading.
Please click the “Buy Now!”
button below to download the
complete manual.



After you pay.

You can download the most
perfect and complete manual in
the world immediately.

Our support email:

ebooklibonline@outlook.com