



# Service Repair Manual

## **Models**

Caterpillar Cat 232B

SKID STEER LOADER

---

Product: SKID STEER LOADER

Model: 232B SKID STEER LOADER SCH

Configuration: 216B 226B 232B 242B Skid Steer Loader SCH00001-02474 (MACHINE) POWERED BY 3024C Engine

## Disassembly and Assembly 216B, 216B2, 226B, 226B2, 232B, 232B2, 242B and 242B2 Skid Steer Loaders Engine Supplement

Media Number -REN4893-03

Publication Date -01/11/2009

Date Updated -12/11/2009

i04351956

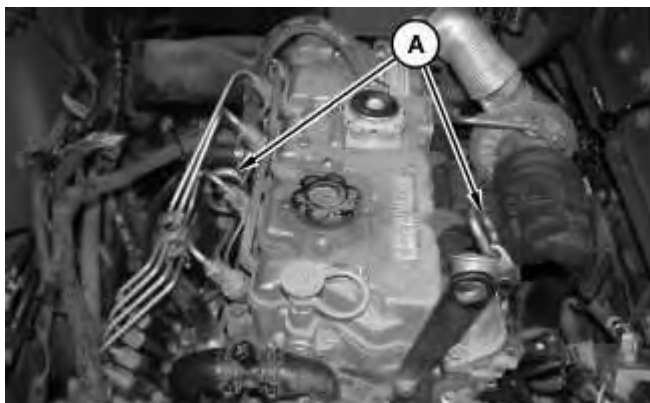
## Engine - Install

SMCS - 1000-012

## Installation Procedure

Table 1

Required Tools			
Tool	Part Number	Description	Qty
A	138-7573	Link Bracket	4
B	1U-9200	Lever Puller Hoist	1
C	159-3327	Wrench Adapter	1
D	138-7575	Link Bracket	2
E	368-0005	C-Frame Assembly	1



1. Install Tooling (A) on each side of the engine.

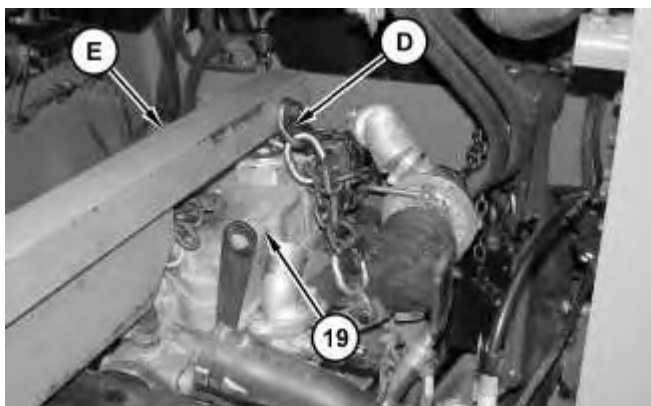
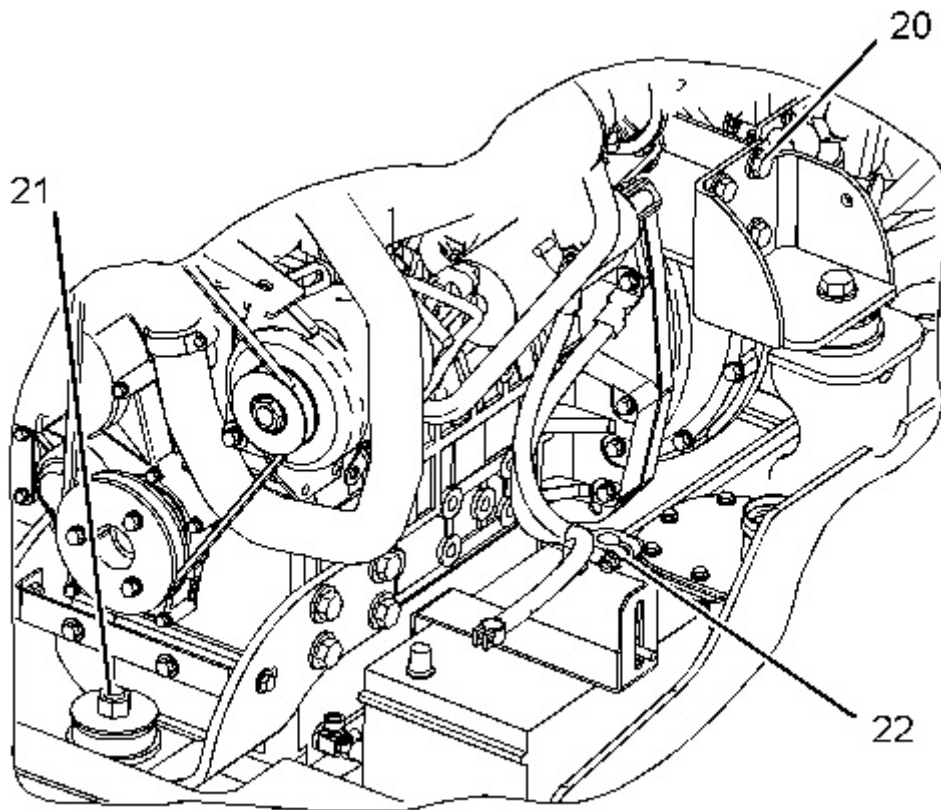


Illustration 2

Typical Example of Tooling (E) .

2. Attach a suitable lifting device and Tooling (D) and (E) to engine (19) . The weight of engine (19) is approximately 254 kg (560 lb).
  3. Position engine (19) in the machine.
-



---

Illustration 3

g02022252

4. Install bolts (21) and (20) and the washers. Connect harness assemblies (22) . Remove Tooling (A) , Tooling (D) , Tooling (E) , and the suitable lifting device.
-

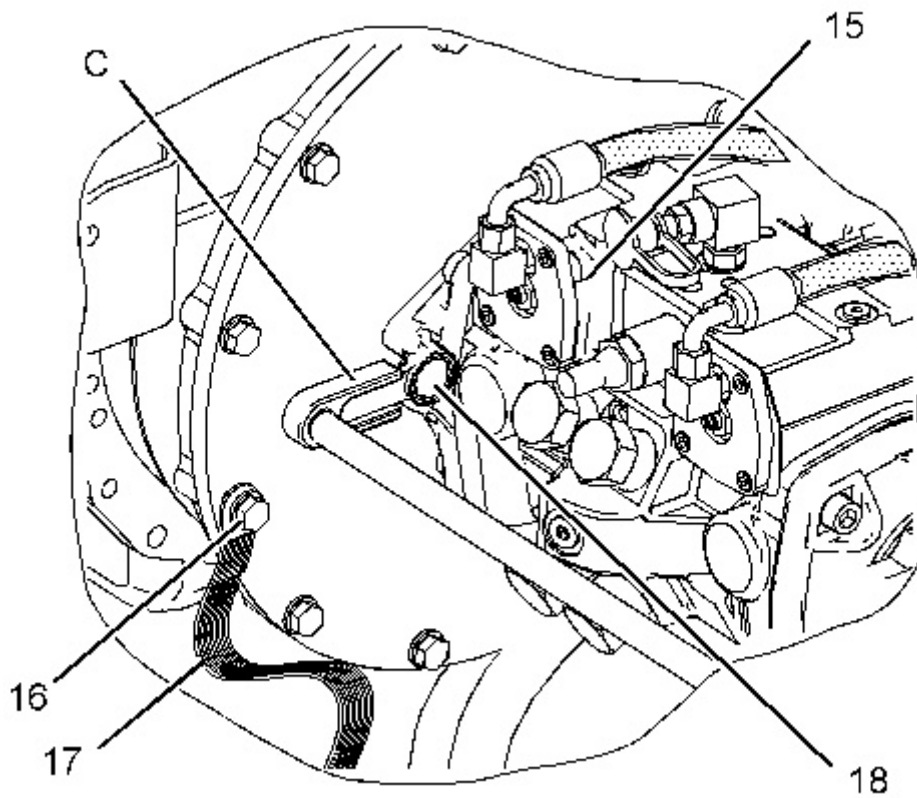


Illustration 4

g02022301

5. Position pump (15) . Install bolts (18) . Use Tooling (C) to tighten bolts (18) .
6. Install ground strap (17) and bolt (16) .



Illustration 5

g02022167

7. Connect clamp (14) .

Thank you so much for reading.  
Please click the “Buy Now!”  
button below to download the  
complete manual.



After you pay.

You can download the most  
perfect and complete manual in  
the world immediately.

Our support email:

[ebooklibonline@outlook.com](mailto:ebooklibonline@outlook.com)