



# Service Repair Manual

## **Model**

245B SERIES II EXCAVATOR

---

Product: EXCAVATOR

Model: 245B EXCAVATOR 6MF

Configuration: 245B SERIES II EXCAVATOR 6MF00513-UP (MACHINE) POWERED BY 3406 ENGINE

## Disassembly and Assembly 37-MT, 41-MT, and 42-MT Series Starting Motors

Media Number -SEN3581-04

Publication Date -01/10/2008

Date Updated -24/10/2008

i01557321

## General Information

SMCS - 1453

## 37-MT and 41-MT Starting Motors

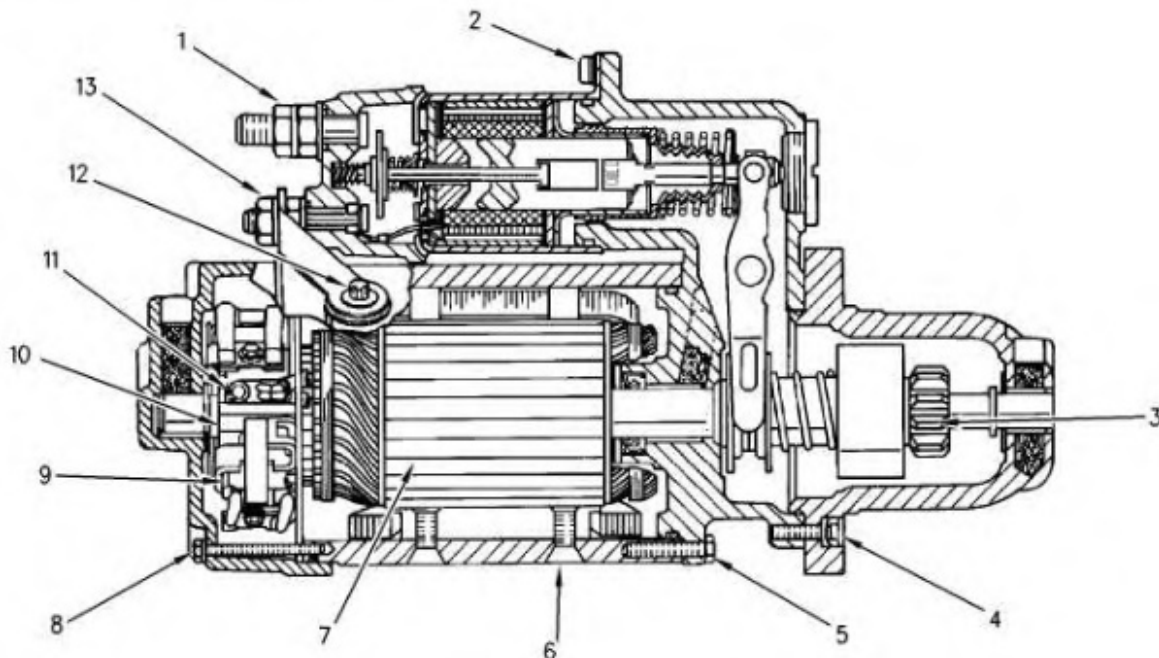


Illustration 1

g00782868

37-MT and 41-MT Cross section view

(1) Nut (Battery)

(2) Solenoid Mounting Screws

(3) Pinion

- (4) Pinion Drive Housing Bolts
- (5) Shift Lever Housing Bolts
- (6) Field Winding Screws
- (7) Laminated Core
- (8) Rear Housing Bolts
- (9) Brush
- (10) Commutator
- (11) Brush Lead Screws
- (12) Motor Terminal Bolt
- (13) Motor Terminal Nut

## 42-MT Starting Motors

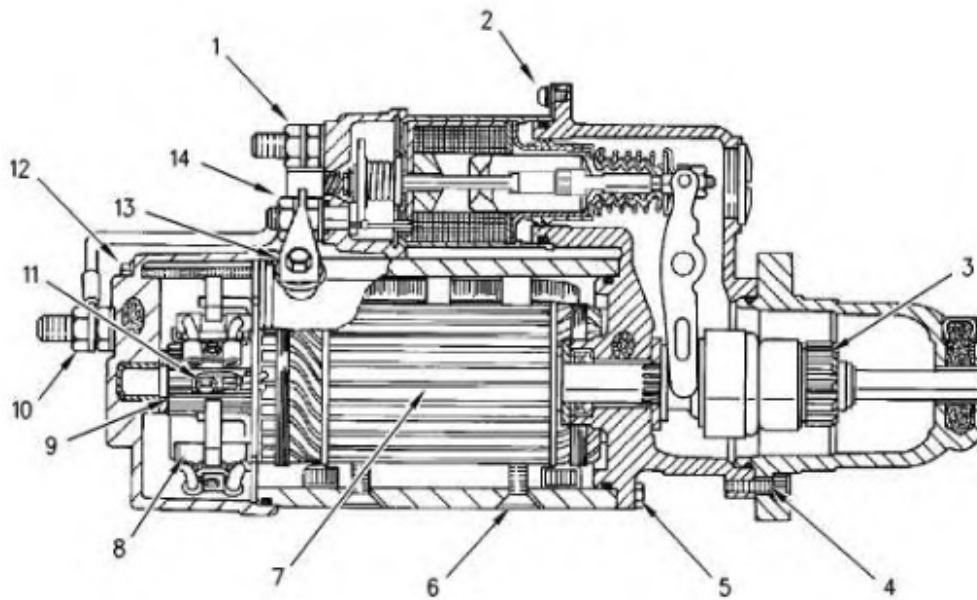


Illustration 2

g00801373

42-MT Cross section view

- (1) Nut (Battery)
- (2) Solenoid Mounting Screws
- (3) Pinion
- (4) Pinion Drive Housing Bolts
- (5) Shift Lever Housing Bolts

- (6) Field Winding Screws
- (7) Laminated Core
- (8) Brush
- (9) Commutator
- (10) Ground Terminal Nut
- (11) Brush Lead Screws
- (12) Rear Housing Bolt
- (13) Motor Terminal Bolt
- (14) Motor Terminal Nut

Product: EXCAVATOR

Model: 245B EXCAVATOR 6MF

Configuration: 245B SERIES II EXCAVATOR 6MF00513-UP (MACHINE) POWERED BY 3406 ENGINE

## Disassembly and Assembly 37-MT, 41-MT, and 42-MT Series Starting Motors

Media Number -SEN3581-04

Publication Date -01/10/2008

Date Updated -24/10/2008

i01559954

### Starting Motor - Disassemble - 42-MT

SMCS - 1453-015

### Disassemble the Starting Motor

**Note:** The disassembly and assembly that follows is of the 24 volt starting motor. The 12 volt is similar.

Table 1

| Required Tools |             |                       |          |
|----------------|-------------|-----------------------|----------|
| Tool           | Part Number | Part Description      | Quantity |
| A              | 1P-1855     | Retaining Ring Pliers | 1        |
| B              | 1P-0510     | Driver Gp             | 1        |

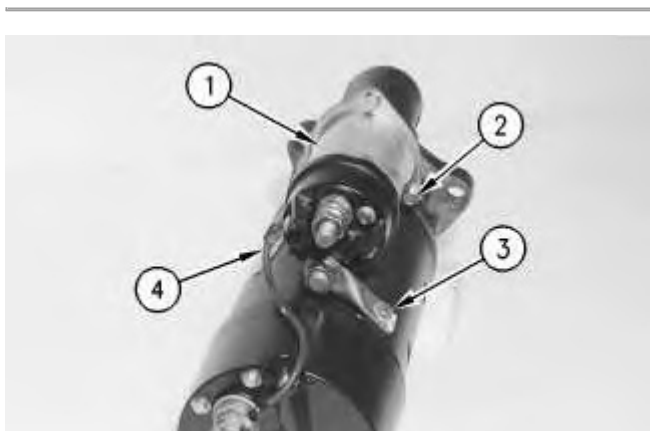


Illustration 1

g00810559

Thank you so much for reading.  
Please click the “Buy Now!”  
button below to download the  
complete manual.



After you pay.

You can download the most  
perfect and complete manual in  
the world immediately.

Our support email:

[ebooklibonline@outlook.com](mailto:ebooklibonline@outlook.com)