



Service Repair Manual

Models

246D Skid Steer Loader

Product: SKID STEER LOADER

Model: 246D SKID STEER LOADER HMR

Configuration: 246D Skid Steer Loader HMR00001-UP (MACHINE) POWERED BY C3.3B Engine

Disassembly and Assembly C2.6 and C3.3B Engines for Caterpillar Built Machines

Media Number -UENR0137-11

Publication Date -01/08/2015

Date Updated -12/07/2018

i05242439

Fuel Injection Pump and Governor - Disassemble

SMCS - 1286-015

Disassembly Procedure

Table 1

Required Tools			
Tool	Part Number	Part Description	Qty
A	390-1150	Injection Pump Gear Puller	1
	154-6360	Bolt	1
B	8H-0663	Bearing Puller	1

Start By:

- a. Remove fuel injection pump and governor.

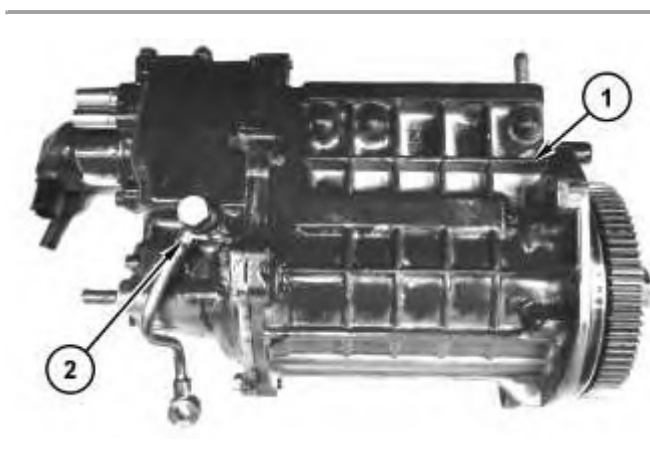


Illustration 1

g02805638

1. Inspect fuel injection pump and governor (1).
2. Remove tube (2).

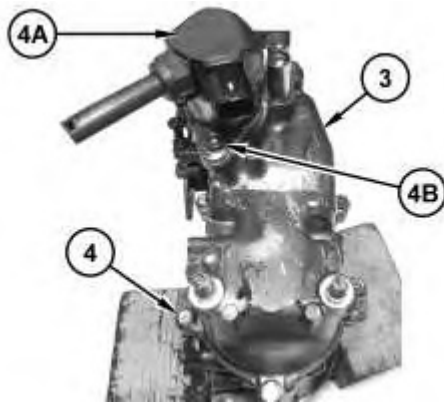


Illustration 2

g02805639

3. Use suitable blocking and position the fuel injection pump and governor. Remove bolts (4) and remove governor housing assembly (3).
4. Remove two bolts (4B) and remove stop solenoid (4A). Replace o-ring if necessary.

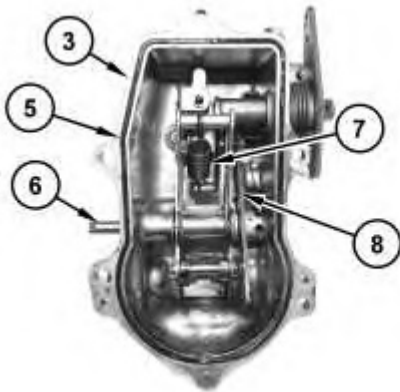


Illustration 3

g02805640

5. Remove and inspect O-ring seal (5) from governor housing assembly (3). If necessary, replace O-ring seal (5) with new.
 6. Remove shaft (6) and spring (7) from governor housing assembly (3). Remove governor lever (8).
-

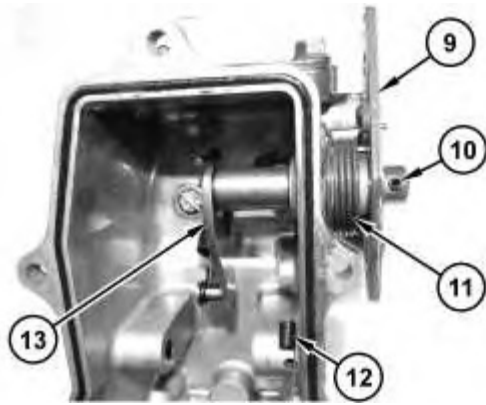


Illustration 4

g02805641

7. Remove pin (10) from governor lever assembly (12).
 8. Remove speed control lever (9) and spring (11) from governor lever assembly (12).
 9. Remove spring (13) and remove governor lever assembly (12) with the O-ring seals.
-

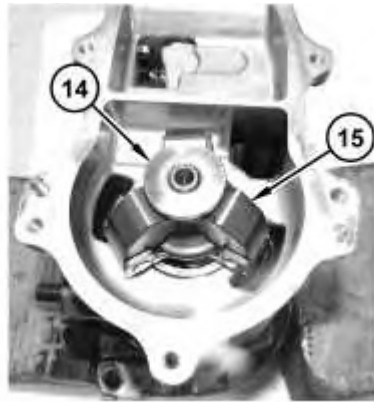


Illustration 5

g02805656



Illustration 6

g02805658

10. Remove governor sleeve (13) and nut (16). Remove governor weights (15).
-



Illustration 7

g02805660



Illustration 8

g02805696

11. Remove nut (17) from gear (18).

Note: Nut (17) has reverse threads.

12. Use Tooling (A) to remove gear (18).

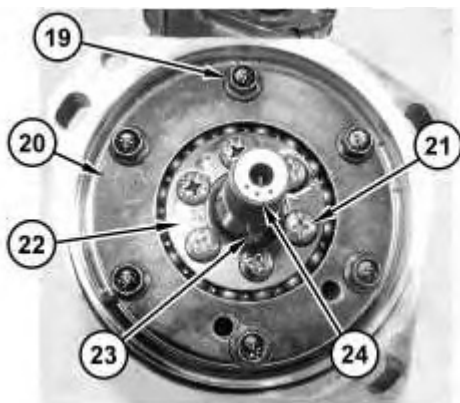


Illustration 9

g02805716

13. Remove bolts (19) and retaining plate (20).

14. Remove fuel camshaft (24) from the housing assembly.

Thank you so much for reading.
Please click the “Buy Now!”
button below to download the
complete manual.



After you pay.

You can download the most
perfect and complete manual in
the world immediately.

Our support email:

ebooklibonline@outlook.com