



Service Repair Manual

Models

267 Multi Terrain Loader

Product: MULTI TERRAIN LOADER

Model: 267 MULTI TERRAIN LOADER CMP

Configuration: 267 277 Multi Terrain Loader CMP00001-UP (MACHINE) POWERED BY 3034 Engine

Disassembly and Assembly 3034 Engine for Caterpillar Built Machines

Media Number -SEN5013-08

Publication Date -01/11/2008

Date Updated -14/11/2008

i04406242

Flywheel - Remove

SMCS - 1156-011

Removal Procedure

Table 1

Required Tools			
Tool	Part Number	Part Description	Qty
A	138-7575	Link Bracket	1

Start By:

- A. Remove the electric starting motor. Refer to Disassembly and Assembly, "Electric Starting Motor - Remove and Install".

NOTICE

Keep all parts clean from contaminants.

Contaminants may cause rapid wear and shortened component life.

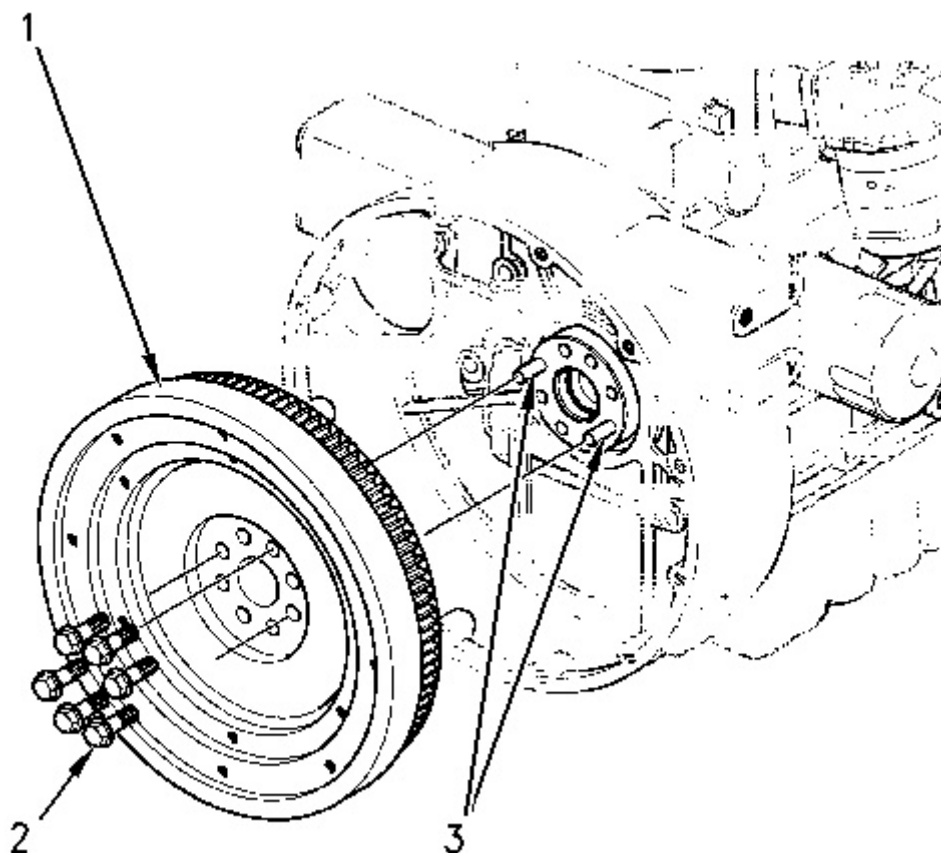


Illustration 1

g00823171

1. Remove two bolts (2) that are opposite each other from flywheel (1) .
2. Install two guide bolts (3) .
3. Remove the remaining six bolts (2) from flywheel (1) .
4. Use Tool (A) and a suitable lifting device to remove flywheel (1) from the engine.

Removal Procedure for the Flywheel Ring Gear

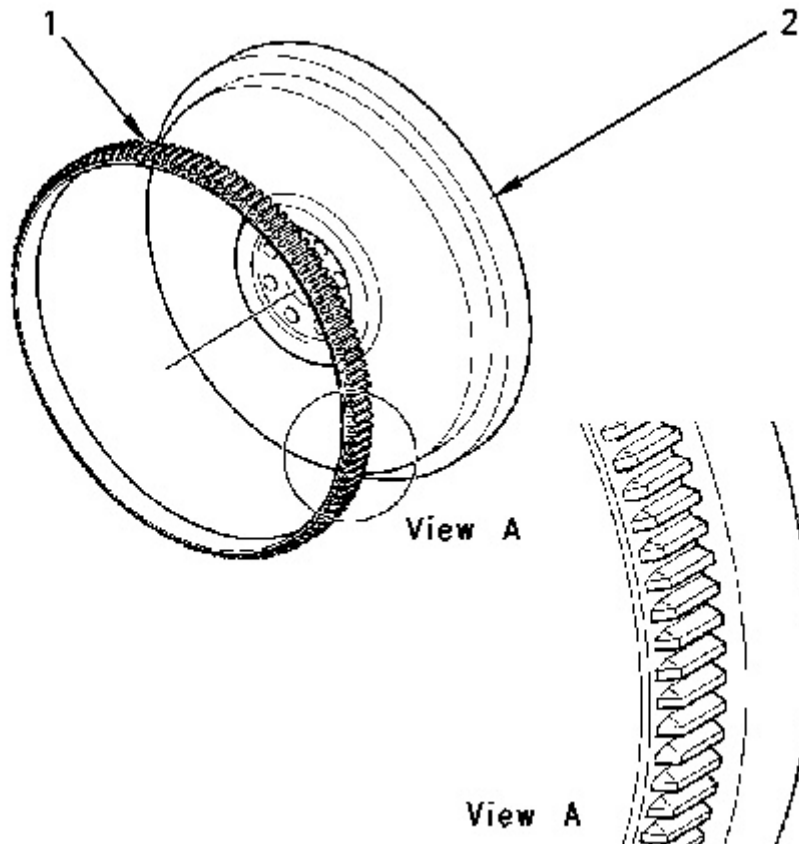


Illustration 2

g00823145

1. Check the teeth of the flywheel ring gear (1) for wear or damage. If the teeth of the flywheel ring gear (1) are worn or damaged, replace the flywheel ring gear.

Note: For proper installation, record the direction of the chamfer (View A) of the teeth of the flywheel ring gear .

2. Use a hammer and a punch in order to remove the flywheel ring gear (1) from flywheel (2) .

Note: Ensure that the flywheel is not damaged during this procedure.

Product: MULTI TERRAIN LOADER

Model: 267 MULTI TERRAIN LOADER CMP

Configuration: 267 277 Multi Terrain Loader CMP00001-UP (MACHINE) POWERED BY 3034 Engine

Disassembly and Assembly 3034 Engine for Caterpillar Built Machines

Media Number -SEN5013-08

Publication Date -01/11/2008

Date Updated -14/11/2008

i04406243

Flywheel - Install

SMCS - 1156-012

Installation Procedure for the Flywheel Ring Gear



Always wear protective gloves when handling parts that have been heated.

Thank you so much for reading.
Please click the “Buy Now!”
button below to download the
complete manual.



After you pay.

You can download the most
perfect and complete manual in
the world immediately.

Our support email:

ebooklibonline@outlook.com