



Service Repair Manual

Models

297D2 MULTI TERRAIN LOADER

Product: MULTI TERRAIN LOADER

Model: 297D2 MULTI TERRAIN LOADER BL7

Configuration: 297D2 & 297D2 XHP Multi Terrain Loader BL700001-UP (MACHINE) POWERED BY C3.8 Engine

Disassembly and Assembly C3.8 Engines for Caterpillar Built Machines

Media Number -UENR0129-08

Publication Date -01/09/2015

Date Updated -19/05/2016

i04770500

Air Inlet Heater - Remove and Install

SMCS - 1090-010

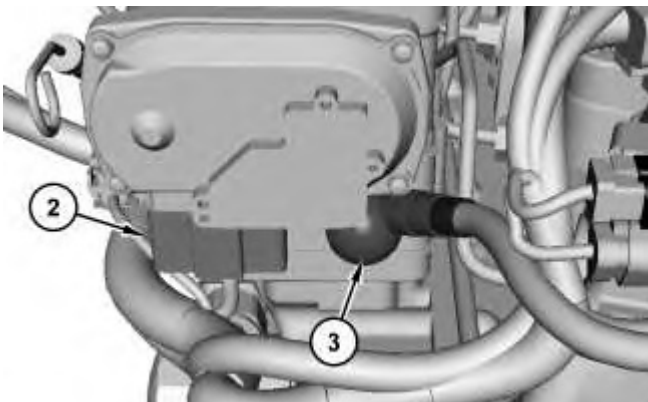
Removal Procedure



Illustration 1

g02870556

1. Disconnect harness assemblies (1).



2. Disconnect harness assembly (2) and cable assembly (3).

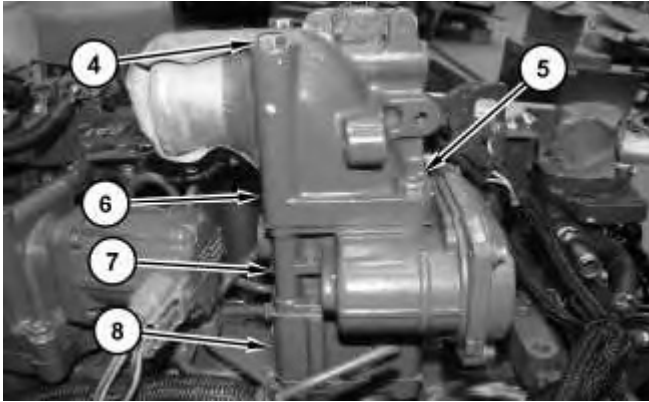


Illustration 3

3. Remove bolts (4) and bolts (5). Remove flange (6), valve assembly (7), air inlet heater (8), and the gaskets.

Installation Procedure

1. Install new gaskets, air inlet heater (8), valve assembly (7), and flange (6) in the reverse order of removal.
 - a. Tighten the nut for cable assembly (3) to a torque of 4.4 ± 0.9 N·m (38.9 ± 8.0 lb in).

Product: MULTI TERRAIN LOADER

Model: 297D2 MULTI TERRAIN LOADER BL7

Configuration: 297D2 & 297D2 XHP Multi Terrain Loader BL700001-UP (MACHINE) POWERED BY C3.8 Engine

Disassembly and Assembly C3.8 Engines for Caterpillar Built Machines

Media Number -UENR0129-08

Publication Date -01/09/2015

Date Updated -19/05/2016

i06617508

Inlet Manifold - Remove and Install

SMCS - 1058-010

Removal Procedure

Start By:

- a. Remove the fuel injection manifold.
 - b. Remove the intake air heater.
 - c. Remove the exhaust gas valve.
-

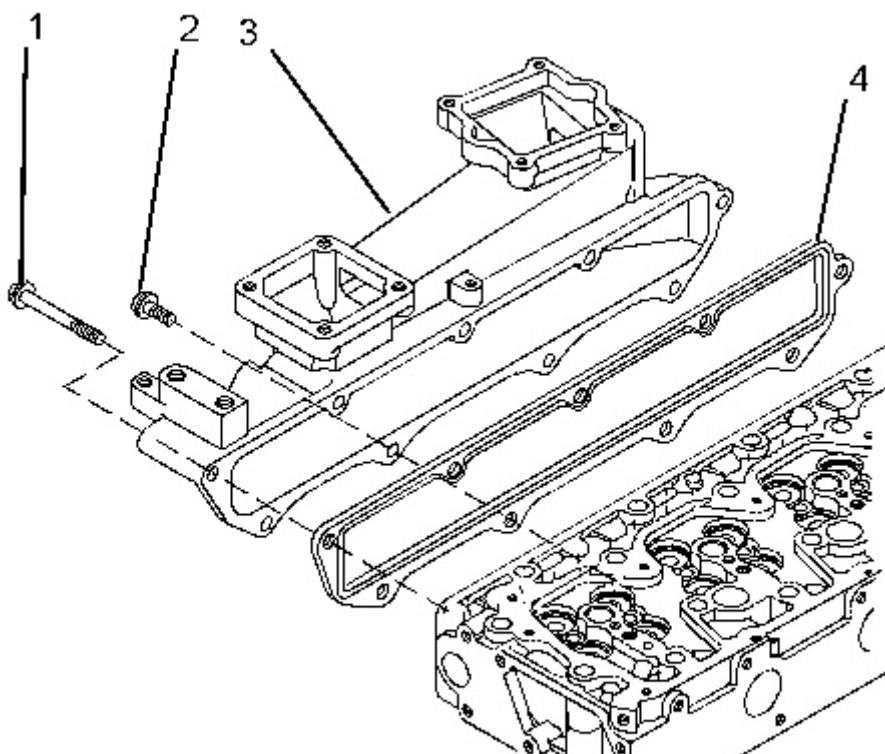


Illustration 1

g02858877

1. Remove bolts (1) and bolts (2). Remove inlet manifold (3) and gasket (4).

Installation Procedure

1. Install inlet manifold (3) in the reverse order of removal.

End By:

- a. Install the exhaust gas valve.
- b. Install the intake air heater.
- c. Install the fuel injection lines.

Thank you so much for reading.
Please click the “Buy Now!”
button below to download the
complete manual.



After you pay.

You can download the most
perfect and complete manual in
the world immediately.

Our support email:

ebooklibonline@outlook.com