



Service Repair Manual

Models

302.5 Mini Hydraulic Excavator

Product: MINI HYD EXCAVATOR

Model: 302.5 MINI HYD EXCAVATOR 4AZ

Configuration: 302.5 Mini Hydraulic Excavator 4AZ00001-UP (MACHINE) POWERED BY 3013 Engine

Disassembly and Assembly

3003, 3013, 3014 and 3024 Engines for Caterpillar Built Machines

Media Number -SEN5027-05

Publication Date -01/05/2005

Date Updated -16/05/2005

i04583132

Fuel Injection Pump - Remove

SMCS - 1251-011

Removal Procedure

Start By:

- A. Remove the fuel injection lines. Refer to Disassembly and Assembly, "Fuel Injection Lines - Remove and Install".
- B. If necessary, remove the fuel shutoff solenoid. Refer to Disassembly and Assembly, "Fuel Shutoff Solenoid - Remove and Install".

NOTICE

Keep all parts clean from contaminants.

Contaminants may cause rapid wear and shortened component life.

NOTICE

Care must be taken to ensure that fluids are contained during performance of inspection, maintenance, testing, adjusting, and repair of the product. Be prepared to collect the fluid with suitable containers before opening any compartment or disassembling any component containing fluids.

Refer to Special Publication, NENG2500, "Dealer Service Tool Catalog" for tools and supplies suitable to collect and contain fluids on Cat products.

Dispose of all fluids according to local regulations and mandates.

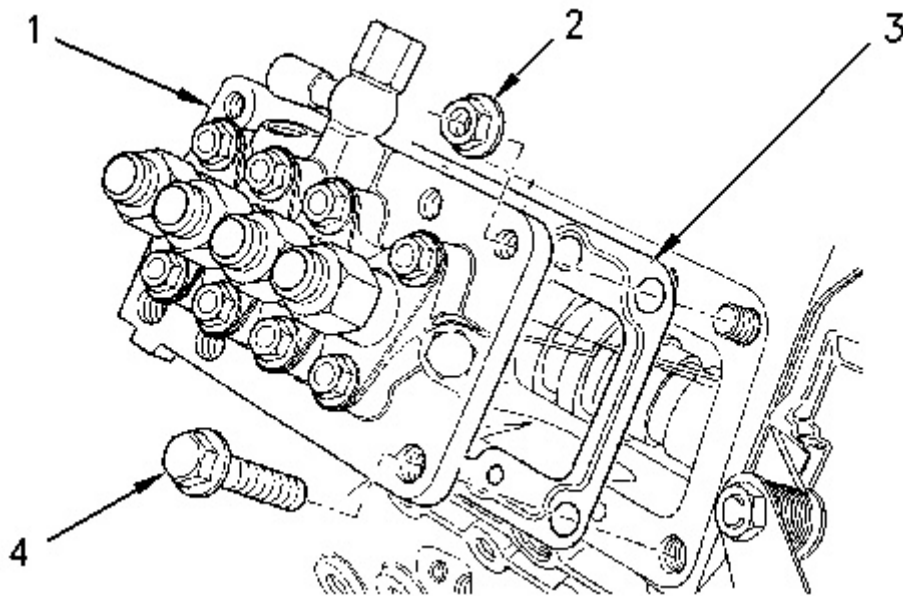


Illustration 1

g00825132

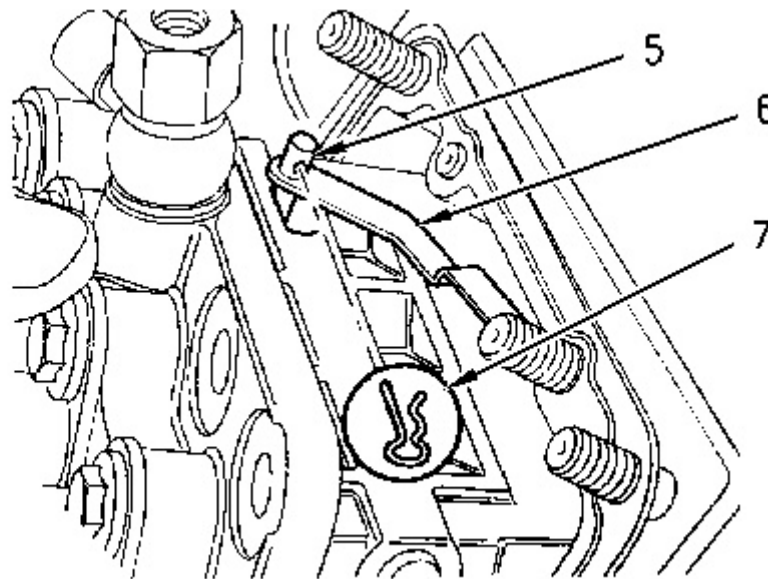


Illustration 2

g00825137

1. Remove bolts (4) and nuts (2) that fasten the fuel injection pump to the cylinder block.
2. Carefully raise fuel injection pump (1) from the cylinder block and remove clip (7) that connects link (6) to fuel rack control (5) .

3. Remove fuel injection pump (1) from the cylinder block.

Note: Record the thickness of each shim and the number of shims for reassembly. The fuel injection timing is determined by the shim pack thickness that is between the fuel injection pump and the mounting face on the cylinder block. For more information on the fuel injection pump, refer to Specifications, "Fuel Injection Pump".

4. Remove shims (3) from the mounting plate.

Product: MINI HYD EXCAVATOR

Model: 302.5 MINI HYD EXCAVATOR 4AZ

Configuration: 302.5 Mini Hydraulic Excavator 4AZ00001-UP (MACHINE) POWERED BY 3013 Engine

Disassembly and Assembly 3003, 3013, 3014 and 3024 Engines for Caterpillar Built Machines

Media Number -SEN5027-05

Publication Date -01/05/2005

Date Updated -16/05/2005

i01591134

Fuel Injection Pump - Install

SMCS - 1251-012

Installation Procedure

NOTICE

Keep all parts clean from contaminants.

Contaminants may cause rapid wear and shortened component life.

NOTICE

Care must be taken to ensure that fluids are contained during performance of inspection, maintenance, testing, adjusting and repair of the product. Be prepared to collect the fluid with suitable containers before opening any compartment or disassembling any component containing fluids.

Refer to Special Publication, NENG2500, "Caterpillar Tools and Shop Products Guide" for tools and supplies suitable to collect and contain fluids on Caterpillar products.

Dispose of all fluids according to local regulations and mandates.

Thank you so much for reading.
Please click the “Buy Now!”
button below to download the
complete manual.



After you pay.

You can download the most
perfect and complete manual in
the world immediately.

Our support email:

ebooklibonline@outlook.com