



Service Repair Manual

Models

303.5E 2CR Mini
Hydraulic Excavator

Product: MINI HYD EXCAVATOR

Model: 303.5E2 CR MINI HYD EXCAVATOR BG8

Configuration: 303.5E 2CR Mini Hydraulic Excavator BG800001-UP (MACHINE) POWERED BY C1.7 Engine

Disassembly and Assembly C1.7, C1.8 and C2.4 Tier 4 Interim and EU Stage 3A Engines for Caterpillar Built Machines

Media Number -UENR0128-11

Publication Date -01/08/2015

Date Updated -09/06/2016

i05243388

Governor and Camshaft - Install

SMCS - 1264-012; 1265-012; 1716-012

Installation Procedure

NOTICE

Keep all parts clean from contaminants.

Contaminants may cause rapid wear and shortened component life.

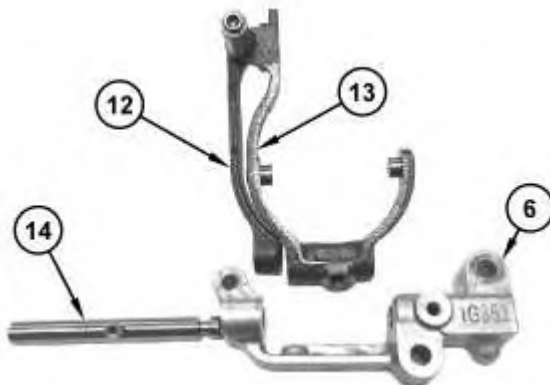


Illustration 1

g02729574

1. Position brackets (13) and (12) in line with bracket (6) and install shaft (14).
-



Illustration 2

g02729844

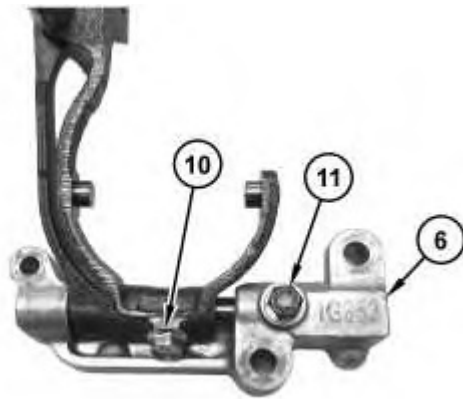


Illustration 3

g02729573

2. Install bolt (11) into bracket (6). Install the washer and bolt (10).
3. Install camshaft (4).
4. Lift camshaft (4) and install bracket (6) as a unit.

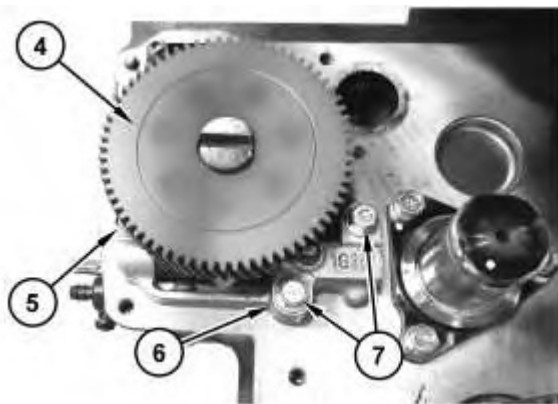


Illustration 4

g02729570

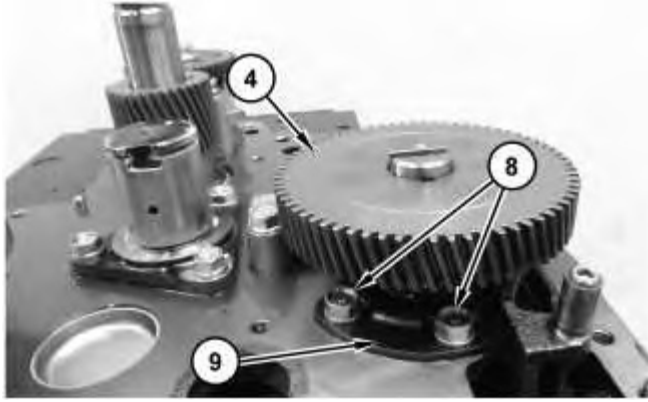


Illustration 5

g02729685

5. Lift camshaft (4). Position bracket (6) and bolt (5).
6. Install bracket (9) and bolts (8).
7. Install bolts (7) and tighten bolt (5) to secure camshaft (4).

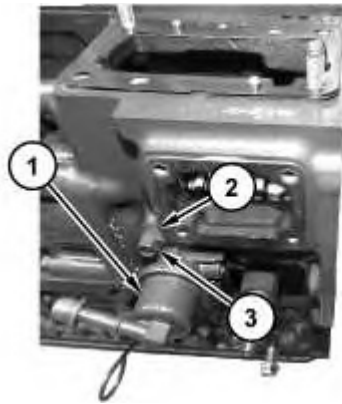


Illustration 6

g02729569

8. Install a new gasket (2) and position supply pump (1). Install bolts (2).

End By:

- a. Install the fuel injection pump.
- b. Install the idler gear.

Product: MINI HYD EXCAVATOR

Model: 303.5E2 CR MINI HYD EXCAVATOR BG8

Configuration: 303.5E 2CR Mini Hydraulic Excavator BG800001-UP (MACHINE) POWERED BY C1.7 Engine

Disassembly and Assembly C1.7, C1.8 and C2.4 Tier 4 Interim and EU Stage 3A Engines for Caterpillar Built Machines

Media Number -UENR0128-11

Publication Date -01/08/2015

Date Updated -09/06/2016

i05243381

Governor and Camshaft - Disassemble

SMCS - 1264-015; 1265-015; 1716-015

Disassembly Procedure

Table 1

Required Tools			
Tool	Part Number	Part Description	Qty
A	8H-0663	Bearing Puller	1

Start By:

- a. Remove governor and camshaft.

NOTICE

Keep all parts clean from contaminants.

Contaminants may cause rapid wear and shortened component life.

Thank you so much for reading.
Please click the “Buy Now!”
button below to download the
complete manual.



After you pay.

You can download the most
perfect and complete manual in
the world immediately.

Our support email:

ebooklibonline@outlook.com