



Service Repair Manual

Models

305E Mini Hydraulic Excavator

Product: MINI HYD EXCAVATOR
Model: 305E MINI HYD EXCAVATOR WDL
Configuration: 305E Mini Hydraulic Excavator WDL00001-UP (MACHINE)

Disassembly and Assembly C1.7, C1.8 and C2.4 Tier 4 Interim and EU Stage 3A Engines for Caterpillar Built Machines

Media Number -UENR0128-11

Publication Date -01/08/2015

Date Updated -09/06/2016

i05243381

Governor and Camshaft - Disassemble

SMCS - 1264-015; 1265-015; 1716-015

Disassembly Procedure

Table 1

Required Tools			
Tool	Part Number	Part Description	Qty
A	8H-0663	Bearing Puller	1

Start By:

- a. Remove governor and camshaft.

NOTICE

Keep all parts clean from contaminants.

Contaminants may cause rapid wear and shortened component life.

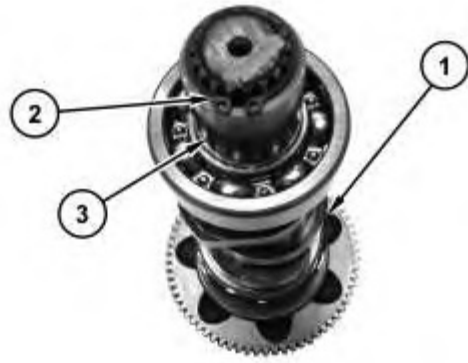


Illustration 1

g02730000

1. Remove retaining ring (2) and sleeve (3) from camshaft (1).
-

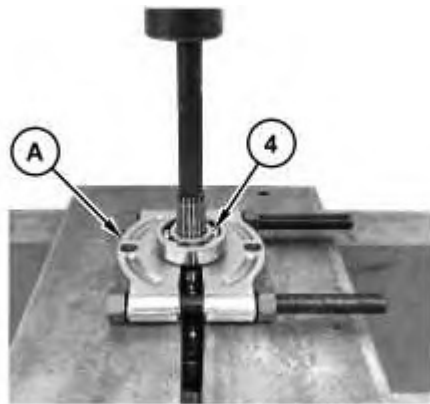


Illustration 2

g02730288

2. Use a suitable press and Tooling (A) to remove bearing (4) from the camshaft.
-

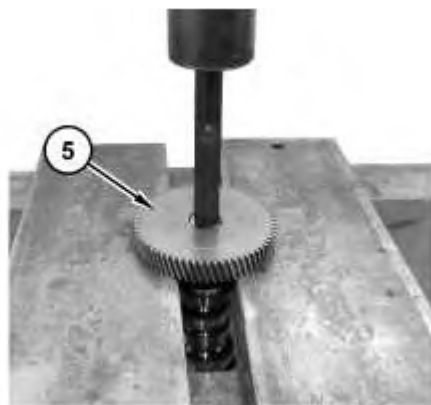


Illustration 3

g02730296

3. Use a suitable press to remove gear (5) from the camshaft.
-



Illustration 4

g02730303

4. Remove key (6) from the camshaft (1).
-

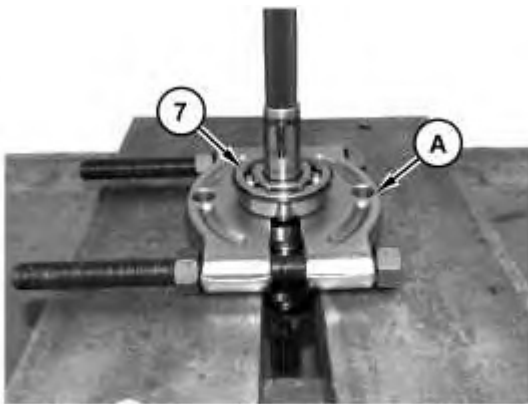


Illustration 5

g02730311

5. Use a suitable press and Tooling (A) to remove bearing (7).
-



Illustration 6

g02730316

6. Remove retaining ring (9) and remove bearing assembly (10) from gear (8).
-



Illustration 7

g02730320

7. Remove retaining ring (12) from the bearing assembly and remove collier (11).
-

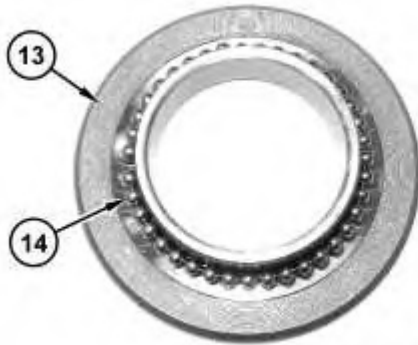


Illustration 8

g02730325

8. Remove bearings (14) from race (13).
-

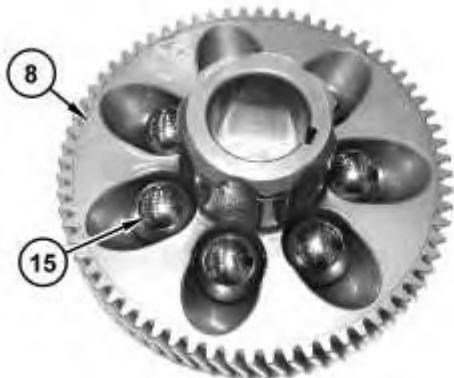


Illustration 9

g02730329

9. Remove ball bearings (15) from gear (8).
-

Thank you so much for reading.
Please click the “Buy Now!”
button below to download the
complete manual.



After you pay.

You can download the most
perfect and complete manual in
the world immediately.

Our support email:

ebooklibonline@outlook.com